



G 160

LIST OF THE EXPLODED VIEWS



SHELL ASSY

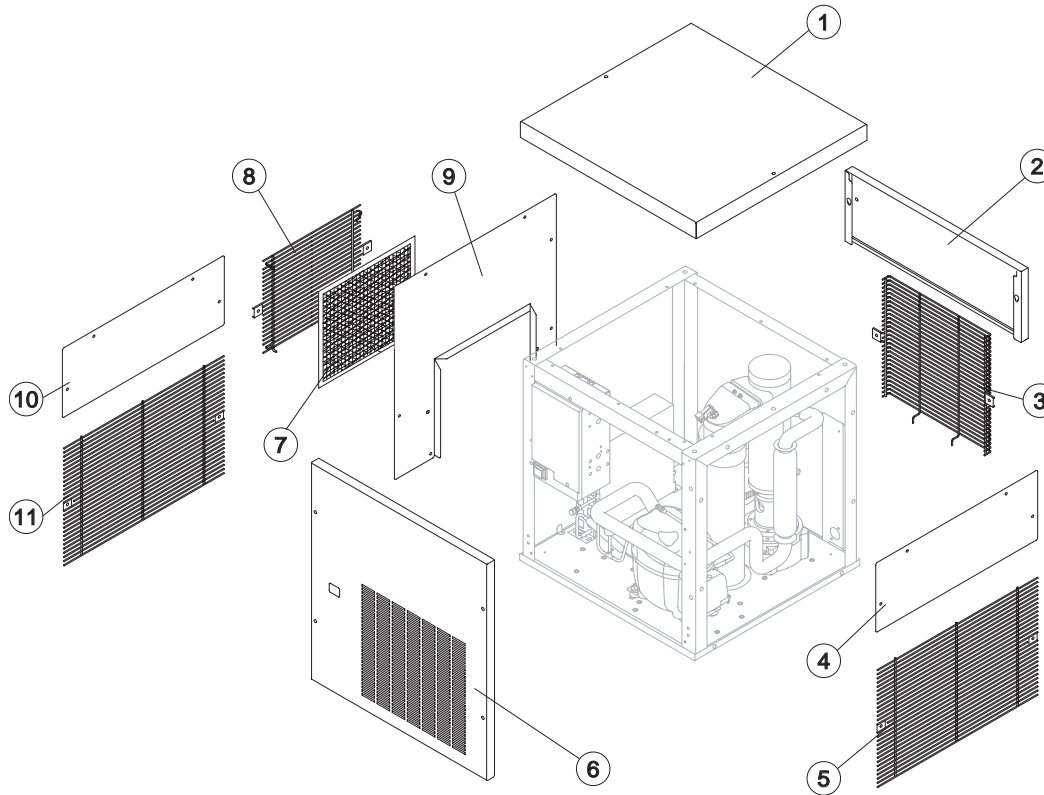
COOLING SYSTEM

EVAPORATOR

HYDRAULIC CIRCUIT

ELECTRIC PARTS

Rev. 2 - 26/02/2018



Common Parts

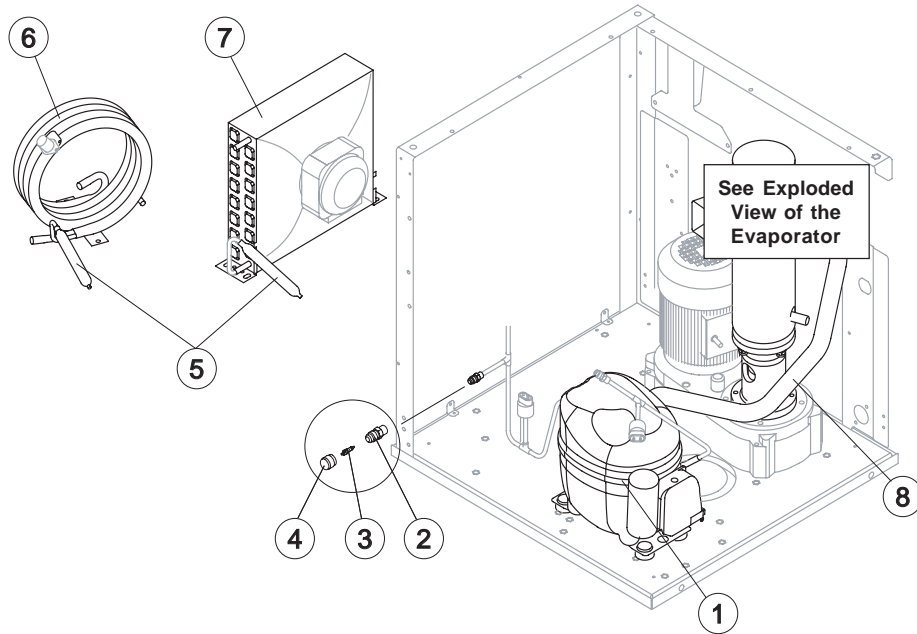
Ref.	Spare Description	Code
1	Top	221518
2	Back Panel	221514
3	Back Grill	D12091
4	Right Side Panel	221516
5	Right Side Grill	D12092
6	Front Panel	221512

Parts for Air-Cooled Version Only

Ref.	Spare Description	Code
7*	Filter	18247
8	Left Side Grill	D12094
9	Left Side Panel	221520

Parts for Water-Cooled Version Only

Ref.	Spare Description	Code
10	Left Side Panel	221516
11	Left Side Grill	D12092



Common Parts

Ref.	Spare Description	Code
1	Compressor	See Table
2	Vacuum-Charge Valve Body	14007
3*	Vacuum-Charge Valve Device	14005
4*	Vacuum-Charge Valve Plug	14006
5*	Molecular Drier	14009
8	Suctin Line	for the spare parts code give us the s/n.

Parts for Air-Cooled Version Only

Ref.	Spare Description	Code
7	Air Condenser	20558

Parts for Water-Cooled Version Only

Ref.	Spare Description	Code
6	Water Condenser	14014

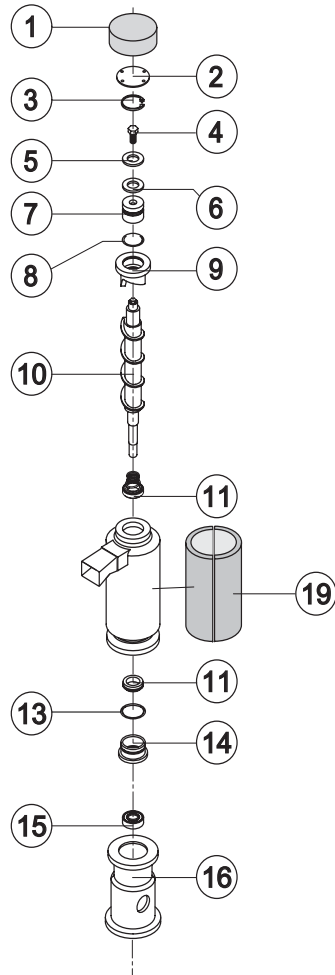
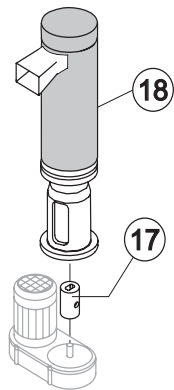
Rif. 1 - Compressor

Voltage	Code
T11	23832
T12	231308



G 160

EVAPORATOR



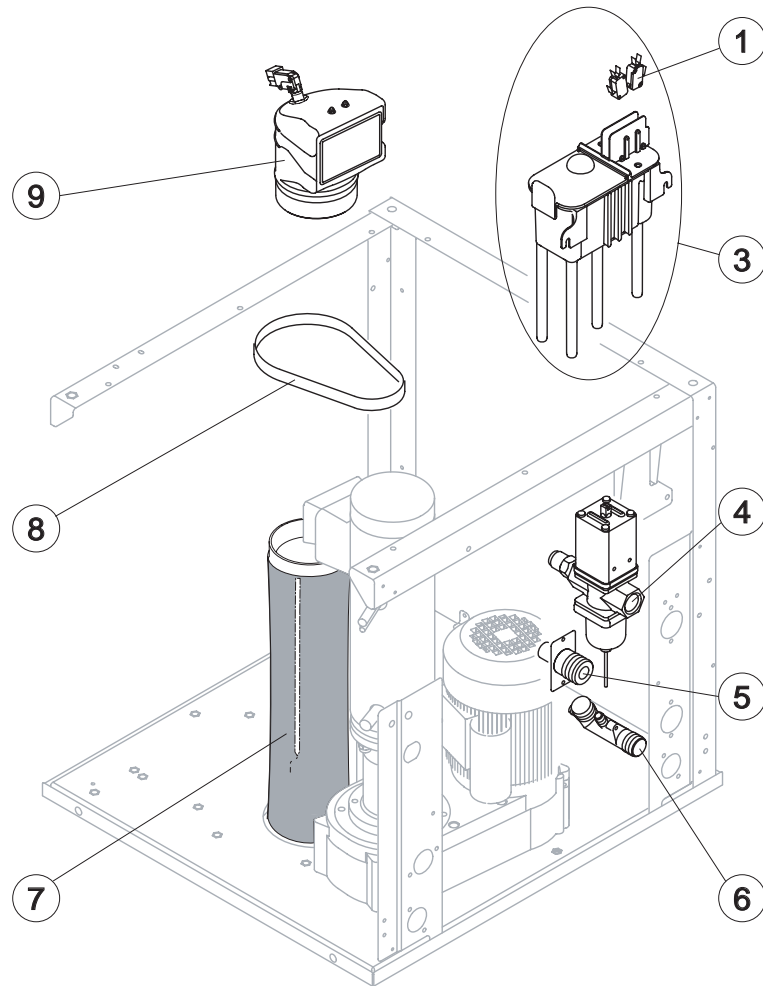
Ref.	Spare Description	Code
1	Insulating Cap	18170
2	Closing Disk	22825
3	Seeger	20043
4	Stainless Steel Screw	20663
5	Shimming Disk	22826
6	Self-Lubricating Disk	20631
7	Stainless Steel Thrust Bearing	20686
8	OR Gasket 3087	20688
9	Ice Breaker	201236
10	Auger	20783
11	Ceramic Seal	20937
13	OR Gasket 3162 NBR70	20429
14	Reduction Ring	20785
15	Stainless Steel Bearing	20782
16	Flange	20629
17	Joint	D20784
18	Evaporator Assy	C11152
19	Insulating Cap	18281

Rev. 2 - 26/02/2018



G 160

HYDRAULIC CIRCUIT



Common Parts

Ref.	Spare Description	Code
1	Microswitch	23055
3*	Double Switch Basin Assembly	C10684
5	Discharges Manifold	10579
7	Ice Outlet Pipe with Bin Bulb Holder	C10655
8	Locking Exhaust Strip	25049
9*	Ice Exhaust with micro Assy	C10585

Parts for Water-Cooled Version Only

Ref.	Spare Description	Code
4	Water regulating valve assembly	R20210
5	Drain manifold	20984



G 160

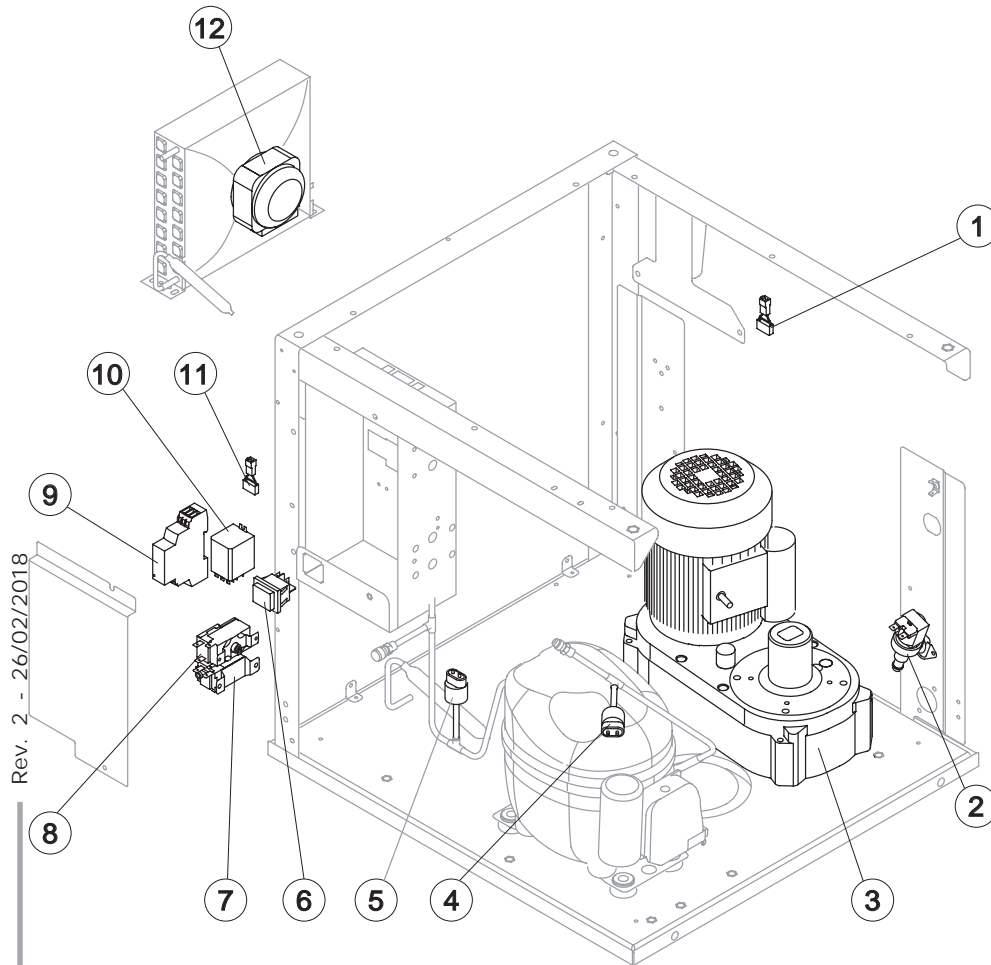
ELECTRIC PARTS

Common Parts

Ref.	Spare Description	Code
1	Anti Radio Interference Filter	T11
2*	1 Way- Water Inlet Valve	23115
3	Gearmotor	231030
4	Evaporator pressure switch	23909
5	HP Safety pressure switch	23960
6*	Green Light Switch (On-Off)	23327
8*	Bin Thermostat	R231035
9*	Electronic Timer	231033
10*	Relay	23190

Parts for Air-Cooled Version Only

Ref.	Spare Description	Code
7*	Condenser Pressure Switch	23175
11	Anti Radio Interference Filter	T11
12*	Fan Motor with Conveyor	231006



Rev. 2 - 26/02/2018