

037179
WWB10G Unit

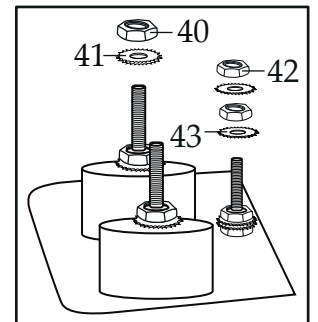
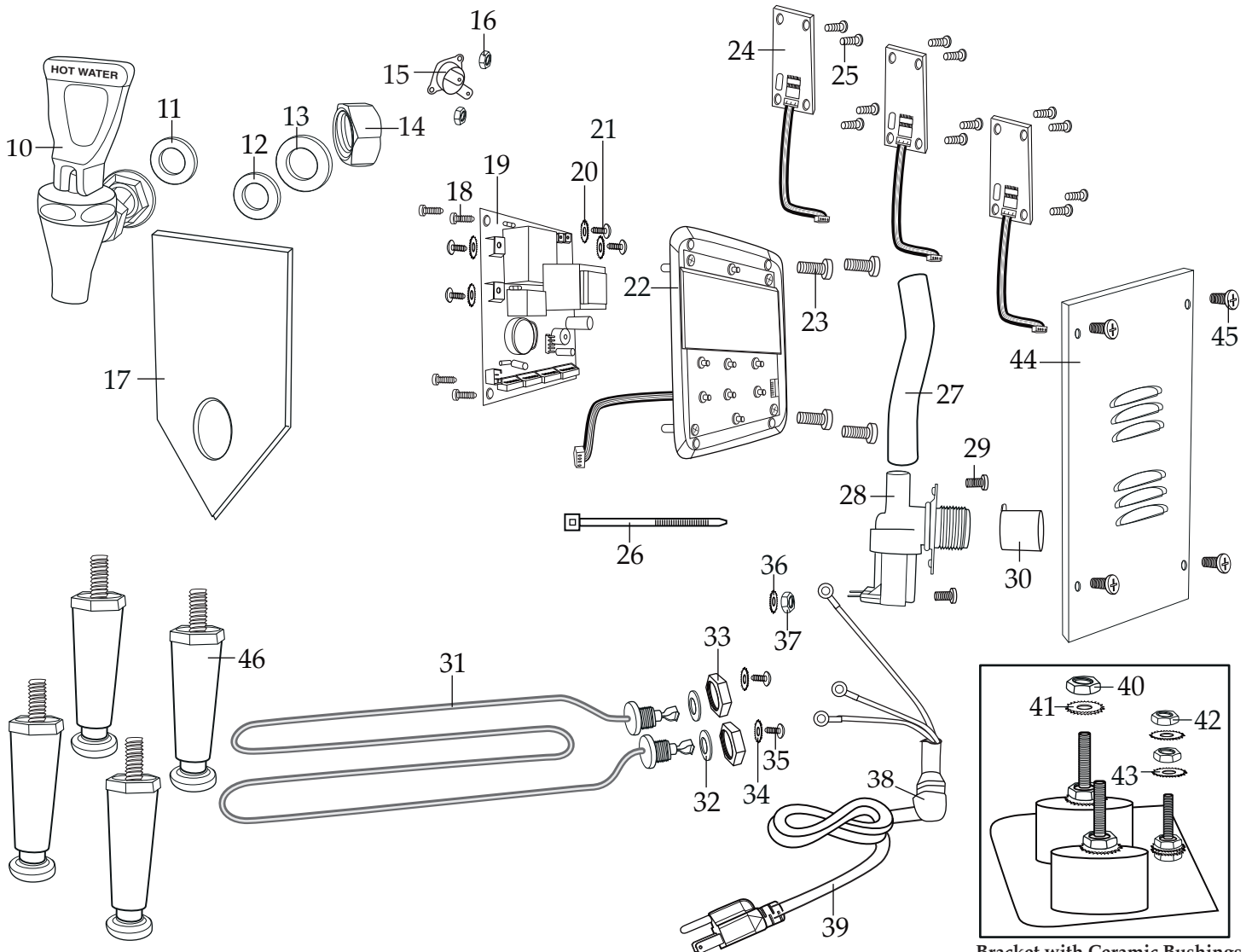
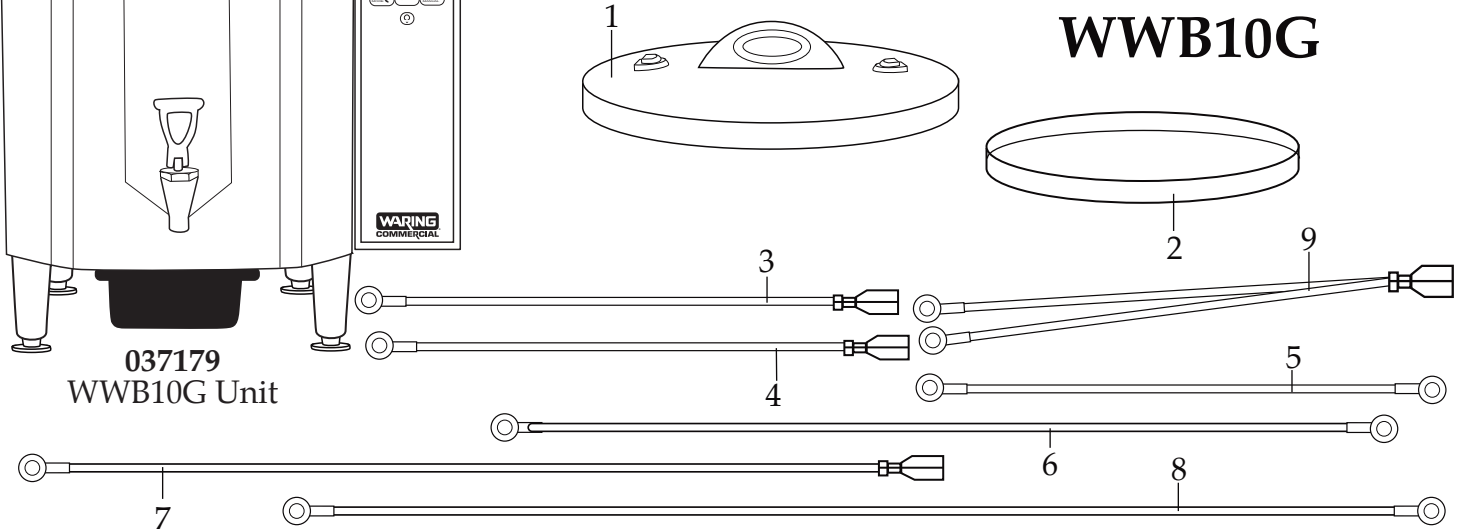
Unit Information

15 Amps - 1800 Watts - 120 Volts
 Temperature range from 150°F - 205°F
 (66°C - 96°C)
 View temperature in Fahrenheit or Celsius
 Legs are adjustable.



10 Gallon Hot Water Dispenser

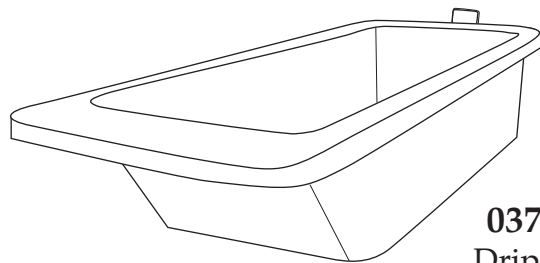
WWB10G



Bracket with Ceramic Bushings

Illustration #	Part #	Description
1	037140	Lid
2	037141	Lid Seal (on unit)
3	037142	8.75" Red Lead (round and regular terminal)
4	037142	8.75" Red Lead (round and regular terminal)
5	037143	8.75" Green/ Yellow Lead (2 round terminals)
6	037144	12.5" Red Lead (2 round terminals)
7	037145	12.5 Red Lead (round and regular terminal)
8	037146	16.5" Blue Lead (2 round terminals)
9	037147	8.625" Blue Double Lead (2 round and regular terminal)
10	037149	Tap (spigot)
11	037150	Tap Seal
12	037150	Tap Seal
13	037151	Stainless Steel Washer
14	037152	Tap Nut
15	037153	Thermal Cut Off
16	037154	Hex Nut (2 required)
17	037155	Face Guard
18	037156	Screw (4 required)
19	037157	PCB Assembly
20	037158	Lock Washer (4 required)
21	037159	Sems (4 required)
22	037160	Control Board Assembly
23	037161	Screw (4 required)
24	037162	Water Level Sensor (3 required)
25	037163	Screw (4 required for each sensor)
26	013731	Wire Ties (4 required)
27	037164	Valve Tube
28	037165	Solenoid Valve

Illustration#	Part#	Description
29	037166	Screw (2 required)
30	037167	Valve Cover
31	037168	Heating Element
32	037169	Element Seal (2 required)
33	037170	Element Hex Nut (2 required)
34	037158	Lock Washer (2 required)
35	037159	Sems (2 required)
36	037158	Ground Lock Washer (attached to unit)
37	037171	Ground Hex Nut (attached to unit)
38	037172	Strain Relief
39	037173	Cord Set
40	037174	Hex Nut (1 on each ceramic bushing)
41	037175	Lock Washer (1 on each ceramic bushing)
42	037171	Ground Hex Nut (2 required ceramic bushing)
43	037158	Ground Lock Washer (2 required ceramic bushing)
44	037176	Side Panel
45	037177	Screw (4 required)
46	037178	Leg (4 required)



037216
Drip Tray