



SHELL ASSY

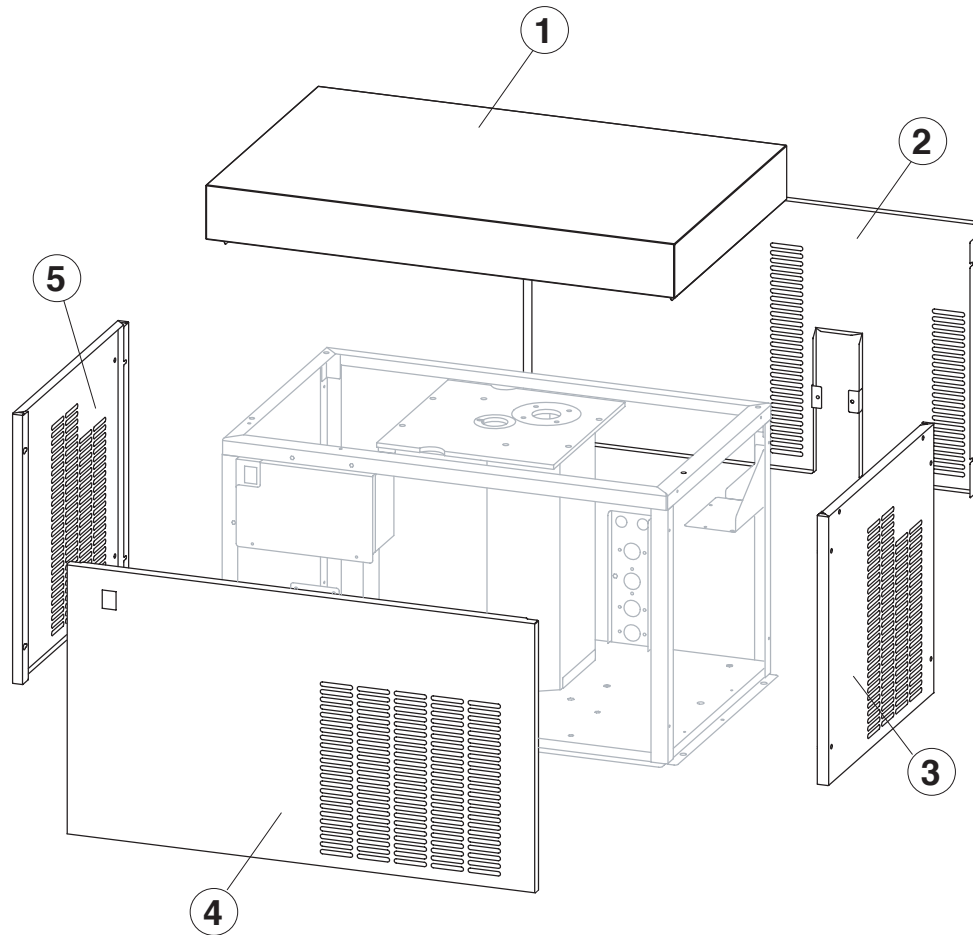
COOLING SYSTEM

EVAPORATOR

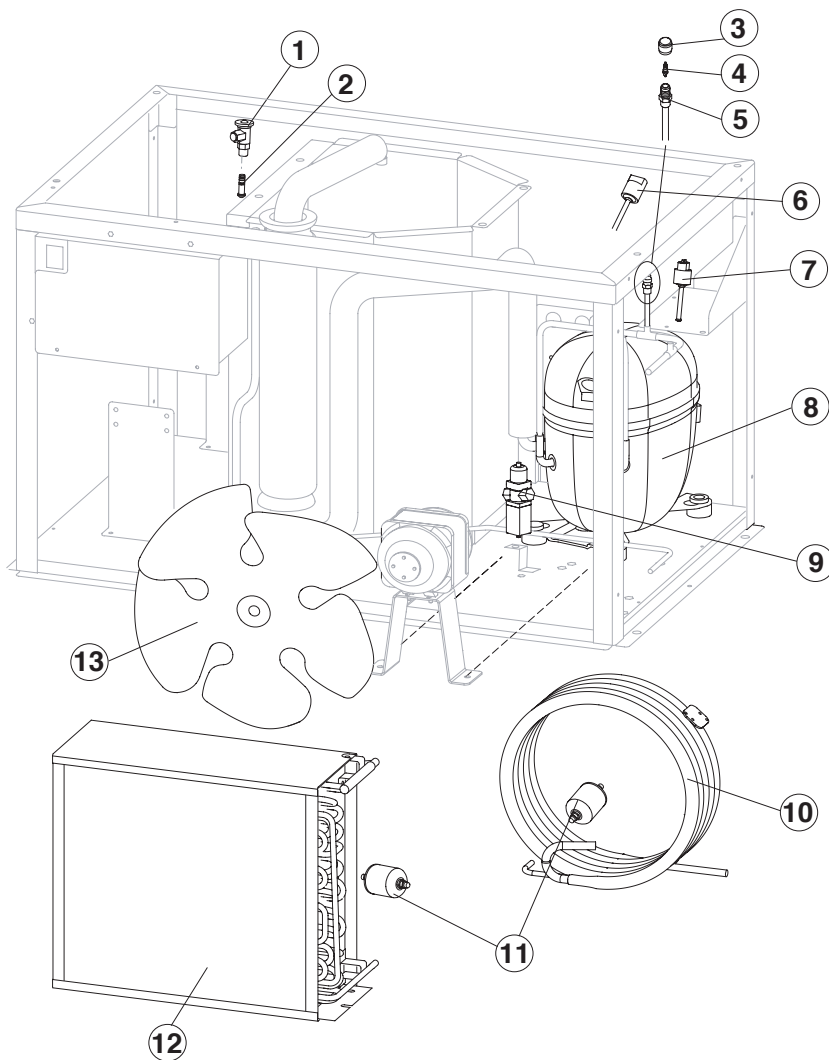
PUMP

HYDRAULIC CIRCUIT

ELETTRIC PARTS



<i>Ref.</i>	<i>Spare Description</i>	<i>Code</i>
1	Top	221294
2	Rear Panel	221293
3	Right Side Panel	221290
4	Front Panel	221292
5	Left Side Panel	221291



Common Parts

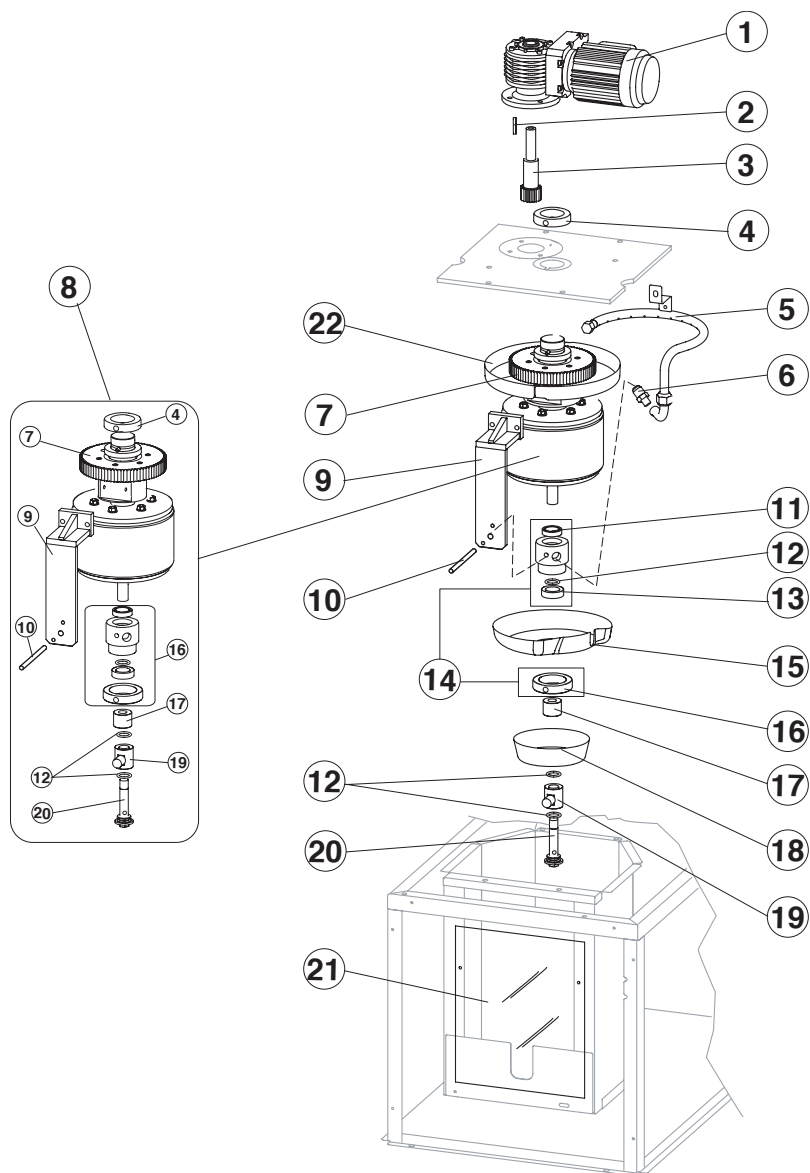
Ref.	Spare Description	Code
1	Expansion Valve	20734
2	Orifice	20943
3*	Vacuum-Charge Valve Plug	14006
4*	Vacuum-Charge Valve Device	14005
5	Vacuum-Charge Valve Body	14007
6	H.P. Pressure safety switch	23960
7	L.P. Pressure safety switch	23909
8	Compressor	23981
11*	Solid Core Drier	14084

Parts for Air-Cooled version Only

Ref.	Spare Description	Code
12	Air Condenser	20924
13	Sucking Fan	20407

Parts for mixed Cooled Version Only

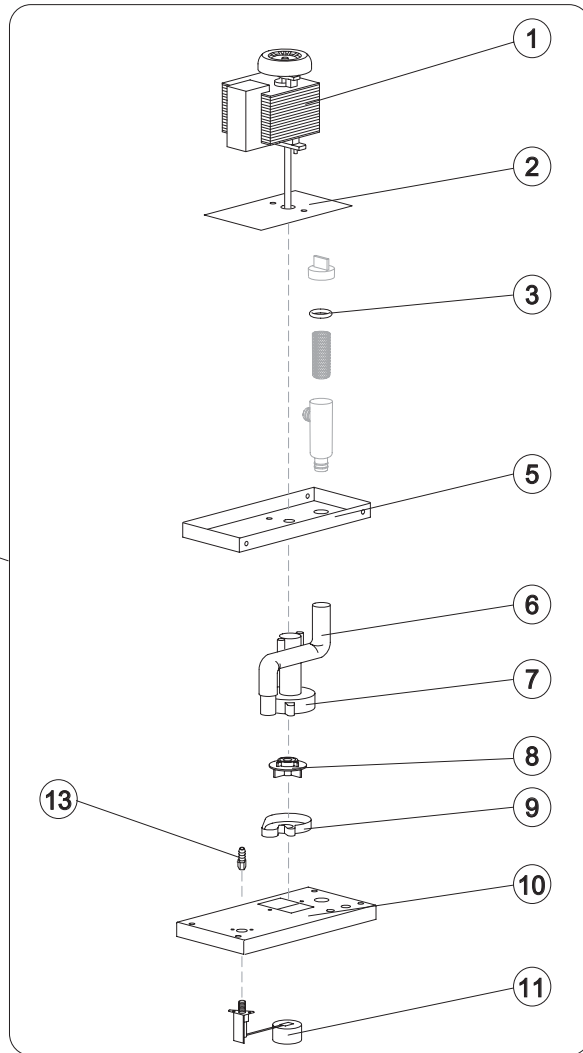
Ref.	Spare Description	Code
9	Pressostatic Valve	20149
10	Water Condenser	14034



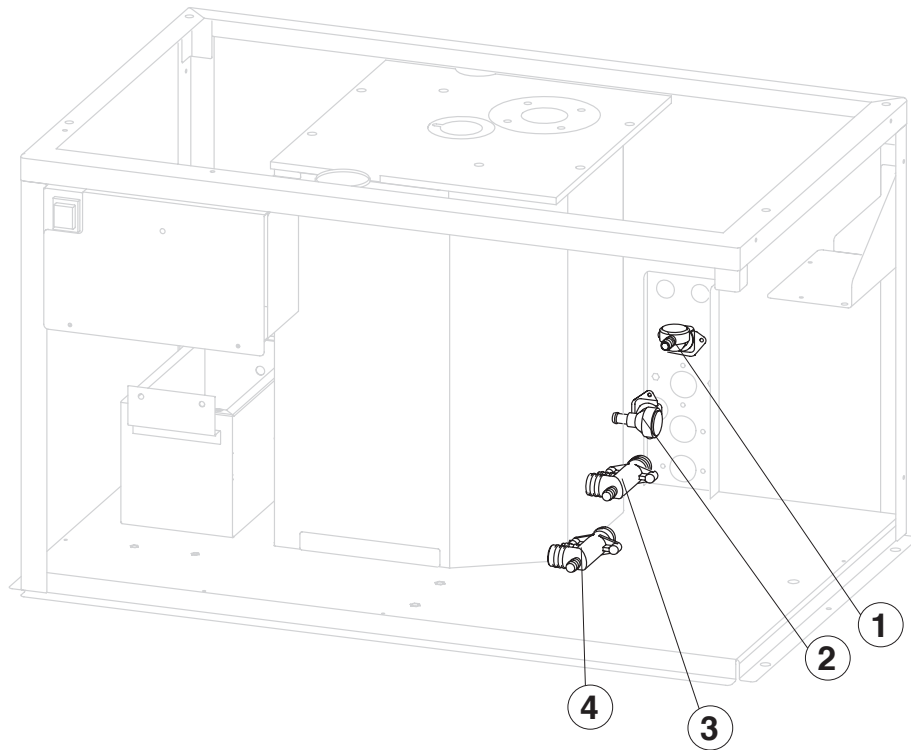
Ref.	Spare Description	Code
1	Gearmotor Assy	C23412
2	Key 6x6x40	20350
3	Pinion with Shaft for Gearmotor	C20344
4	Cylinder locking Ring Nut	20324
5	Sprayer Ring	C201008
7	Ring Gear	20354
6	Joint	20335
8	Evaporator	C201009
9	Scraper	201044
10	Tie Rod (to Block Scraper)	20865
11	Sianless Steel Upper Bearing	20531
12	Guarnizione OR 4081 in Silicone	20338
13	Sianless Steel Upper Bearing	20045
14	Complete Rotating Ring	C10180
15	Rotating Basin	10184
16	Ring Nut for Rotating Ring	10182
17	Spacer	10519
18	Fixed Basin	C10598
19	Water Inlet Ring	20851
20	Screw	20849
21	Evaporator Chamber Shield	10871
22	Ring Gear Cover	C10629



Ref.	Spare Description	Code
1	Pump	23073
2	Heat Dissipator	22430
3	Pump Filter Gastek	13080
5	Pump Motor Support	10161
6	Pump-Filter Connection Pipe	13084
7	Pump Body	10065
8	Pump Impeller	10190
9	Diffusor	10067
10	Water Pump Basin Cover	22420
11*	Floating Valve	10188
13	Connection	20799
14*	Pump and Filter Assy	C26736



Rev. 3 - 26/02/2018

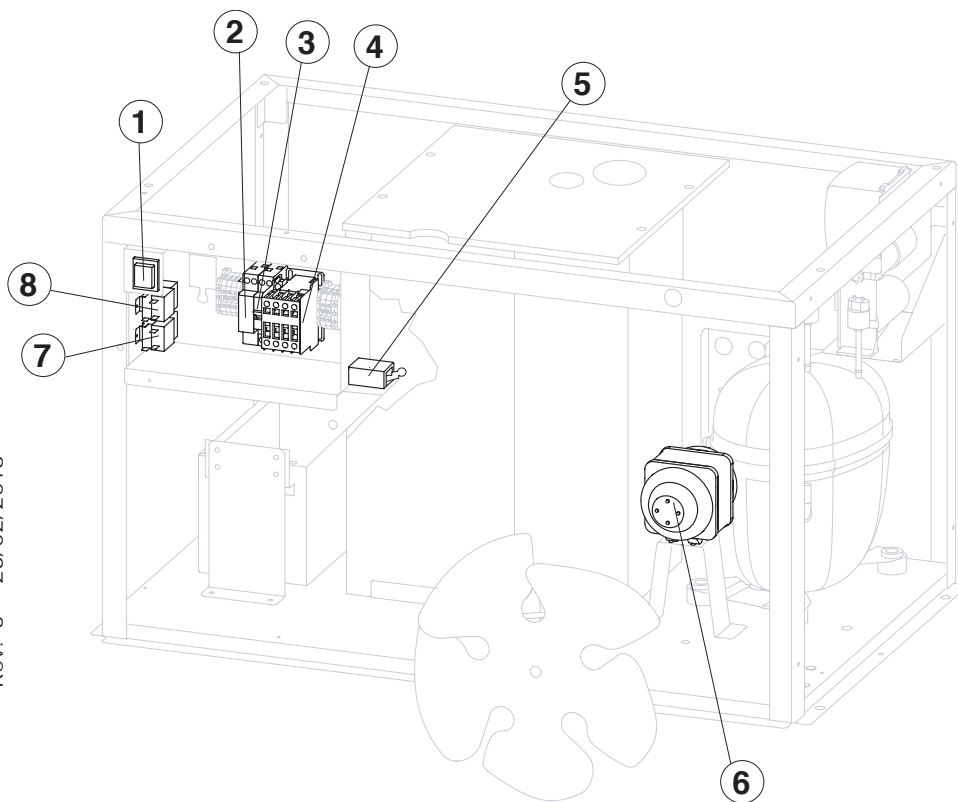


Commons Parts

Ref.	Spare Description	Code
1	Water Inlet Nipple	10368
4	Discharg Manifold	10579

Parts for mixed Cooled Version Only

Ref.	Spare Description	Code
2	Water Inlet Nipple	10239
3	Discharg Manifold	10580



Commons Parts

Ref.	Spare Description	Code
1*	Swiith on-off	23327
2	Electronic Delay Timer	231033
3	Thermomagnetic circuit breaker	23910
4*	Contactor	23147
5	Microswitch for Overflow Ice	23746
7*	Bin Thermostat	R23421
8	Safety Thermostat	R23005

Parts for Air-Cooled version Only

Ref.	Spare Description	Code
6*	Fan Motor	23121