

Instruction manual
Инструкция по эксплуатации

Electric kettle BR1015
Электрический чайник BR1015



СОДЕРЖАНИЕ

EN.....	3
DE.....	11
RU.....	21
KZ.....	30

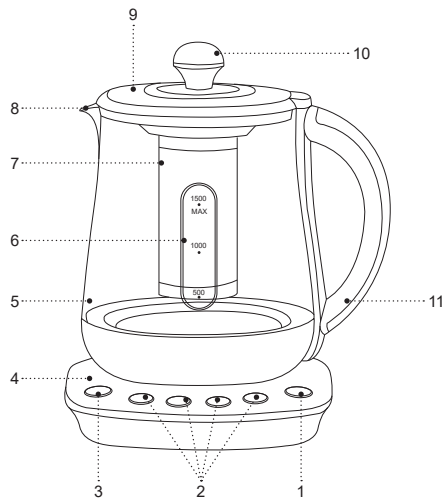
ELECTRIC KETTLE BR1015

The liquid heating appliance (kettle) is intended for heating and boiling drinking water only.

1. «ON/OFF» button
2. Temperature selection buttons «40-70-85-100°C»
3. Keep warm mode button «KEEP WARM»
4. Base
5. Flask
6. Water level scale
7. Detachable tea infuser
8. Spout
9. Lid
10. Lid handle
11. Handle

ATTENTION!

For additional protection it is reasonable to install a residual current device (RCD) with nominal operation current not exceeding 30 mA into the mains. To install RCD, contact a specialist.



SAFETY MEASURES AND OPERATION RECOMMENDATIONS

Read the operation instructions carefully before using the unit, after reading keep it for future reference.

- Use the electric kettle for its intended purpose only, as it is stated in this manual.
- Mishandling the kettle can lead to its breakage and cause harm to the user or damage to his/her property and it is not covered by warranty.
- The kettle is intended for heating and boiling drinking water only, do not heat or boil any other liquids.
- Make sure that operating voltage of the electric kettle indicated on the label corresponds to your home mains voltage.
- The kettle should be always grounded. In case of short circuit, grounding reduces the risk of electric shock.
- The power cord is equipped with a «europug»; plug it only into the mains socket with reliable grounding contact.
- Contact an electrical technician, if you are not sure that your sockets are installed properly and grounded.
- To prevent fire do not use adapters designed for connecting the plug to the mains socket without grounding contact.
- In case of sparking and occurrence of smell of burning, unplug the unit and apply to the organization maintaining your home mains.
- If smoke appears from the flask or the body of the kettle, unplug the unit, do not open the kettle lid, take measures to prevent fire spreading. Apply to the service center for testing or repairing the kettle.
- Do not use the electric kettle outdoors.
- It is recommended not to use the unit during lightning storms.
- Do not place any foreign objects on the kettle.
- Protect the unit from blows, drops, vibrations and other mechanical stress.
- Never leave the plugged-in electric kettle unattended.
- Do not use the electric kettle in proximity to kitchen sink, in bathrooms, near swimming pools or other containers filled with water.
- If the unit is dropped into water, unplug it immediately, and only then you can take the unit out of water.
- Do not use the electric kettle near heating appliances, heat sources or open flame.
- Do not use the electric kettle in places where aerosols are used or sprayed, and in proximity to inflammable liquids.
- Place the electric kettle on a flat stable surface; do not place it on the edge of a table. Do not let the power cord hang from the table and make sure it does not touch hot surfaces and sharp edges of furniture.

- Do not direct the kettle spout at wooden furniture, books and objects which can be damaged by moisture or hot steam.
- Do not touch the power cord and power plug with wet hands.
- Do not switch the kettle on without water, after the kettle is filled, close the lid tightly.
- Ensure that water level in the kettle is not above the maximal mark «MAX», which is situated inside the kettle flask. If the water level exceeds the maximal mark, boiling water can splash out of the kettle during boiling.
- To avoid burns by hot steam, do not bend over the kettle spout.
- Do not open the kettle lid while water boiling.
- The surface of the kettle may have rather high temperature. Be cautious and careful when in contact with heated surfaces of the kettle. Take the kettle by the handle.
- Be careful while carrying the kettle filled with boiling water. Be careful when you pour water out of the kettle, do not tilt the kettle sharply, in case of careless use of the kettle, you can get burns by hot water.
- Unplug the kettle before cleaning or when you are not using it. When unplugging the unit hold only the power plug and carefully remove it from the mains socket, do not pull the cord — this can lead to damage of the cord or the socket and cause short circuit.
- To avoid electric shock do not immerse the electric kettle into water or any other liquids.
- Do not wash the electric kettle in a dishwashing machine.
- For children safety reasons do not leave polyethylene bags, used as a packaging, unattended.

ATTENTION!

Do not allow children to play with polyethylene bags or packaging film. **Danger of suffocation!**

- The electric kettle is not intended for usage by children.
- Do not leave children unattended to prevent using the unit as a toy.
- Do not allow children to touch the unit and the power cord during the electric kettle operation.
- Place the unit out of reach of children during the operation and cooling down.
- This unit is not intended for usage by physically or mentally disabled persons (including children) or by persons lacking experience or knowledge if they are not under supervision of a person who is responsible for their safety or if they are not instructed by this person on the usage of the unit.
- Periodically check the integrity of the power cord, the power plug and the kettle body.
- If the power cord is damaged, it should be replaced by the manufacturer, a maintenance service or similar qualified personnel to avoid danger.

- Do not repair the unit by yourself. Do not disassemble the unit by yourself, if any malfunction is detected, and after it was dropped, unplug the unit and apply to the service center.
- Transport the kettle in the original package.
- Keep the unit out of reach of children and disabled persons.

THE UNIT IS INTENDED FOR HOUSEHOLD USE ONLY, DO NOT USE THE UNIT FOR COMMERCIAL OR LABORATORY PURPOSES.

BEFORE USING THE KETTLE

After unit transportation or storage at low temperature, it is necessary to keep it for at least three hours at room temperature.

- Unpack the kettle and remove all the packaging materials.
 - Keep the original package.
 - Read the safety measures and operating recommendations.
 - Check the delivery set.
 - Examine the kettle for damages, in case of damage do not plug it into the mains.
 - Make sure that the specifications of power supply voltage specified on the lower panel of the unit or the base correspond to the specifications of your mains. When using the kettle in the mains with 60 Hz frequency, the unit does not need any additional settings.
- Wipe the base (4), the outer and inner surfaces of the flask (2) with a clean, slightly damp cloth to remove dust.

ATTENTION! Be careful while handling the kettle, glass flask can break when the kettle is dropped or hit against a solid object.

- Place the base (4) on a solid steady flat and non-slip non-metal surface away from heat sources as far as possible from the edge of the surface.
- Do not place and do not use the kettle in closed space, for example, in the cupboard or in closed structures — this can lead to its breakage, cause harm to the user or damage to his/her property.
- Take the handle (10), pull it upwards and remove the lid (9).
- Remove the tea infuser (7) from the lid (9). To do this, move the tea infuser (7) to the holder-free side.
- Wipe the lid (9) and wash the tea infuser (7) with the neutral detergent solution, rinse and dry.
- Wash the flask (5) with neutral detergents, rinse and dry. Wipe the outer surface of the flask (5) with a slightly damp cloth and then wipe it dry. Do not use abrasives and coarse scourers for this.
- Before connecting the kettle, make sure that there are no moisture drops on the base (4), the flask (5), the power cord and the power plug.
- Fill the kettle with water up to the «MAX» mark (6), according to the scale situated on the outer surface of the flask (5).

- Install the lid (9), make sure that the kettle lid is closed tightly.

Note: it is recommended to install the tea infuser (7) in the lid (9) during the first boiling of water.

- Place the kettle on the base (4).
- Insert the power cord plug into the mains socket, you will hear a sound signal.

STANDBY MODE.

- The button «100°C» illumination will light up blue and start flashing. Press the «ON/OFF» button (1), the button (1) illumination will light up red and the boiling will start.
- When the water starts boiling, you will hear sound signals, the button «100°C» illumination will glow blue, the «ON/OFF» button (1) illumination will glow green.

Note: after the water boiling the button illumination will go out in 5 minutes.

- Remove the kettle from the base and carefully pour out boiled water into a suitable bowl.
- Remember that there is boiling water inside the kettle flask (5), always hold the kettle only by the handle (11), do not tilt the kettle sharply, in case of careless use of the kettle you can get burns by hot water.
- Repeat the water boiling procedure several times.

ATTENTION! To avoid burns by hot steam, do not bend over the spout (8).

- Hot water resulting from the first boilings is not recommended to consume, you may use it for domestic needs.

USING THE ELECTRIC KETTLE

- Place the kettle on a solid steady flat and non-slip non-metal surface away from heat sources as far as possible from the edge of the surface.

WATER BOILING

- Take the handle (10), pull it upwards and remove the lid (9).
- Fill the kettle with water not below the mark «MIN» and not above the maximal mark «MAX» (6).
- Close the lid (9) and put the full kettle on the base (4).

Note: if you are not going to brew the tea directly in the kettle flask (5), do not install the tea infuser (7) in the lid (9).

- Insert the power cord plug into the mains socket, you will hear a sound signal, button «100°C» illumination will light up blue and start flashing.
- Press the «ON/OFF» button (1), the «ON/OFF» button (1) illumination will light up red and the boiling process will start.
- When the water starts boiling, you will hear sound signals, the button «100°C» illumination will glow blue, the «ON/OFF» button (1) illumination will glow green.
- If it is necessary to switch the kettle off, press the On/Off button (1) «ON/OFF».

HEATING THE WATER UP TO PRESET TEMPERATURE

- You can warm up water up to the required temperature. For making different tea varieties the special water temperature is required.
- It is recommended to use the water temperature 40°C – baby food, 70 °C for white and green tea, 85 °C for instant coffee, 90-100 °C for black tea.
- Press one of the buttons (9) for temperature selection 40 °C ,70 °C, 85 °C, 100 °C and press the button illumination will light up blue and start flashing, the «ON/OFF» button (1) illumination will light red, the heating element will switch on and the water will be heated up to the preset temperature.
- When the preset temperature level is reached, you will hear sound signals, the buttons illumination will go out.
- If it is necessary to switch the heating function off, press the On/Off button (1) «ON/OFF».

KEEP WARM FUNCTION

Notes:

- the function allows to maintain the preset water temperature within 2 hours without reboiling. At the end of this time keep warm mode switches off automatically.
- operating mode of warm keeping is periodical, if the water temperature in the kettle flask cools down by 5 degrees, the boiling mode will switch on, and

after boiling the water will cool down to the preset temperature.

- Press one of the buttons (9) for temperature selection 40 °C ,70 °C, 85 °C , the button illumination will light up blue and start flashing. Press the «ON/OFF» button (1), the «ON/OFF» button (1) illumination will light up red and the heating element will switch on. Press the keep warm mode button (3) «KEEP WARM», the button (3) «KEEP WARM» will light up blue.
- After the water boils, you will hear a sound signal and the kettle will switch to the keep warm mode, if the water temperature drops by 5 degrees, the reboiling will start and after that the keep warm mode will switch on.

Note: when you set the water temperature maintaining at 100°C, the reboiling will start at the water temperature 85°C.

- If it is necessary to switch the heating function off, press the keep warm mode (3) «KEEP WARM» On/Off button.

Notes:

- if you remove the kettle from the base for the time less than 1 minute, the keep warm mode will stay on.
- if the kettle is removed for a longer time, you will hear a sound signal, and heating mode will be switched off.
- in the keep warm mode 100 °C it is inactive.
- If you accidentally switched the kettle on, but the water level appeared to be below the minimal mark, the automatic thermal switch will be on and the kettle will switch off. In this case take the kettle from the base (4) and let it cool down for 10-15 minutes, then fill the

kettle with water and switch it on, the electric kettle will operate in normal mode.

MAKING TEA

- Take the handle (10), pull it upwards and remove the lid (9).
- Put the necessary amount of tea leaves in the tea infuser (7) and install the tea infuser (7) in the inner surface of the lid (9), make sure that the tea infuser (7) is fixed properly.
- Fill the kettle with water not below the mark «MIN» and not above the maximal mark «MAX» on the scale (6).
- Press the button (2) «40-70-85-100°C» to select the necessary water heating temperature for a particular kind of tea (see the chapter «HEATING WATER UP TO THE REQUIRED TEMPERATURE»).
- Switch the kettle on by pressing the «ON/OFF» button (1).
- After the use wait until the kettle cools down, remove the lid (9), remove the tea infuser (7) and wash the tea infuser (7) under running water. Over time, a dark coating may form on the tea infuser (7), you can remove it with baking soda. Moisten a cloth with water, sprinkle a small amount of baking soda on it and wipe the tea infuser (7) from the outside and inside, after removing the coating rinse the tea infuser (7) and dry.

CLEANING AND MAINTENANCE

- Before cleaning disconnect the kettle from the mains, pour out water and let the kettle cool down.

- Wipe the base (4) and the outer surface of the flask (5) with a slightly damp cloth, and then wipe the base (4) and the flask (5) dry. Use soft detergents to remove dirt; do not use metal sponges and abrasive detergents and solvents.
- Do not immerse the electric kettle into water or any other liquids, do not wash it in the dishwasher.

DESCALING

- Scale, appearing inside the flask (5), influences the water taste and disturbs the heat exchange between water and the heating element and also creates a risk of failure of the heating element, the burnout of the heating element because of large amount of scale in the flask (5) is not covered by warranty.
- To remove scale, you can use special scale-removing agents, as well as household ones, for example, vinegar or citric acid.
- To remove scale, fill the flask (5) with water one-third full and boil it. Open the lid and add table vinegar (6-9%) to the «MAX» mark, leave the liquid in the kettle for several hours. After the scale dissolves, pour out the liquid and rinse the flask (5) several times. To oust the smell of vinegar, boil water several times.
- Dissolve 25 g of citric acid in 500 ml of hot water.
- Fill the kettle with the prepared solution and leave for 15-30 minutes.
- Pour out the liquid and rinse the flask (5) several times, boil water several times.

- You can use special detergents for electric kettles or coffee machines to remove scale, strictly following the instructions on their usage which should be placed on the packing of the detergent or in supplemental materials provided by the seller.
- Clean the kettle from scale regularly.

STORAGE

- Before taking the kettle away for long storage, unplug it, pour out water and let the unit cool down.
- Clean the base (4) and the flask (5).
- Keep the kettle in a dry cool place out of reach of children and disabled persons.

DELIVERY SET

1. Electric kettle — 1 pc.
2. Base — 1 pc.
3. Manual — 1 pc.

TECHNICAL SPECIFICATIONS

- Supply voltage: 220-240 V, ~ 50/60 Hz
- Rated input power: 2200 W
- Maximum water capacity: 1.5 l

RECYCLING



To prevent possible damage to the environment or harm to the health of people by uncontrolled waste disposal, after expiration of the service life of the unit or the batteries (if included), do not discard them with usual household waste, but take the

unit and the batteries to specialized stations for further recycling.

The waste generated during the recycling of the unit is subject to mandatory collection and consequent recycling in the prescribed manner.

For further information about recycling of this product, apply to the local municipal administration, a household waste recycling service or to the shop where you purchased this product.

The manufacturer reserves the right to change the appearance, design and specifications not affecting the general operation principles of the unit, without prior notice.

The unit operating life is 3 years

The manufacturing date is specified in the serial number.

In case of any malfunctions, promptly apply to the authorized service center.

WASSERKOCHER BR1015

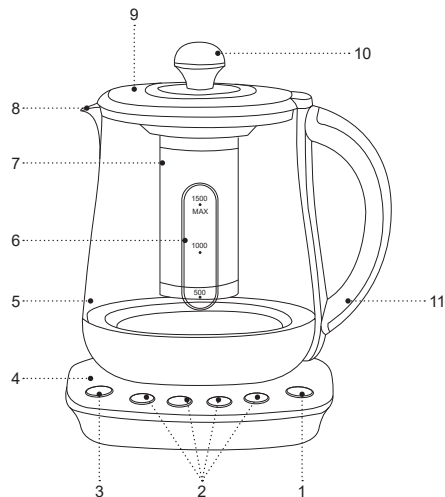
Das elektrische Gerät zum Erhitzen von Flüssigkeit (Wasserkocher) ist nur zum Erhitzen und Kochen von Trinkwasser bestimmt.

BESCHREIBUNG

1. Ein-/Ausschalttaste «ON/OFF»
2. Wassertemperaturwahlkosten «40-70-85-100°C»
3. Ein-/Ausschalttaste des Temperaturhaltungsbetriebs «KEEP WARM»
4. Untersatz
5. Behälter
6. Wasserstandsanzeiger
7. Abnehmbares Teesieb
8. Tülle
9. Deckel
10. Deckelgriff
11. Griff

ACHTUNG!

Für zusätzlichen Schutz wird empfohlen, einen Fehlerstromschutzschalter (FSS) mit einer Ansprechnennstromstärke von nicht mehr als 30 mA im Stromkreis aufzustellen. Um einen FSS aufzustellen, wenden Sie sich an einen Spezialisten.



SICHERHEITSHINWEISE UND GEBRAUCHSANLEITUNG

Bevor Sie Ihr Gerät benutzen, lesen Sie bitte zuerst die Sicherheitshinweise und die Gebrauchsanleitung aufmerksam durch, bewahren Sie sie zum späteren Gebrauch auf.

- Verwenden Sie den Wasserkocher nur bestimmungsgemäß, wie es in dieser Gebrauchsanleitung beschrieben ist.
- Der Missbrauch des Wasserkochers kann zu Schäden führen, den Benutzer oder sein Eigentum beschädigen und ist kein Garantiefall.
- Der Wasserkocher ist nur zum Erhitzen und Kochen von Trinkwasser vorgesehen, es ist verboten, andere Flüssigkeiten zu erhitzen oder zu kochen.
- Stellen Sie sicher, dass die auf dem Bezeichnungszettel angegebene Betriebsspannung des elektrischen Wasserkochers der Spannung der Netzversorgung entspricht.
- Der Wasserkocher muss unbedingt geerdet werden. Im Falle eines Kurzschlusses reduziert die Erdung das Risiko eines elektrischen Schlages.
- Das Netzkabel ist mit einem «Eurostecker» ausgestattet; stecken Sie ihn nur in eine Steckdose, die einen zuverlässigen Erdungskontakt hat.
- Wenden Sie sich an einen Elektriker, wenn Sie sich nicht sicher sind, ob Ihre Steckdosen richtig installiert und geerdet sind.
- Verwenden Sie keine «Übergangsstücke», die zum Anschließen des Netzsteckers an eine Steckdose ohne Erdkontakt bestimmt sind, um Feuer zu vermeiden.
- Bei Funkenbildung und Brandgeruch, ziehen Sie das Netzstecker aus der Steckdose, und wenden Sie sich an den Dienst, der Ihr Hausleitungsnetz bedient.
- Wenn Rauch aus dem Wasserbehälter oder aus dem Gehäuse des Wasserkochers auftritt, ziehen Sie den Netzstecker aus der Steckdose, öffnen Sie den Deckel des Wasserkochers nicht, treffen Sie Maßnahmen, um das Feuer nicht zu verbreiten. Wenden Sie sich bitte an einen Kundendienst, um den Wasserkocher prüfen oder reparieren zu lassen.
- Es ist nicht gestattet, den Wasserkocher draußen zu benutzen.
- Es ist nicht empfohlen, das Gerät bei Gewitter zu benutzen.
- Stellen Sie keine Fremdgegenstände auf den Wasserkocher.
- Schützen Sie das Gerät vor Stößen, Stürzen, Vibrationen und anderen mechanischen Einwirkungen.
- Lassen Sie den ans Stromnetz angeschlossenen Wasserkocher nie unbeaufsichtigt.
- Benutzen Sie den Wasserkocher in der Nähe von Spülbecken, in Badezimmern und neben den Wasserbecken oder anderen mit Wasser gefüllten Behältern nicht.
- Falls das Gerät ins Wasser gefallen ist, ziehen Sie den Netzstecker aus der Steckdose sofort heraus, erst danach holen Sie das Gerät aus dem Wasser heraus.

- Benutzen Sie den Wasserkocher in direkter Nähe von Heizgeräten, Wärmequellen oder offenem Feuer nicht.
- Es ist verboten, den Wasserkocher an den Orten, wo Sprays verwendet werden, sowie in der Nähe von leichtentzündbaren Flüssigkeiten, zu verwenden.
- Stellen Sie den Wasserkocher auf eine ebene standfeste Oberfläche auf, stellen Sie ihn an den Tischrand nicht auf. Achten Sie darauf, dass das Netzkabel vom Tisch nicht herabhängt und heiße Oberflächen und scharfe Möbelkanten nicht berührt.
- Es ist nicht gestattet, die Tülle des Wasserkochers auf Holzmöbel, Bücher und Gegenstände zu richten, die durch Feuchtigkeit oder heißen Dampf beschädigt werden können.
- Berühren Sie das Netzkabel und den Stecker mit nassen Händen nicht.
- Schalten Sie den Wasserkocher nicht ohne Wasser ein, nachdem der Wasserkocher gefüllt ist, klappen Sie den Deckel fest.
- Achten Sie darauf, dass der Wasserstand im Wasserkocher nicht höher als die maximale Markierung «MAX» ist, die innerhalb des Wasserbehälters angebracht ist. Falls der Wasserstand über der maximalen Marke ist, kann sich das kochende Wasser aus dem Wasserkocher während des Kochens ausgießen.
- Beugen Sie sich über der Tülle während des Wasserkocherbetriebs nicht, um Dampfverbrühung zu vermeiden.
- Öffnen Sie den Deckel des Wasserkochers während des Wasserkochens nicht.
- Die Oberfläche des Wasserkochers kann eine ziemlich hohe Temperatur haben. Beim Kontakt mit heißen Oberflächen des Wasserkochers sollen Sie vorsichtig und sorgfältig sein. Fassen Sie den Wasserkocher am Griff an.
- Seien Sie beim Tragen des mit siedendem Wasser gefüllten Wasserkochers vorsichtig. Gießen Sie das Wasser aus dem Wasserkocher vorsichtig, kippen Sie den Wasserkocher nicht scharf. Wenn Sie den Wasserkocher nachlässig verwenden, können Sie eine Verbrühung mit heißem Wasser bekommen.
- Trennen Sie den Wasserkocher vor der Reinigung oder wenn Sie ihn nicht benutzen vom Stromnetz ab. Wenn Sie das Gerät vom Stromnetz abtrennen, halten Sie den Netzstecker fest und ziehen Sie ihn aus der Steckdose vorsichtig heraus; ziehen Sie das Netzkabel nicht, da es zu seiner Beschädigung und einem Kurzschluss führen kann.
- Tauchen Sie den Wasserkocher ins Wasser oder andere Flüssigkeiten nicht, um das Stromschlagrisiko zu vermeiden.
- Es ist nicht gestattet den Wasserkocher in der Spülmaschine zu waschen.
- Aus Kindersicherheitsgründen lassen Sie Plastiktüten, die als Verpackung verwendet werden, nie ohne Aufsicht.

ACHTUNG!

Lassen Sie Kinder mit Plastiktüten oder Verpackungsfolien nicht spielen. **Erstickungsgefahr!**

- Der Wasserkocher ist nicht für Gebrauch von Kindern geeignet.
- Beaufsichtigen Sie Kinder, damit sie das Gerät als Spielzeug nicht benutzen.
- Lassen Sie Kinder das Gerät und das Netzkabel während des Betriebs vom Wasserkocher nicht berühren.
- Während des Betriebs und des Abkühlens stellen Sie das Gerät an einen für Kinder unzugänglichen Ort auf.
- Dieses Gerät ist für Personen (darunter Kinder) mit Körper-, Nerven- und Geistesstörungen oder Personen ohne ausreichende Erfahrung und Kenntnisse nicht geeignet, wenn sie sich unter Aufsicht der Person, die für ihre Sicherheit verantwortlich ist, nicht befinden oder entsprechende Anweisungen über die Nutzung des Geräts nicht bekommen haben.
- Überprüfen Sie regelmäßig den Zustand des Netzkabels, des Netzanschlusses und des Gehäuses des Wasserkochers.
- Wenn das Netzkabel beschädigt ist, soll es vom Hersteller, vom Kundendienst oder von ähnlich qualifiziertem Personal ersetzt werden, um Gefahren zu vermeiden.
- Es ist nicht gestattet, das Gerät selbständig zu reparieren. Es ist nicht gestattet, das Gerät selbständig

auseinanderzunehmen; bei der Feststellung jeglicher Beschädigungen, sowie im Sturzfall, trennen Sie das Gerät vom Stromnetz ab und wenden Sie sich an einen Kundendienst.

- Transportieren Sie den Wasserkocher nur in der Fabrikverpackung.
- Bewahren Sie das Gerät an einem für Kinder und behinderte Personen
- unzugänglichen Ort auf.

DAS GERÄT IST NUR FÜR DEN GEBRAUCH IM HAUSHALT GEEIGNET, ES IST VERBOTEN, DAS GERÄT ZU INDUSTRIE- ODER LABORZWECKEN ZU BENUTZEN.

VORBEREITUNG DES WASSERKOCHERS ZUR INBETRIEBNAHME

Nachdem Sie das Gerät bei niedriger Temperatur transportiert oder gelagert haben, müssen Sie es mindestens drei Stunden bei Raumtemperatur aufbewahren.

- Packen Sie das Gerät aus und entfernen Sie alle Verpackungsmaterialien.
- Bewahren Sie die Originalverpackung auf.
- Lesen Sie die Sicherheitsmaßnahmen und Bedienungsempfehlungen.
- Überprüfen Sie den Lieferumfang.
- Überprüfen Sie den Wasserkocher auf Schäden, wenn Schäden vorhanden sind, schalten Sie ihn nicht in das Netzwerk ein.

- Stellen Sie sicher, dass die auf der Unterseite des Geräts oder auf dem Untersatz angegebenen Stromversorgungsparameter mit den Parametern des elektrischen Netzwerkes übereinstimmen. Bei Verwendung des Wasserkochers in einem elektrischen Netzwerk mit einer Frequenz von 60 Hz ist keine zusätzliche Einstellung erforderlich.
- Wischen Sie den Untersatz (4), die äußere und die innere Oberfläche des Wasserbehälters (2) mit einem sauberen, leicht angefeuchteten Tuch ab, um den Staub zu entfernen.

ACHTUNG! Seien Sie vorsichtig beim Umgang mit dem Wasserkocher. Der Glaswasserbehälter kann brechen, wenn der Wasserkocher herunterfällt oder auf einen harten Gegenstand schlägt.

- Stellen Sie den Untersatz (4) auf eine feste, stabile, ebene, rutschfeste, nichtmetallische Oberfläche, weit entfernt von Wärmequellen, im maximalen Abstand vom Rand der Oberfläche.
- Stellen oder verwenden Sie den Wasserkocher nicht in einem geschlossenen Raum, z. B. in einem Schrank oder in geschlossenen Strukturen, dies kann zur Beschädigung oder Verletzung des Benutzers oder seines Eigentums führen.
- Fassen Sie den Griff (10) an, ziehen Sie ihn nach oben und nehmen Sie den Deckel (9) ab.
- Nehmen Sie das Teesieb (7) vom Deckel (9) ab, indem Sie das Sieb (7) weg von den Halterungen schieben.

- Wischen Sie den Deckel (9) ab und spülen Sie das Sieb (7) mit einer neutralen Reinigungslösung ab, spülen und trocknen Sie es ab.
- Waschen Sie den Wasserbehälter (5) mit einem neutralen Reinigungsmittel, spülen Sie ihn und trocknen Sie ihn ab. Wischen Sie die Außenoberfläche des Wasserbehälters (5) mit einem feuchten Tuch, dann trocknen Sie sie ab. Verwenden Sie keine ätzenden Reinigungsmittel und scheuernden Topfschwämme.
- Bevor Sie den Wasserkocher anschließen, überprüfen Sie, ob auf dem Untersatz (4), auf dem Wasserbehälter (5), auf dem Netzkabel, auf dem Netzstecker keine Feuchtigkeit vorhanden ist.
- Füllen Sie den Wasserkocher mit Wasser bis zur Markierung «MAX» (6) auf der Skala auf der Außenseite des Wasserbehälters (5).
- Setzen Sie den Deckel (9) auf und vergewissern Sie sich, dass der Deckel des Wasserkochers dicht geschlossen ist.

Anmerkung: beim ersten Wasserkochen ist es empfohlen, das Sieb (7) auf den Deckel (9) aufzusetzen.

- Stellen Sie den Wasserkocher auf den Untersatz (4).
- Stecken Sie den Netzstecker des Netzkabels in die Steckdose, dabei hören Sie ein Tonsignal.
- Die Beleuchtung der Taste «100°C» leuchtet blau und blinkt, drücken Sie die Ein-/Ausschalttaste (1) «ON/OFF», die Beleuchtung der Taste (1) leuchtet rot, und das Wasserkochen beginnt.

- Wenn das Wasser aufkocht, ertönen die Tonsignale, die Beleuchtung der Taste «100°C» leuchtet blau, die Beleuchtung der «ON/OFF»-Taste (1) leuchtet grün.

Anmerkung: nach Ablauf des Wasserkochens erlischt die Tastenbeleuchtung nach 5 Minuten.

- Nehmen Sie den Wasserkocher vom Untersatz ab und gießen Sie gekochtes Wasser vorsichtig in einen geeigneten Behälter.
- Denken Sie daran, dass im Wasserbehälter (5) des Wasserkochers ein kochendes Wasser ist, halten Sie den Wasserkocher immer nur am Griff (11), kippen Sie den Wasserkocher nicht scharf. Wenn Sie den Wasserkocher schlampig verwenden, können Sie eine Verbrühung mit heißem Wasser bekommen.
- Wiederholen Sie das Kochen mehrmals.

ACHTUNG! Beugen Sie sich über der Tülle (8) während des Wasserkocherbetriebs nicht, um Dampfverbrühung zu vermeiden.

- Es wird nicht empfohlen, das durch das erste Kochen erhaltene heiße Wasser zu trinken, Sie können es im Haushalt verwenden.

VERWENDUNG DES WASSERKOCHERS

- Stellen Sie den Wasserkocher (1) auf eine feste, stabile, ebene, rutschfeste, nichtmetallische Oberfläche, weit entfernt von Wärmequellen, im maximalen Abstand vom Rand der Oberfläche.

WASSERKOCHEN

- Fassen Sie den Griff (10) an, ziehen Sie ihn nach oben und nehmen Sie den Deckel (9) ab.
- Füllen Sie den Wasserkocher mit Wasser nicht unter der «MIN»-Wasserstandsmarke und nicht über der «MAX» (6) -Wasserstandsmarke auf.
- Machen Sie den Deckel (9) zu und stellen Sie den befüllten Wasserkocher auf den Untersatz (4) auf.

Anmerkung: wenn Sie keinen Tee direkt im Wasserkocherbehälter (5) aufbrühen möchten, setzen Sie das Sieb (7) auf den Deckel (9) nicht auf.

- Stecken Sie den Netzstecker des Netzkabels in die Steckdose, dabei hören Sie ein Tonsignal, die Beleuchtung der Taste «100°C» leuchtet blau und blinkt.
- Drücken Sie die Ein-/Ausschalttaste (1) «ON/OFF», die Beleuchtung der «ON/OFF»-Taste (1) leuchtet rot, und das Wasserkochen beginnt.
- Wenn das Wasser aufkocht, ertönen die Tonsignale, die Beleuchtung der Taste «100°C» leuchtet blau, die Beleuchtung der «ON/OFF»-Taste (1) leuchtet grün.
- Wenn Sie den Wasserkocher ausschalten müssen, drücken Sie die Ein-/Ausschalttaste (1) «ON/OFF».

WASSERERWÄRMUNG BIS ZU EINER VOREINGESTELLTEN TEMPERATUR

- Sie können das Wasser auf die gewünschte Temperatur erwärmen. Um verschiedene Teesorten aufzubrühen, ist eine bestimmte Wassertemperatur erforderlich.

- Es wird empfohlen, die Wassertemperatur von 40°C – Babynahrung, 70 °C — für weißen und grünen Tee, 85 °C — für Pulverkaffee, 100 °C — für schwarzen Tee zu verwenden.
- Drücken Sie eine der Tasten (9), um die Temperatur von 40 °C, 70 °C, 85 °C, 100 °C auszuwählen, dabei leuchtet die Tastenbeleuchtung blau und blinkt, dabei leuchtet die Beleuchtung der «ON/OFF»-Taste (1) rot, das Heizelement wird eingeschaltet, und das Wasser wird auf die eingestellte Temperatur erwärmt.
- Wenn die eingestellte Temperatur erreicht ist, klingen Tonsignale, die Tastenbeleuchtung erlischt.
- Wenn Sie die Erwärmungsfunktion ausschalten müssen, drücken Sie die Ein-/Ausschalttaste (1) «ON/OFF».
- Drücken Sie eine der Tasten (2), um die Temperatur von 40 °C, 70 °C, 80 °C, dabei leuchtet die Tastenbeleuchtung blau und blinkt, drücken Sie die Ein-/Ausschalttaste (1) «ON/OFF», dabei leuchtet die Beleuchtung der «ON/OFF»-Taste (1) rot, und das Heizelement wird eingeschaltet, drücken Sie die Ein-/Ausschalttaste des Temperaturhaltungsbetriebs (3) «KEEP WARM», die Beleuchtung der «KEEP WARM»-Taste (3) leuchtet blau.
- Nachdem das Wasser aufkocht, ertönt ein Tonsignal, und der Wasserkocher schaltet sich in den Wassertemperaturhaltungsbetrieb um; wenn die Wassertemperatur um 5 Grad sinkt, beginnt das zweite Kochen, und danach wird der Wassertemperaturhaltungsbetrieb aktiviert.
- Anmerkung: - wenn das Wasser auf 100°C gehalten muss, beginnt das Wiederkochen bei einer Wassertemperatur von 85°C.
- Wenn Sie die Erwärmungsfunktion ausschalten müssen, drücken Sie die Ein-/Ausschalttaste der Temperaturhaltung (3) «KEEP WARM» .

FUNKTION DER ERHALTUNG DER EINGESTELLTEN TEMPERATUR

Anmerkungen:

- mit dieser Funktion können Sie die gewünschte Wassertemperatur 2 Stunden lang erhalten, ohne erneut zu kochen. Nach Beendigung dieser Zeit wird der Temperaturerhaltungsmodus automatisch ausgeschaltet.
- Der Temperaturerhaltungsmodus ist periodisch, wenn die Wassertemperatur im Wasserkocher um 5 Grad sinkt, der Kochbetrieb wird aktiviert, nach dem Kochen wird das Wasser auf die eingestellte Temperatur abgekühlt.

Anmerkungen:

- Wenn Sie den Wasserkocher für weniger als 1 Minute vom Untersatz entfernen, verbleibt die Temperaturhaltung eingeschaltet.
- wenn der Wasserkocher für längere Zeit entfernt wird, ertönt das Tonsignal und der Erwärmungsmodus wird ausgeschaltet.

- Falls Sie den Wasserkocher zufällig eingeschaltet haben, jedoch der Wasserstand darin unter der minimalen Wasserstandsmarke bleibt, spricht das Sicherungselement automatisch an und der Wasserkocher schaltet sich automatisch aus. In diesem Fall nehmen Sie den Wasserkocher vom Untersatz (4) ab, lassen Sie ihn 5-10 Minuten lang abkühlen, dann füllen Sie den Wasserkocher mit Wasser auf und schalten Sie ihn ein, der Wasserkocher wird im normalen Betrieb funktionieren.

TEEAUFGIEßEN

- Fassen Sie den Griff (10) an, ziehen Sie ihn nach oben und nehmen Sie den Deckel (9) ab.
- Schütten Sie eine erforderliche Menge Tee ins Sieb (7) ein und stellen Sie das Sieb (7) auf die Innenfläche des Deckels (9); vergewissern Sie sich, dass das Sieb (7) fest sitzt.
- Füllen Sie den Wasserkocher mit Wasser nicht unter der «MIN»-Wasserstandsmarke und nicht über der «MAX»-Wasserstandsmarke am Anzeiger (6) auf.
- Drücken Sie die Taste (2) «40-70-85-100°C» und wählen Sie die erforderliche Wassererwärmungstemperatur für diese Teesorte (siehe den Abschnitt «WASSERERWÄRMUNG AUF EINE EINGESTELLTE TEMPERATUR»).
- Schalten Sie den Wasserkocher durchs Drücken der «ON/OFF»-Taste (1) ein.
- Warten Sie nach dem Gebrauch des Wasserkochers ab, bis er abkühlt, nehmen Sie den Deckel (9) ab,

entfernen Sie das Sieb (7) und spülen Sie das Sieb (7) unter dem Wasserstrahl ab. Mit der Zeit kann sich ein dunkler Belag auf dem Sieb (7) bilden, der mit Speisesoda entfernt werden kann. Befeuchten Sie ein Tuch mit Wasser, schütten Sie eine kleine Menge Speisesoda darauf und wischen Sie das Sieb (7) von außen und innen ab, nachdem der Belag entfernt wird, spülen Sie das Sieb (7) und trocknen Sie es ab.

REINIGUNG UND PFLEGE

- Trennen Sie das Gerät vor der Reinigung vom Stromnetz ab, gießen Sie Wasser aus und lassen Sie den Wasserkocher abkühlen.
- Wischen Sie den Untersatz (4) und die äußere Oberfläche des Wasserbehälters (5) mit einem leicht feuchten Tuch ab, wischen Sie dann den Untersatz (4) und den Wasserbehälter (5) trocken ab. Für Entfernung von Verschmutzungen benutzen Sie weiche Reinigungsmittel, aber keine Metallbürsten und Abrasiv- oder Lösmittel.
- Tauchen Sie den Wasserkocher nicht ins Wasser oder andere Flüssigkeiten ein und spülen Sie ihn nicht in der Spülmaschine ab.

KALKENTFERNUNG

- Der Kalkstein, der sich innerhalb des Wasserkochers bildet, beeinflusst die Geschmackseigenschaften des Wassers und verletzt den Wärmeaustausch zwischen Wasser und dem Heizelement, und kann das Heizelement beschädigen; das Durchbrennen des

Heizelemente bei einer starken Kalkablagerung im Behälter (5) ist kein Garantiefall.

- Zum Entkalken können Sie sowohl spezielle Entkalkungsmittel als auch Haushaltsprodukte wie Essig oder Zitronensäure verwenden.
- Zum entkalken, füllen Sie den Wasserbehälter (5) mit 1/3 Wasser und lassen Sie es aufkochen. Öffnen Sie den Deckel und füllen Sie den Tafelessig (6-9%) bis zur Markierung «MAX» hinzu, lassen Sie die Flüssigkeit für einige Stunden im Wasserkocher. Nach dem Auflösen des Kalksteines, gießen die Flüssigkeit ab und spülen den Wasserbehälter (5) mehrmals ab. Um den Essiggeruch zu entfernen, kochen Sie das Wasser mehrmals.
- Lösen Sie 25 G Zitronensäure in 500 ml heißes Wasser auf.
- Gießen Sie die resultierende Lösung in den Wasserkocher und warten Sie 15-30 Minuten.
- Gießen Sie die Flüssigkeit ab und spülen Sie den Wasserbehälter (5) mehrmals ab, lassen Sie das Wasser mehrmals kochen.
- Zum entkalken können spezielle Mittel verwendet werden, die für elektrische Wasserkocher oder Kaffeemaschinen bestimmt sind, halten Sie sich strikt an die Gebrauchsanweisung, die auf der Verpackung des Produkts oder in den zusätzlichen Materialien des Verkäufers platziert werden muss.
- Reinigen Sie den Wasserkocher vom Kalk regelmäßig.

AUFBEWAHRUNG

- Bevor Sie den Wasserkocher zur langen Aufbewahrung wegnehmen, trennen Sie ihn vom Stromnetz ab, gießen Sie Wasser ab und lassen Sie das Gerät abkühlen.
- Reinigen Sie den Untersatz (4) und den Wasserbehälter (5).
- Bewahren Sie das Gerät an einem trockenen, kühlen und für Kinder und behinderte Personen unzugänglichen Ort auf.

LIEFERUMFANG

1. Wasserkocher — 1 St.
2. Untersatz — 1 St.
3. Bedienungsanleitung — 1 St.

TECHNISCHE DATEN

- Betriebsspannung: 220-240 V, ~ 50/60 Hz
- Nennleistungsaufnahme: 2200 W
- Maximale Füllmenge: 1,5 l

ENTSORGUNG



Um mögliches Schaden für die Umwelt oder die menschliche Gesundheit durch unkontrollierte Abfallentsorgung zu vermeiden, werfen Sie das Gerät und die Batterien (falls mitgeliefert) nach Beendigung ihrer Nutzungsdauer

zusammen mit gewöhnlichen Haushaltsabfällen nicht weg, geben Sie das Gerät und die Batterien in Spezialstellen für weitere Entsorgung über.

Die bei der Entsorgung der Erzeugnisse entstehenden Abfälle sind unbedingt zu sammeln und weiter ordnungsmäßig zu entsorgen.

Mehrere Information zur Entsorgung dieses Produkts erhalten Sie bei Ihrer lokalen Stadtverwaltung, einem Abfallentsorgungsdienst oder beim Geschäft, wo Sie dieses Produkt gekauft haben.

Der Hersteller behält sich das Recht vor, das Design, die Konstruktion und die das gemeine Gerätebetriebsprinzip nicht beeinflussenden technischen Eigenschaften ohne Vorbenachrichtigung zu verändern.

Die Gerätenutzungsdauer beträgt 3 Jahre

Das Herstellungsdatum ist in der Fabrikationsnummer angegeben.

Bei Störungsfeststellung wenden Sie sich baldigst an einen autorisierten Kundendienst.

ЧАЙНИК ЭЛЕКТРИЧЕСКИЙ BR1015

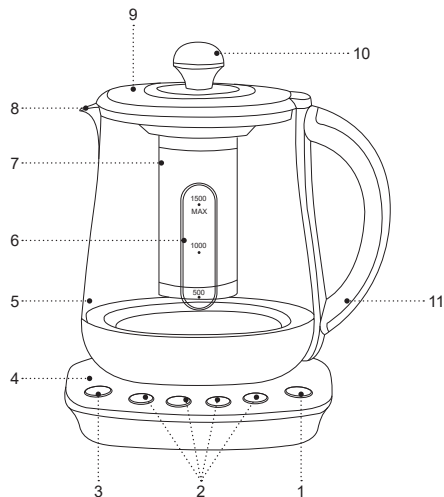
Электрический чайник предназначен только для кипячения питьевой воды.

ОПИСАНИЕ

1. Кнопка включения/выключения «ON/OFF»
2. Кнопки выбора температуры воды «40-70-85-100 °С»
3. Кнопка включения/выключения режима поддержания температуры «KEEP WARM»
4. Подставка
5. Колба
6. Шкала уровня воды
7. Съёмное ситечко для заваривания чая
8. Носик
9. Крышка
10. Ручка крышки
11. Ручка

ВНИМАНИЕ!

Для дополнительной защиты в цепи питания целесообразно установить устройство защитного отключения (УЗО) с номинальным током срабатывания, не превышающим 30 мА. Для установки УЗО обратитесь к специалисту.



МЕРЫ БЕЗОПАСНОСТИ И РЕКОМЕНДАЦИИ ПО ЭКСПЛУАТАЦИИ

Перед использованием устройства внимательно ознакомьтесь с руководством по эксплуатации, после чтения сохраните его для использования в будущем.

- Используйте электрический чайник только по его прямому назначению, как изложено в данной инструкции.
- Неправильное обращение с чайником может привести к его поломке, причинению вреда пользователю или его имуществу и не является гарантийным случаем.
- Чайник предназначен только для подогрева и кипячения питьевой воды, запрещается подогревать или кипятить любые другие жидкости.
- Убедитесь, что рабочее напряжение электрического чайника, указанное на этикетке, соответствует напряжению электросети.
- Чайник должен быть обязательно заземлен. В случае возникновения короткого замыкания, заземление снижает риск поражения электрическим током.
- Шнур питания снабжён «евровилкой»; вставляйте её только в электрическую розетку, имеющую надёжный контакт заземления.
- Обратитесь к специалисту-электрику, если вы не уверены в том, что ваши розетки правильно установлены и заземлены.
- Во избежание возникновения пожара запрещается использовать «переходники», предназначенные для подключения сетевой вилки к электрической розетке, не имеющей контакта заземления.
- При искрении и присутствии запаха гари, выньте вилку шнура питания из розетки и обратитесь в организацию, обслуживающую вашу домашнюю электрическую сеть.
- При появлении дыма из колбы или корпуса чайника, выньте вилку шнура питания из розетки, не открывайте крышку чайника, примите меры к нераспространению огня. Обратитесь в сервисный центр для осмотра ремонта чайника.
- Запрещается использовать электрический чайник вне помещений.
- Не рекомендуется использовать устройство во время грозы.
- Не устанавливайте на чайник посторонние предметы.
- Оберегайте устройство от ударов, падений, вибраций и иных механических воздействий.
- Не оставляйте электрический чайник, включённый в сеть, без присмотра.
- Не используйте электрический чайник вблизи от кухонной раковины, ванных комнатах, около бассейнов или других ёмкостей, наполненных водой. Если устройство упало в воду, немедленно выньте вилку шнура питания из розетки и только после этого достаньте устройство из воды.

- Не используйте электрический чайник в непосредственной близости от нагревательных приборов, источников тепла или открытого пламени.
- Запрещается использовать электрический чайник в местах, где используются или распыляются аэрозоли, а также вблизи от легковоспламеняющихся жидкостей.
- Устанавливайте электрический чайник на ровную и устойчивую поверхность, не ставьте его на край стола. Не допускайте, чтобы шнур питания свешивался со стола, а также следите, чтобы он не касался горячих поверхностей и острых кромок мебели.
- Не направляйте носик чайника на деревянную мебель, книги, на предметы, которые могут быть повреждены влагой или горячим паром.
- Запрещается прикасаться к шнуру питания и вилке шнура питания, мокрыми руками.
- Не включайте чайник без воды, после наполнения чайника, плотно закрывайте крышку.
- Следите, чтобы уровень воды в чайнике был не выше максимальной отметки «MAX». Если уровень воды будет выше максимальной отметки, кипящая вода может выплеснуться из чайника во время кипячения.
- Во избежание получения ожога горячим паром не наклоняйтесь над носиком чайника.
- Запрещается открывать крышку чайника во время кипячения воды.
- Поверхность чайника может иметь достаточно высокую температуру. Соблюдайте осторожность и аккуратность при контакте с нагретыми поверхностями чайника. Берите чайник за ручку.
- Будьте осторожны при переносе чайника, наполненного кипятком. Выливайте воду из чайника осторожно, не наклоняйте чайник резко, при неаккуратном использовании чайника, вы можете получить ожог горячей водой.
- Отключайте чайник от электрической сети перед чистой или в том случае, если вы им не пользуетесь. При отключении изделия от сети держитесь только за вилку шнура питания и аккуратно выньте её из электрической розетки, не тяните за шнур питания - это может привести к повреждению шнура питания или розетки и вызвать короткое замыкание.
- Во избежание удара электрическим током не погружайте электрический чайник в воду или любые другие жидкости.
- Запрещается помещать электрический чайник в посудомоечную машину.
- Из соображений безопасности не оставляйте полиэтиленовые пакеты, используемые в качестве упаковки, без присмотра и в местах доступных для детей.

ВНИМАНИЕ!

Не разрешайте детям играть с полиэтиленовыми пакетами или упаковочной плёнкой. **Опасность удушья!**

- Электрический чайник не предназначен для использования детьми.
- Осуществляйте надзор за детьми, чтобы не допустить использования прибора в качестве игрушки.
- Не разрешайте детям прикасаться к устройству и к шнуру питания во время работы электрического чайника.
- Во время работы и остывания размещайте устройство в местах, недоступных для детей.
- Данное устройство не предназначено для использования лицами (включая детей) с пониженными физическими, психическими или умственными способностями или при отсутствии у них опыта или знаний, если они не находятся под контролем или не проинструктированы об использовании прибора лицом, ответственным за их безопасность.
- Периодически проверяйте состояние шнура питания, вилки шнура питания, подставки и колбы чайника.
- При повреждении шнура питания его замену во избежание опасности должны производить изготовитель, сервисная служба или подобный квалифицированный персонал.
- Запрещается самостоятельно ремонтировать прибор. Не разбирайте прибор самостоятельно, при возникновении любых неисправностей, а также после падения устройства выключите прибор из электрической розетки и обратитесь в сервисный центр.
- Перевозите чайник в заводской упаковке.
- Храните устройство в местах, недоступных для детей и людей с ограниченными возможностями.

ЭЛЕКТРИЧЕСКИЙ ЧАЙНИК ПРЕДНАЗНАЧЕН ТОЛЬКО ДЛЯ БЫТОВОГО ИСПОЛЬЗОВАНИЯ, ЗАПРЕЩАЕТСЯ ИСПОЛЬЗОВАТЬ ЧАЙНИК В КОММЕРЧЕСКИХ ИЛИ ЛАБОРАТОРНЫХ ЦЕЛЯХ

ПОДГОТОВКА ЧАЙНИКА К РАБОТЕ

После транспортировки или хранения устройства при пониженной температуре необходимо выдерживать его при комнатной температуре не менее трёх часов.

- Распакуйте чайник и удалите все упаковочные материалы.
- Сохраните заводскую упаковку.
- Ознакомьтесь с мерами безопасности и рекомендациями по эксплуатации.
- Проверьте комплектацию.
- Осмотрите чайник на наличие повреждений при наличии повреждений не включайте его в электрическую розетку.
- Убедитесь, что параметры напряжения питания, указанные на нижней панели изделия или подставке, соответствуют параметрам электрической сети. При использовании чайника в электрической сети частотой 60 Гц, никакой дополнительной настройки не требуется.

- Протрите подставку (4), наружную и внутреннюю поверхность колбы (5) чистой, слегка влажной тканью для удаления пыли.

ВНИМАНИЕ! При обращении с чайником будьте осторожны, стеклянная колба может разбиться при падении чайника или при ударе об твёрдый предмет.

- Установите подставку (4) на твердую, устойчивую, ровную, не скользкую, неметаллическую поверхность вдали от источников тепла на максимально дальнем расстоянии от края поверхности.
- Не устанавливайте и не используйте чайник в замкнутом пространстве, например, в шкафу или в замкнутых конструкциях — это может привести к его поломке, причинению вреда пользователю или его имуществу.
- Возьмитесь за ручку (10) потяните её по направлению вверх и снимите крышку (9).
- Снимите ситечко для заваривания чая (7) с крышки (9), для этого сдвиньте ситечко (7) в свободную от держателей сторону.
- Протрите крышку (9) и промойте ситечко (7) раствором нейтрального моющего средства, ополосните и просушите.
- Вымойте колбу (5) с использованием нейтральных моющих средств, ополосните и просушите. Внешнюю поверхность колбы (5) протрите слегка влажной тканью, затем вытрите насухо. Не используйте для этих целей абразивные чистящие средства и жёсткие мочалки.

- Перед подключением чайника проверьте, чтобы на подставке (4), колбе (5), шнуре питания, вилке шнура питания не было капель влаги.
- Наполните чайник водой до отметки «MAX», по шкале (6), расположенной на внешней поверхности колбы (5).
- Установите крышку (9), убедитесь, что крышка чайника плотно закрыта.

Примечание: первое кипячение воды, рекомендуется проводить с установленным на крышке (9) ситечком (7).

- Поставьте чайник на подставку (4).
- Вставьте вилку шнура питания в электрическую розетку, при этом прозвучит звуковой сигнал.
- Подсветка кнопки «100°C» загорится синим цветом и будет мигать, нажмите кнопку включения/выключения (1) «ON/OFF», подсветка кнопки (1) загорится красным цветом и начнётся кипячение воды.
- Когда вода закипит, прозвучат звуковые сигналы, подсветка кнопки «100°C» будет светиться синим цветом, подсветка кнопки включения/выключения (1) «ON/OFF» будет светиться зеленым цветом.

Примечание: после завершения кипячения воды, подсветка кнопок погаснет через 5 минут.

- Снимите чайник с подставки и аккуратно вылейте кипяченую воду в подходящую емкость.
- Помните, что внутри колбы (5) чайника кипятят, всегда держите чайник только за ручку (11), не

наклоняйте чайник резко, при неаккуратном использовании чайника, вы можете получить ожог горячей водой.

- Повторите процедуру кипячения воды несколько раз.

ВНИМАНИЕ! Во избежание получения ожога горячим паром, не наклоняйтесь над носиком (8).

- Полученную в результате первых кипячений горячую воду не рекомендуется употреблять в пищу, вы можете использовать ее для бытовых нужд.

ИСПОЛЬЗОВАНИЕ ЭЛЕКТРИЧЕСКОГО ЧАЙНИКА

- Установите подставку чайника на твердую, устойчивую, ровную, не скользкую, неметаллическую поверхность вдали от источников тепла на максимально дальнем расстоянии от края поверхности.

КИПЯЧЕНИЕ ВОДЫ

- Возьмитесь за ручку (10) потяните её по направлению вверх и снимите крышку (9).
- Наполните чайник водой не ниже отметки «MIN» и не выше максимальной отметки «MAX» на шкале (6).
- Установите крышку (9) и установите наполненный чайник на подставку (4).

Примечание: если вы не планируете заваривать чай непосредственно в колбе чайника (5), не устанавливайте ситечко (7) на крышку (9).

- Вставьте вилку сетевого шнура в электрическую розетку, при этом прозвучит звуковой сигнал, подсветка кнопки «100°C» загорится синим цветом и будет мигать.
- Нажмите кнопку включения/выключения (1) «ON/OFF», подсветка кнопки (1) «ON/OFF» загорится красным цветом и начнётся кипячение воды.
- Когда вода закипит, прозвучат звуковые сигналы, подсветка кнопки «100°C» будет светиться синим цветом, подсветка кнопки включения/выключения (1) «ON/OFF» будет светиться зеленым цветом.
- При необходимости выключения чайника во время кипячения воды, нажмите кнопку включения/выключения (1) «ON/OFF».

НАГРЕВ ВОДЫ ДО ЗАДАННОЙ ТЕМПЕРАТУРЫ

- Вы можете подогреть воду до необходимой температуры. Для заваривания разных сортов чая необходима определённая температура воды.
- Рекомендуется использовать температуру воды: 40°C — подогрев детского питания, 70 °C — для белого и зелёного чая, 85 °C — растворимого кофе, 90-100 °C — чёрного чая.
- Нажмите на одну из кнопок (2) для выбора температуры «40°C, 70°C, 85°C», при этом подсветка кнопки загорится синим цветом и будет мигать, и нажмите кнопку включения/выключения (1) «ON/OFF», при этом подсветка кнопки (1) «ON/OFF» загорится красным цветом, нагревательный элемент включит-

ся и вода будет подогреваться до установленной температуры.

- По достижению заданной температуры прозвучат звуковые сигналы, подсветка кнопок погаснет через 5 минут.
- При необходимости выключения функции нагрева, нажмите кнопку включения/выключения (1) «ON/OFF».

ФУНКЦИЯ ПОДДЕРЖАНИЯ ЗАДАННОЙ ТЕМПЕРАТУРЫ

Примечания:

- функция позволяет поддерживать заданную температуру воды в течение 2 часов. По истечении этого времени режим поддержания температуры автоматически отключается.
- режим работы поддержания температуры периодический, если температура воды в колбе чайника (5) снизится на 5 градусов, включится режим кипячения, после кипячения вода будет остывать до установленной температуры.
- Нажмите одну из кнопок (2) для выбора температуры «40-70-85-100°C», при этом при этом подсветка кнопки загорится синим цветом и будет мигать нажмите кнопку включения/выключения (1) «ON/OFF», при этом подсветка кнопки (1) «ON/OFF» загорится красным цветом и включится нагревательный элемент, нажмите кнопку включения/выключения режима поддержания температуры (3)

«KEEP WARM», подсветка кнопки (3) «KEEP WARM» загорится синим цветом.

Примечание: при установке температуры поддержания воды 100°C, повторное кипячение включится при температуре воды 85°C.

- При необходимости выключения функции нагрева поддержания температуры, нажмите кнопку включения/выключения режима поддержания температуры (3) «KEEP WARM».

Примечания:

- если снять чайник с подставки на время менее 1 минуты, режим поддержания температуры останется включенным.
- если чайник будет снят на более длительное время, то прозвучит звуковой сигнал, и режим подогрева выключится, при этом подсветка кнопок выключится через 5 минут.
- Если вы случайно включили чайник, а уровень воды оказался ниже минимальной отметки, то сработает автоматический термopредохранитель и чайник отключится. В этом случае снимите чайник с подставки (4) и дайте ему остыть в течение 10-15 минут, затем наполните чайник водой и включите, электрический чайник будет работать в нормальном режиме.

ЗАВАРИВАНИЕ ЧАЯ

- Возьмитесь за ручку (10) потяните её по направлению вверх и снимите крышку (9).

- Насыпьте в ситечко (7) необходимое количество чая и установите ситечко (7) на внутреннюю поверхность крышки (9), убедитесь в надёжной фиксации ситечка (7).
- Наполните чайник водой не ниже отметки «MIN» и не выше максимальной отметки «MAX» на шкале (6).
- Нажатием кнопки (2) «40-70-85-100°C», выберите необходимую температуру нагрева воды, для данного сорта чая (см. раздел «НАГРЕВ ВОДЫ ДО ЗАДАННОЙ ТЕМПЕРАТУРЫ»).
- Включите чайник нажатием кнопки (1) «ON/OFF».
- После использования чайника, дождитесь его остывания, снимите крышку (9), снимите ситечко (7), промойте ситечко (7) под струёй проточной воды. Со временем на ситечке (7) может образоваться тёмный налёт, который можно удалить при помощи питьевой соды. Смочите ткань водой, насыпьте на неё небольшое количество питьевой соды и протрите ситечко (7) с наружной и внутренней стороны, после удаления налёта ополосните ситечко (7) и просушите.

ЧИСТКА И УХОД

- Перед чистой отключите чайник от электросети, слейте воду и дайте чайнику остыть.
- Протрите подставку (4) и внешнюю поверхность колбы (5) слегка влажной тканью, после этого вытрите подставку (4) и колбу (5) насухо. Для удаления загрязнений используйте мягкие чистящие средства,

не используйте металлические губки и абразивные моющие средства и растворители.

- Не погружайте электрический чайник, подставку (4), шнур питания и вилку шнура питания в воду или любые другие жидкости, запрещается промывать его в посудомоечной машине.

УДАЛЕНИЕ НАКИПИ

- накипь, образующаяся внутри колбы (5), влияет на вкусовые качества воды, нарушает теплообмен между водой и нагревательным элементом, а также создаёт угрозу выхода из строя нагревательного элемента, перегорание нагревательного элемента при наличии большого количества накипи в колбе (5), не является гарантийным случаем.
- Для удаления накипи можно использовать как специальные средства для удаления накипи, так и бытовые, например, уксус или лимонную кислоту.
- Для удаления накипи наполните колбу (5) на 1/3 водой и вскипятите её. Снимите крышку (9) и долейте столовый уксус (6-9%) до метки «MAX», оставьте жидкость в чайнике на несколько часов. После растворения накипи слейте жидкость и несколько раз ополосните колбу (5). Для удаления запаха уксуса, несколько раз прокипятите воду.
- Растворите 25 г лимонной кислоты в 500 мл горячей воды.
- Залейте получившийся раствор в чайник и оставьте на 15-30 минут.

- Слейте жидкость и несколько раз ополосните колбу (1), несколько раз прокипятите воду.
- Для удаления накипи можно использовать специальные средства, предназначенные для электрических чайников или кофемашин, строго придерживаясь инструкции по их применению, которая должна быть размещена на упаковке средства или в дополнительных материалах, предоставляемых продавцом.
- Регулярно очищайте чайник от накипи.

ХРАНЕНИЕ

- Прежде чем убрать чайник на длительное хранение, отключите его от электросети, слейте воду и дайте устройству остыть.
- Очистите подставку (4) и колбу (5).
- Храните чайник в сухом прохладном месте, недоступном для детей и людей с ограниченными возможностями.

КОМПЛЕКТ ПОСТАВКИ

1. Чайник электрический — 1 шт.
2. Подставка — 1 шт.
3. Инструкция — 1 шт.

ТЕХНИЧЕСКИЕ ХАРАКТЕРИСТИКИ

- Напряжение питания: 220-240 В, ~ 50/60 Гц
- Номинальная потребляемая мощность: 2200 Вт
- Максимальный объем воды: 1,5 л

УТИЛИЗАЦИЯ



Чтобы предотвратить возможный вред окружающей среде или здоровью людей от неконтролируемой утилизации отходов, после окончания срока службы устройства или элементов питания (если входят в комплект), не выбрасывайте их вместе с обычными бытовыми отходами, передайте прибор и элементы питания в специализированные пункты для дальнейшей утилизации.

Отходы, образующиеся при утилизации изделий, подлежат обязательному сбору с последующей утилизацией в установленном порядке.

Для получения дополнительной информации об утилизации данного продукта обратитесь в местный муниципалитет, службу утилизации бытовых отходов или в магазин, где Вы приобрели данный продукт.

Производитель сохраняет за собой право изменять дизайн, конструкцию и технические характеристики, не влияющие на общие принципы работы устройства, без предварительного уведомления.

Срок службы устройства – 3 года

Дата производства указана в серийном номере.

В случае обнаружения каких-либо неисправностей необходимо обратиться в авторизованный сервисный центр.

ЭЛЕКТР ШАЙНЕК BR1015

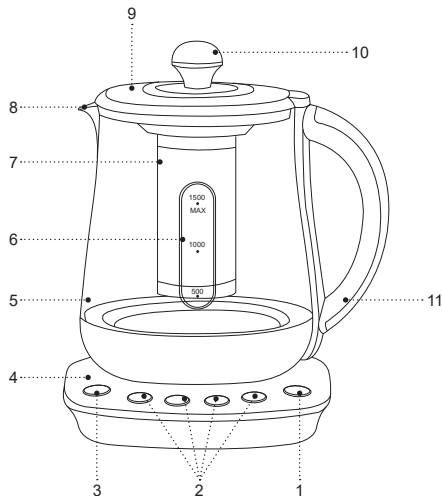
Сұйықтықты қыздыруға арналған электр аспап (шайнек) ішуге арналған суды қыздыруға және қайнатуға ғана арналған.

СИПАТТАМАСЫ

1. Қосу/өшіру батырмасы «ON/OFF»
2. Су температурасын таңдау батырмалары «40-70-85-100°C»
3. Температураны ұстап тұру режимін қосу/өшіру батырмасы «KEEP WARM»
4. Түпқойма
5. Құты
6. Су деңгейінің шкаласы
7. Шай демдеуге арналған алынбалы сүзгіш
8. Шүмек
9. Қақпақ
10. Қақпақтың тұтқасы
11. Тұтқа

НАЗАР АУДАРЫҢЫЗ!

Қосымша қорғаныс үшін қуаттандыру тізбегінде номиналды іске қосылу тогы 30 мА аспайтын қорғаныс сөндіру құрылғысын (ҚАҚ) орнатқан дұрыс, ҚАҚ-ны орнату үшін маманға хабарласыңыз.



ҚАУІПСІЗДІК ШАРАЛАРЫ ЖӘНЕ ПАЙДАЛАНУ БОЙЫНША НҰСҚАУЛЫҚ

Құрылғыны пайдаланар алдында пайдалану нұсқаулығын мұқият оқып шығыңыз, оқыған соң, болашақта пайдалану үшін сақтап қойыңыз.

- Электр шайнекті осы нұсқаулықта көрсетілгендей, тікелей тағайыны бойынша ғана пайдаланыңыз.
- Шайнекті дұрыс қолданбау оның бұзылуына, және пайдаланушыға немесе оның мүлкіне зиян келтіруге әкеп соғуы мүмкін және кепілдік жағдайы болып саналмайды.
- Шайнек ішуге арналған суды ғана қыздыруға және қайнатуға тағайындалған, қандай да бір басқа сұйықтықты қыздыруға немесе қайнатуға тыйым салынады.
- Заттаңбада көрсетілген электр шайнектің жұмыс кернеуі электр желісінің кернеуіне сәйкес екеніне көз жеткізіңіз.
- Шайнек міндетті түрде жерге қосулы болуы қажет. Қысқа тұйықталу болған жағдайда, жерге қосу электр тоғы соғу тәуекелін төмендетеді.
- Қуаттандыру бауы «евроашамен» жабдықталған; оны тек сенімді жерге қосылған, электр розеткаға ғана қосыңыз.
- Егер розетканың дұрыс орнатылғанына және жерге қосуына сенімді болмасаңыз, электр маманына хабарласыңыз.
- Өрттің шығуын болдырмау үшін, жерге қосу түйісуі жоқ электр розеткасына қосуға арналған,

желі ашасы «өткізгіштерін» пайдалануға тыйым салынады.

- Күйік иісі және от ұшқыны пайда болған кезде, розеткадан желі бауының ашасын шығарыңыз және үйдің электр желісіне қызмет көрсететін ұйымға хабарласыңыз.
- Құтыдан немесе шайнек корпусынан түтін пайда болған кезде, розеткадан желі бауының ашасын шығарыңыз, шайнек қақпағын ашаңыз, отты таратпау шараларын қолданыңыз. Шайнек жөндеуін қарау үшін сервистік орталыққа жүгініңіз.
- Электр шайнекті үй-жайдан тыс жерде пайдалануға тыйым салынады.
- Найзағай кезінде құрылғыны пайдалану ұсынылмайды.
- Шайнекке бөгде заттарды қоймаңыз.
- Құрылғыны соққыдан, құлаудан, дірілден және басқа да механикалық әсерлерден сақтаңыз.
- Желіге қосулы тұрған, электр шайнекті қараусыз қалдырмаңыз.
- Электр шайнекті ас үй раковинасына жақын, жуынатын бөлмеде, бассейндер немесе басқа да су толтырылған сымдылықтарға жақын жерде пайдаланбаңыз.
- Егер құрылғы суға құлап кетсе, дереу қуаттандыру бауының ашасын розеткадан сурыңыз және содан кейін ғана құрылғыны судан алып шығыңыз.
- Электр шайнекті жылытатын аспаптардың, ашық оттың немесе жылу көздерінің тікелей қасында пайдаланбаңыз.

- Электр шайнекті аэрозольдар пайдаланылатын немесе шашырайтын жерлерде, сондай-ақ тез тұтанатын сұйықтықтарға жақын жерлерде пайдалануға тыйым салынады.
- Электр шайнекті тегіс және тұрақты бетке орнатыңыз, оны үстелдің шетіне қоймаңыз. Желі бауының үстелден салбырамауын, сондай-ақ оның ыстық беткейлерге және өткір шеттерге тиіп тұрмауын қадағалаңыз.
- Шайнектің шүмегін ағаш жиһазға, кітаптарға, ылғалдан немесе ыстық будан бүлінетін заттарға бағыттамаңыз.
- Қуаттандыру бауы мен ашаға дымқыл қолмен тиісуге тыйым салынады.
- Шайнекті сусыз қоспаңыз, шайнекті толтырғаннан кейін қақпағын тығыз жабыңыз.
- Шайнектегі судың деңгейі шайнек құтысы ішіне салынған «MAX» максималды белгісінен жоғары болмауын қадағалаңыз. Егер судың көлемі максималдық белгіден асып тұрса, қайнаған кезде қайнаған су шайнектен тасып төгілуі мүмкін.
- Суды қайнату кезінде ыстық буға күйіп қалмау үшін жұмыс істеп тұрған шайнектің шүмегіне төнбеңіз.
- Суды қайнатқан кезде шайнектің қақпағын ашуға тыйым салынады.
- Шайнектің беті өте жоғары температурада болуы мүмкін. Шайнектің қызған беттеріне тиіскен кезде ұқыптылық пен абайлық сақтаңыз. Шайнекті тұтқасынан ұстаңыз.
- Қайнаған суға толы шайнекті тасымалдаған кезде сақ болыңыз. Шайнек суын төккенде абайлаңыз, шайнекті күрт еңкейтпеңіз, шайнекті ұқыпсыз пайдаланғанда, сіз ыстық суға күйіп қалуыңыз мүмкін.
- Шайнекті тазалау алдында немесе пайдаланбайтын болған жағдайда, оны электр желісінен ажыратыңыз. Бұйымды желіден ажыратқан кезде тек ашасынан ұстаңыз және оны электр розеткасынан абайлап шығарыңыз, сымнан тартпаңыз — бұл сымның және розетканың зақымдануына әкелуі және қысқа тұйықталуын тудыруы мүмкін.
- Электр тогының соғу қаупін болдырмас үшін электр шайнекті суға немесе кез келген басқа да сұйықтыққа батырмаңыз.
- Электр шайнекті ыдыс жуатын машинаға салуға тыйым салынады.
- Балалардың қауіпсіздігі мақсатында қаптама ретінде қолданылатын полиэтилен қапшықтарды қараусыз қалдырмаңыз.

НАЗАР АУДАРЫҢЫЗ!

Балаларға полиэтилен пакеттерімен немесе қаптама үлдірімен ойнауға рұқсат етпеңіз. **Тұншығу қаупі бар!**

- Электр шайнек балалардың пайдалануына арналмаған.
- Аспапты ойыншық ретінде пайдаланбас үшін, балаларды қадағалап отырыңыз.

- Электр шайнек жұмыс істеп тұрғанда, желі бауын және құрылғыға тиісуіне балаларға рұқсат бермеңіз.
- Жұмыс кезінде және суу кезінде құрылғыны балалардың қолы жетпейтін жерге қойыңыз.
- Осы құрылғы дене, психикалық немесе ақыл-ой мүмкіндіктері төмендетілген тұлғалардың
- (балаларды қоса) немесе оларда тәжірибесі немесе білімі болмаса, егер олар бақыланбаса немесе олардың қауіпсіздігі үшін жауап беретін тұлғамен аспапты пайдалану туралы нұсқаулықтар берілген болмаса, олардың пайдалануына арналмаған.
- Қуаттандыру бауының желі ашасы және шайнек корпусының жағдайын мезгілімен тексеріңіз.
- Қуаттандыру бауы зақымданғанда қауіп тудырмау үшін оны дайындаушы, сервистік қызмет немесе баламалы білікті маман ауыстыруы тиіс.
- Аспапты өз бетіңізбен жөндеуге тыйым салынады. Аспапты өз бетіңізбен жөндемеңіз, кез келген ақаулықтар пайда болған кезде, сондай-ақ құрылғы құлағаннан кейін аспапты электр розеткасынан ажыратып, қызмет көрсету орталығына хабарласыңыз.
- Құрылғыны тек зауыт қыптамасымен ғана тасымалдаңыз.
- Құрылғыны балалардың және мүмкіндіктері шектеулі адамдардың қолы жетпейтін жерде сақтаңыз.

ҚҰРЫЛҒЫ ТЕК ТҰРМЫСТЫҚ ПАЙДАЛАНУҒА АРНАЛҒАН, ҚҰРЫЛҒЫНЫ КОМЕРЦИЯЛЫҚ НЕМЕСЕ ЗЕРТХАНАЛЫҚ МАҚСАТТАРДА ПАЙДАЛАНУҒА ТЫЙЫМ САЛЫНАДЫ.

ШАЙНЕКТІ ЖҰМЫСҚА ДАЙЫНДАУ

Құрылғыны тасымалдағаннан кейін немесе төмен температурада сақтағаннан кейін оны бөлме температурасында үш сағаттан кем емес уақыт ұстау қажет.

- Шайнекті қаптамадан шығарыңыз және барлық қаптама материалдарды жойыңыз.
- Зауыт қаптамасын сақтаңыз.
- Қауіпсіздік шаралары мен пайдалану нұсқауларымен танысыңыз.
- Жинақталымын тексеріңіз.
- Шайнекті зақымдануына қатысты байқаңыз зақымдануы болған жағдайда оны желіге қоспаңыз.
- Бұйымның төменгі панелінде немесе түпқоймасында көрсетілген қуаттандыру кернеуінің параметрлері электр желісінің параметрлеріне сәйкес келетініне көз жеткізіңіз. Шайнекті 60 Гц жиіліктегі электр желісінде пайдаланғанда, ешқандай қосымша баптау қажет емес.
- Түпқойманы (4), құттының сыртқы және ішкі бетін (2) шаңды жою үшін таза, сәл дымқыл матамен сүртіңіз.

HAZAP AУДАРЫҢЫЗ! Шайнекпен жұмыс істегенде сақ болыңыз, шыны құты шайнек құлағанда немесе қатты затқа соғылғанда сынуы мүмкін.

- Түпқойманы (4) қатты, тұрақты, тегіс, тайғақ емес, металл емес бетке жылу көздері беттерінің шетінен барынша алыс қашықтықта орнатыңыз.
- Шайнекті жабық кеңістікте, мысалы, шкафқа немесе жабық құрылымдарға орналастырмаңыз және пайдаланбаңыз — бұл оның сынуына, пайдаланушыға немесе оның мүлкіне зиян келтіруіне әкелуі мүмкін.
- Тұтқадан (10) ұстаңыз оны жоғары қарай тартаңыз және қақпақты (9) шешіп алыңыз.
- Шай демдеуге арналған сүзгішті (7) қақпақтан (9) шешіп алыңыз, ол үшін сүзгішті (7) ұстағыштардан бос жаққа қарай сырғытыңыз.
- Қақпақты (9) сүртіп жіберіңіз және сүзгішті (7) бейтарап жуу құралы ерітіндісімен жуып жіберіңіз, шайыңыз және кептіріңіз.
- Бейтарап жуу құралдарын пайдаланып құтыны (5) жуыңыз, шайыңыз және кептіріңіз. Құтының сыртқы бетін (5) сәл дымқыл матамен сүртіңіз, содан кейін құрғатып сүртіңіз. Осы мақсаттарға абразивті тазалау құралдарын және қатты жөкелерді пайдаланбаңыз.
- Шайнекті қосар алдында түпқоймада (4), құтыда (5) қуаттандыру бауында, қуаттандыру бауының ашасында ылғал тамшысы болмауын тексеріңіз.

- Құтының (5) сыртқы бетінде орналасқан шәкіл бойынша шайнекті «MAX» (6) белгісіне дейін сумен толтырыңыз.
- Қақпақты (9) орнатыңыз, шайнектің қақпағы тығыз жабылғанына көз жеткізіңіз.

Ескертпе: судың алғашқы қайнатуын қақпаққа (9) орнатылған сүзгішпен (7) жүргізу ұсынылады.

- Шайнекті түпқоймаға (4) қойыңыз.
- Желі бауының ашасын электр розеткасына тығыңыз, осы кезде дыбыстық белгі естіледі.
- Батырманың «100°C» жарығы көк түспен жанады және жыпылықтайды, қосу/өшіру батырмасын (1) «ON/OFF» басыңыз, батырманың (1) жарығы қызыл түспен жанады және суды қайнату басталады.
- Су қайнаған кезде, дыбыстық белгілер естіледі, батырманың «100°C» жарығы көк түспен жанып тұрады, қосу/өшіру батырмасының жарығы (1) «ON/OFF» жасыл түспен жанып тұрады.

Ескертпе: су қайнағаннан кейін, батырмалардың жарығы 5 минуттан кейін сөнеді.

- Шайнекті түпқоймадан шешіп алыңыз, қайнаған суды қолайлы ыдысқа абайлап құйыңыз.
- Шайнек құтысының ішінде (5) қайнаған су екенін есте сақтаңыз, өрқашан шайнекті тек қолсаынан ұстаңыз (11) шайнекті күрт еңкейтпеңіз, шайнекті ұқыпсыз пайдаланғанда, сіз ыстық суға күйіп қалуыңыз мүмкін.
- Суды қайнату рәсімін бірнеше рет қайталаңыз.

НАЗАР АУДАРЫҢЫЗ! Ыстық бұға күйіп қалмас үшін, шайнек шүмегінің (8) үстіне еңкеймеңіз.

- Алғашқы қайнату нәтижесінде алынған ыстық суды тамаққа қолдану ұсынылмайды, оны тұрмыстық қажеттіліктер үшін пайдалануға болады.

ЭЛЕКТР ШАЙНЕКТИ ПАЙДАЛАНУ

- Шайнекті қатты, тұрақты, тегіс, тайғақ емес, металл емес бетке жылу көздері беттерінің шетінен барынша алыс қашықтықта орнатыңыз.

СУДЫ ҚАЙНАТУ

- Тұтқадан (10) ұстаңыз оны жоғары қарай тартыңыз және қақпақты (9) шешіп алыңыз.
- Шайнекті сумен «MIN» белгісінен төмен емес және максималды «MAX» (6) белгісінен жоғары емес қылып толтырыңыз.
- Қақпақты жабыңыз (9) және толтырылған шайнекті түпқоймаға (4) орнатыңыз.

Ескертпе: егер сіз тікелей шайнектің құтысында (5) шай демдеуді жоспарламасаңыз, сүзгішті (7) қақпаққа (9) орнатпаңыз.

- Желі бауының ашасын розеткаға тығыңыз, осы кезде дыбыстық белгі естіледі, батырманың «100°C» жарығы көк түспен жанады және жыпылықтайды.
- Батырманы қосу/өшіру (1) «ON/OFF» басыңыз, батырманың (1) «ON/OFF» жарығы қызыл түспен жанады және суды қайнату басталады.

- Су қайнаған кезде, дыбыстық белгілер естіледі, батырманың «100°C» жарығы көк түспен жанып тұрады, қосу/өшіру батырмасының жарығы (1) «ON/OFF» жасыл түспен жанып тұрады.
- Шайнекті өшіру қажет болса, қосу/сөндіру батырмасын (1) «ON/OFF» басыңыз.

БЕРІЛГЕН ТЕМПЕРАТУРАҒА ДЕЙІН СУДЫ ҚЫЗДЫРУ

- Сіз суды қажетті температураға дейін қыздыра аласыз. Шайдың түрлі сұрыптарын қайнату үшін судың белгілі бір температурасы қажет.
- Ақ және жасыл 40°C - балалар тағамы, шай үшін — 70 °C, еритін кофе үшін — 85 °C, қара шай үшін — 100 °C су температурасын пайдалану ұсынылады.
- 40 °C, 70 °C, 85 °C, 100 °C температурасын таңдау бұл жағдайда батырманың жарығы көк түспен жанады және жыпылықтайды, ал батырманың (1) «ON/OFF» жарығы қызыл түспен жанады, қыздыру элементі қосылады және су белгіленген температураға дейін қызады.
- Берілген температураға жеткенде дыбыс белгісі естіледі, батырмаларының жарығы өшеді.
- Қыздыру қызметін сөндіру қажет болса, қосу/сөндіру батырмасын (1) «ON/OFF» басыңыз.

БЕРІЛГЕН ТЕМПЕРАТУРАНЫ ҚОЛДАУ ҚЫЗМЕТІ

Ескертпе:

- қызмет берілген су температурасын 2 сағат бойы қайта қайнатпай қолдап тұруға мүмкіндік береді. Осы уақыт өткеннен кейін температура- ны қолдау режимі автоматты түрде өшіріледі.
- температураны қолдау жұмыс режимі мезгілдік болады, егер шайнек құтысындағы су температура- сы 5 градусқа төмендесе, қайнау режимі қосылады, қайнатылғаннан кейін су белгіленген температураға дейін салқындатылады.
- 40 °C, 70 °C, 85 °C температураны таңдау үшін батырмалардың (9) бірін басыңыз, бұл ретте батырманың жарығы көк түспен жанады және жыпылықтайды қосу/өшіру батырмасын (1) «ON/ OFF» басыңыз, бұл ретте батырманың (1) «ON/ OFF» жарығы қызыл түспен жанады және қызды- ру элементі қосылады, температураны қолдау ре- жимін қосу/өшіру батырмасын (3) «KEEP WARM» басыңыз, батырманың жарығы (3) «KEEP WARM» көк түспен жанады.
- Су қайнағаннан кейін дыбыстық белгі естіледі және шайнек судың температурасын ұстап тұру режиміне өтеді, егер судың температурасы 5 гра- дусқа төмендесе, қайта қайнату қосылады және содан кейін судың температурасын ұстап тұру режимі қосылады.

Ескертпе: суды ұстап тұру температурасы 100°C қойылғанда, қайта қайнату су температурасы 85°C болғанда қосылады.

- Қыздыру қызметін сөндіру қажет болса, темпера- тураны қолдау режимін (3) «KEEP WARM» қосу/ сөндіру батырмасын басыңыз.

Ескертпе:

- егер шайнекті түпқоймадан 1 минуттан аз уақытқа шешіп алсаңыз, температураны қолдау режимі қосылған күйінде қалады.
- егер шайнек ұзақ уақытқа шешіліп алынса, дыбыс белгісі естіледі, және қыздыру режимі өшіріледі.
- Егер сіз шайнекті кездейсоқ қосып қойсаңыз, ал судың деңгейі минималды белгіден төмен болса, онда автоматты термосақтандырғыш қосылады және шайнек өшеді. Бұл жағдайда шайнекті түпқоймадан (4) шешіп алыңыз және 10-15 минут бойы суытыңыз, содан кейін шайнекті сумен тол- тырыңыз және қосыңыз, электр шайнек қалыпты режимде жұмыс істейтін болады.

ШАЙ ДЕМДЕУ

- Тұтқадан (10) ұстаңыз оны жоғары қарай тар- тыңыз және қақпақты (9) шешіп алыңыз.
- Сүзгішке (7) шайдың қажетті мөлшерін себіңіз және сүзгішті (7) қақпақтың (9) ішкі бетіне ор- натыңыз, сүзгіштің (7) сенімді бекітілгеніне көз жеткізіңіз.

- Шайнекті «MIN» белгісінен төмен қылмай және шкаладағы (6) «MAX» белгісінен жоғары қылмай суға толтырыңыз.
- Батырмаларды (2) «40-70-85-100°C» басу арқылы, шайдың осы сұрпы үшін, суды қыздырудың қажетті температурасын таңдаңыз («БЕЛГЛЕН-ГЕН ТЕМПЕРАТУРАҒА ДЕЙІН СУДЫ ҚЫЗДЫРУ» бөлімін қараңыз).
- Шайнекті батырманы (1) «ON/OFF» басу арқылы қосыңыз.
- Шайнекті қолданғаннан кейін, оның салқындауын күтіңіз, қақпақты (9) шешіп алыңыз, сүзгішті (7) шешіп алыңыз, сүзгішті (7) ағынды судың астында жуып жіберіңіз. Уақыт өте келе, сүзгіште (7) қарайған қақ пайда болуы мүмкін, оны ас содасымен кетіріп тастауға болады. Шүберекті сумен сулаңыз, оған біраз мөлшерде ас содасын салыңыз және сыртқы және ішкі жағынан сүзгішті (7) ысқылап жіберіңіз, қарайған қақты кетіргеннен сүзгішті (7) шайыңыз және кептіріңіз.

ТАЗАРТУ ЖӘНЕ КҮТІМІ

- Тазалау алдында шайнекті электр желісінен ажыратып, суды ағызыңыз және шайнекті суытыңыз.
- Түпқойманы (4) және түпқойманың сыртқы бетін (5) сәл дымқыл матамен сүртіңіз, содан кейін түпқойманы (4) және құтыны (5) құрғатып сүртіңіз. Ластануды жою үшін жұмсақ тазалағыш

құралдарды пайдаланыңыз, металл губкаларды және абразивті жуғыш заттарды және еріткіштерді пайдаланбаңыз.

- Электр шайнекті суға немесе басқа да сұйықтықтарға батырмаңыз, оны ыдыс жуғыш машинада жууға тыйым салынады.

ҚАҚТЫ ЖОЮ

- Құтының (5) ішінде түзілетін қақ судың дәмдік сапасына әсер етеді, су мен жылыту элементі арасындағы жылу алмасуын бұзады, сондай-ақ қыздыру элементінің істен шығып қалу қаупін тудырады, құтыдағы (5) қақтың көп мөлшерінен қыздыру элементінің жанып кетуі кепілдік жағдайы болып табылмайды.
- Қақты жою үшін арнайы қақты жою құралдарын, сондай-ақ тұрмыстық мысалы, сірке су немесе лимон қышқылын қолдануға болады.
- Қақты жою үшін, құтыны (5) 1/3 сумен толтырыңыз және оны қайнатыңыз. Қақпақты ашыңыз және ас сірке суын (6-9%) «MAX» белгісіне дейін құйыңыз, шайнектегі сұйықтықты бірнеше сағатқа қалдырыңыз. Қақ ерігеннен кейін, сұйықтықты төгіңіз және құтыны (5) бірнеше рет шайыңыз. Сірке суының иісін жою үшін бірнеше рет су қайнатыңыз.
- 500 мл ыстық суға 25 г лимон қышқылын ерітіңіз.
- Алынған ерітіндіні шайнекке құйыңыз және 15-30 минутқа қалдырыңыз.
- Сұйықтықты төгіңіз және құтыны (5) бірнеше рет шайыңыз, суды бірнеше рет қайнатыңыз.

- Қақты жою үшін электр шайнектерге немесе кофе машиналарына арналған арнайы құралдарды пайдалануға болады, оларды қолдану жөніндегі нұсқаулықты қатаң ұстаңыз, ол құралдың қаптама-сында немесе сатушы ұсынатын қосымша материалдарда орналастырылуы тиіс.
- Шайнекті қақтан мезгілімен тазалаңыз.

САҚТАУ

- Шайнекті ұзақ уақыт сақтауға қояр алдында, оны электр желісінен ажыратыңыз, суды ағызып, құрылғыны салқындатыңыз.
- Түпқойманы (1) және құтыны (2) тазалаңыз.
- Шайнекті құрғақ салқын жерде балалар мен мүмкіндігі шектеулі адамдардың
- қолдары жетпейтін жерде сақтаңыз.

ЖЕТКІЗІЛІМ ЖИНАҒЫ

1. Электр шайнек — 1 дн.
2. Түпқойма — 1 дн.
3. Нұсқаулық — 1 дана.

ТЕХНИКАЛЫҚ СИПАТТАМАЛАРЫ

- Қуаттандыру кернеуі: 220-240 В, ~ 50/60 Гц
- Номиналдық тұтыну қуаттылығы: 2200 Вт
- Судың максималдық көлемі: 1,5 л

ПАЙДАҒА АСЫРУ



Қалдықтардың бақыланбай пайдаға асыруынан қоршаған ортаға немесе адамдардың денсаулығына зиян келтірмеу үшін, құрылғының немесе қуаттандыру элементтерінің (егер жинақталымға кірсе) қызмет ету мерзімі аяқталғаннан

кейін оларды әдеттегі тұрмыстық қалдықтармен бірге тастамаңыз, аспапты және қуаттандыру элементтерін одан әрі пайдаға асыру үшін арнайы пункттерге жіберіңіз.

Бұйымдарды пайдаға асыру кезінде пайда болатын қалдықтар белгіленген тәртіп бойынша келесі пайдаға асырылатын тәртіппен міндетті түрде жинауға жатады.

Берілген өнімді пайдаға асыру туралы қосымша ақпаратты алу үшін жергілікті муниципалитетке, тұрмыстық қалдықтарды пайдаға асыру қызметіне немесе берілген өнімді сіз сатып алған дүкенге жүгініңіз.

Өндіруші алдын-ала ескертусіз, құрылғының дизайнын, конструкциясы мен оның жалпы жұмыс ұстанымдарына әсер етпейтін техникалық сипаттамаларын өзгерту құқығын өзіне қалдырады.

Құрылғының қызмет ету мерзімі – 3 жыл

Өндірілген күні сериялық нөмірде көрсетілген.

Қандай да бір ақаулықтар табылған жағдайда дереу авторландырылған сервистік орталыққа жүгіну керек.

brayer.ru

