

SN-CA-304E	SN-CA-404E
SN-CA-304EW	SN-CA-404EW
SN-CA-304EWS	SN-CA-404EWS

DESCRIPTION



Capacity: 4 x 2/3 GN - 4 x 46x34



Trays insertion: Cross wise



Dimensions: 585 x 655 x H 570 mm



Control panel: Analogic



Indicative quantity of meals: --



Cooking chamber heating: Electric

Steam generation: --

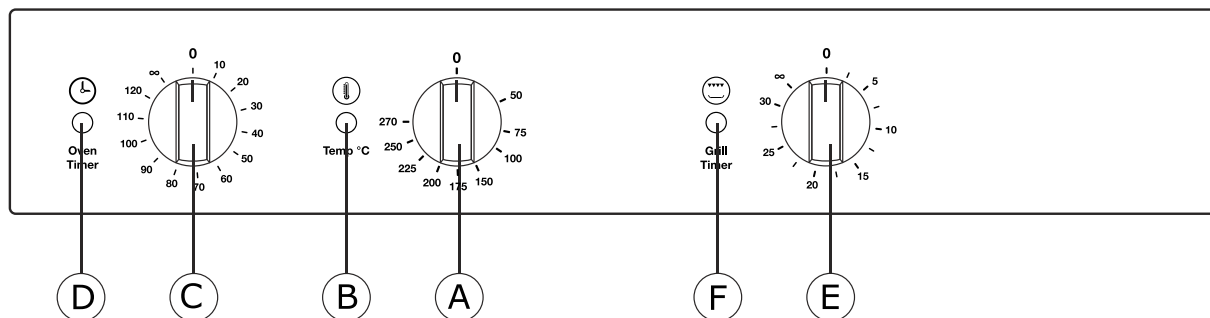
COOKING MODES AND FUNCTIONING

	Convection mode	Temperature range between 50 °C and 270 °C
	Salamander (mod. S)	Electric grill with timer



SN-CA-304E	SN-CA-404E
SN-CA-304EW	SN-CA-404EW
SN-CA-304EWS	SN-CA-404EWS

COMPONENT DESCRIPTION ON THE CONTROL PANEL



A	Cooking chamber thermostat		
B	Heating cooking chamber ON pilot light		
C	Timer		
D	Timer ON pilot light		
E	Grill timer (mod. S)		
F	Grill timer ON pilot light (mod. S)		

MANUFACTURING FEATURES

- Heating system located on the back side of the cooking chamber;
- Waterproof cooking chamber in stainless steel AISI 430;
- Cooking chamber with external welding;
- External covering panels made of satin stainless steel AISI 430;
- Base chassis made of stainless steel AISI 430;
- Heating elements made of stainless steel Incoloy 800;
- Thermal insulation of the cooking chamber in ceramics fibre;
- Cooking chamber fans made of stainless steel;

SN-CA-304E	SN-CA-404E
SN-CA-304EW	SN-CA-404EW
SN-CA-304EWS	SN-CA-404EWS

OPTIONAL ACCESSORIES

Code	Description
S-33G8	Stand
SG-33G8	Stand with tray-slides

DIMENSIONS

	OVEN	PACKAGE
Width	585 mm	620 mm
Depth (with door handle)	655 mm	690 mm
Height	570 mm	760 mm
Weight/Volume		41 kg / 0.33 m ³

WATER SUPPLY

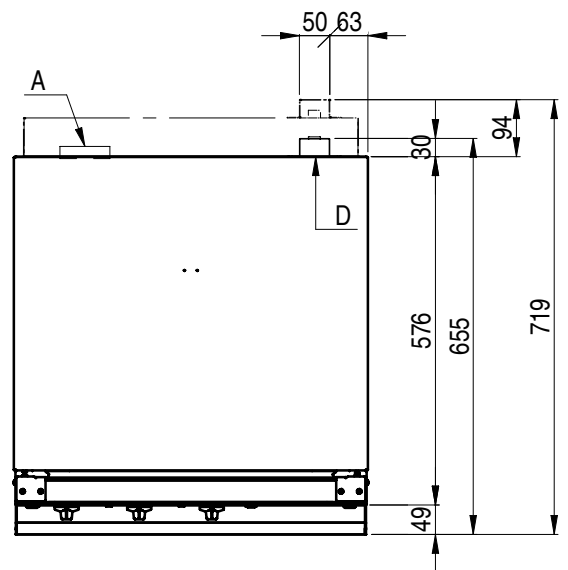
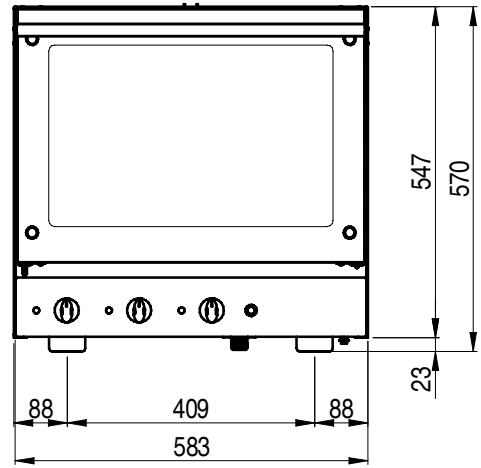
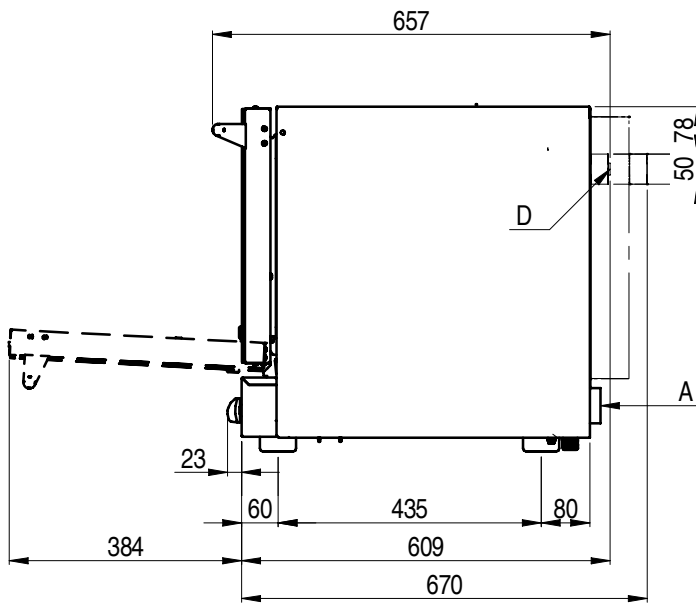
Water supply coupling	--
Water pressure	
Water hardness	
Water conductivity	
Chlorine concentr. Cl₂	
Chloride concentration	
Water drain coupling	--

POWER SUPPLY

Model	SN-CA-304E	SN-CA-404E	SN-CA-304EW	SN-CA-404EW	SN-CA-304EWS	SN-CA-404EWS
Power loading	2.7 kW	2.7 kW	3.2 kW	3.2 kW	3.6 kW	3.6 kW
Chamber power	2.65 kW	2.65 kW	3.1 kW	3.1 kW	2.8 kW	2.8 kW
Grill power	--	--	--	--	0.7 kW	0.7 kW
Power of the motors	n° 1 x 55 W	n° 1 x 55 W	n° 2 x 55 W	n° 2 x 55 W	n° 2 x 55 W	n° 2 x 55 W
Max. power loading	2.7 kW	2.7 kW	3.2 kW	3.2 kW	3.6 kW	3.6 kW
Voltage	220-240 V N1 ~ 50/60 Hz					
Absorbed current	4.0 A	4.0 A	5.5 A	5.5 A	5.8 A	5.8 A
Feed cable section	Electric cable included					

Capacity	4 x 2/3 GN	4 x 46x34	4 x 2/3 GN	4 x 46x34	4 x 2/3 GN	4 x 46x34
Pitch between trays	70 mm					

SN-CA-304E	SN-CA-404E
SN-CA-304EW	SN-CA-404EW
SN-CA-304EWS	SN-CA-404EWS



A Electrical cables connection
 D Cooking chamber release valve