
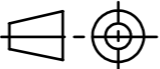
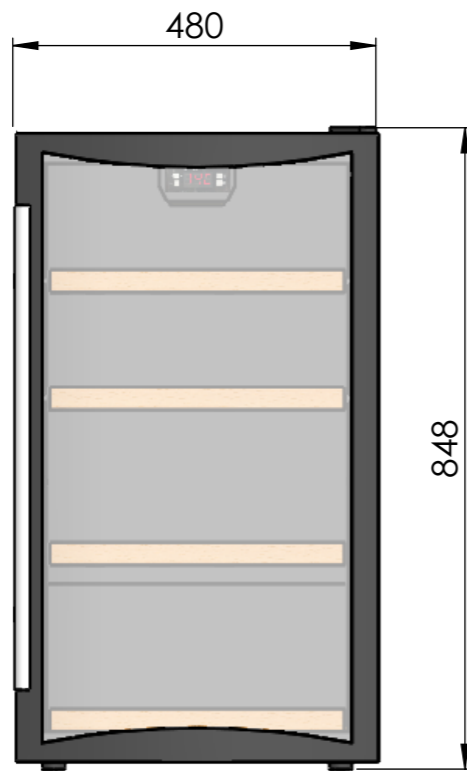


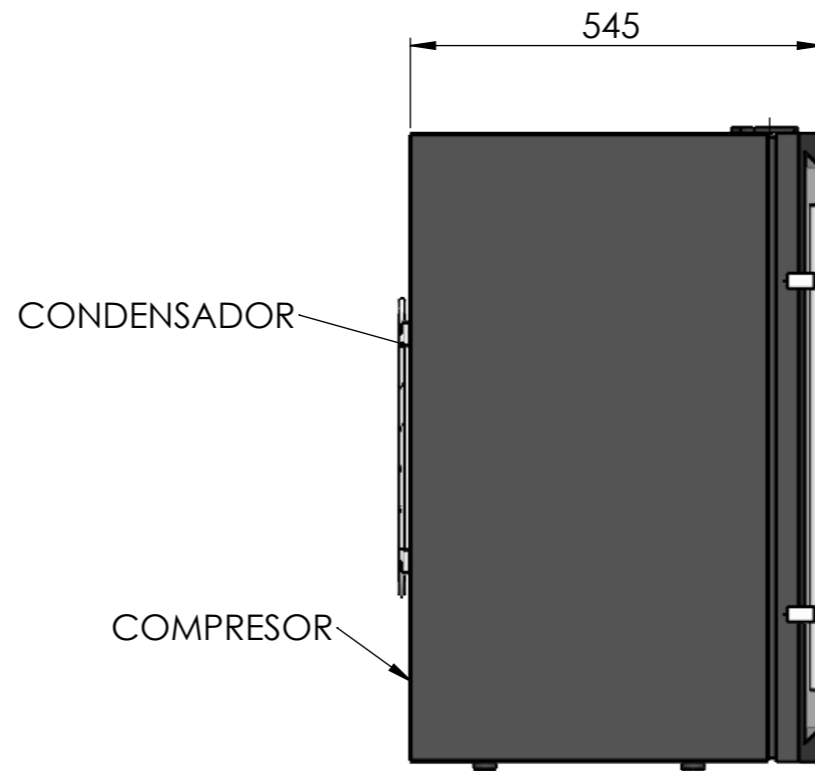


# TW30T

	Date	Name	 THE INFORMATION CONTAINED IN THIS DRAWING IS THE SOLE PROPERTY OF CAVANOVA. ANY REPRODUCTION IN PART OR AS A WHOLE WITHOUT THE WRITTEN PERMISSION OF CAVANOVA IS PROHIBITED.	
Design:	04/09/2019	Diego		
Checked:		Diego		
Modified:		Diego		
Notes:	Scale: 1:20	Part name: TW30T	Top assembly: TW30T	Client: Cavanova
		Description:	Capacidad para 30 botellas	
		Material: Acero pintado		
		Reference: TW30T		
		Count: 1		
Pages: 1 OF 4				



ALZADO



PERFIL



DATOS TÉCNICOS	
Volumen	115L
Peso	33.5kg
Botellas	30
Rango de temperatura	4-18°C
Frecuencia	50-60hz
Consumo	160Kwh/año
Voltaje	220/240V
Ruido	43db
Refrigerante	R600a
Humedad interior	>70%RH
Sistema de frío	Compresor

	Date	Name
Design:	04/09/2019	Diego
Checked:		Diego
Modified:		Diego

**cavanova**

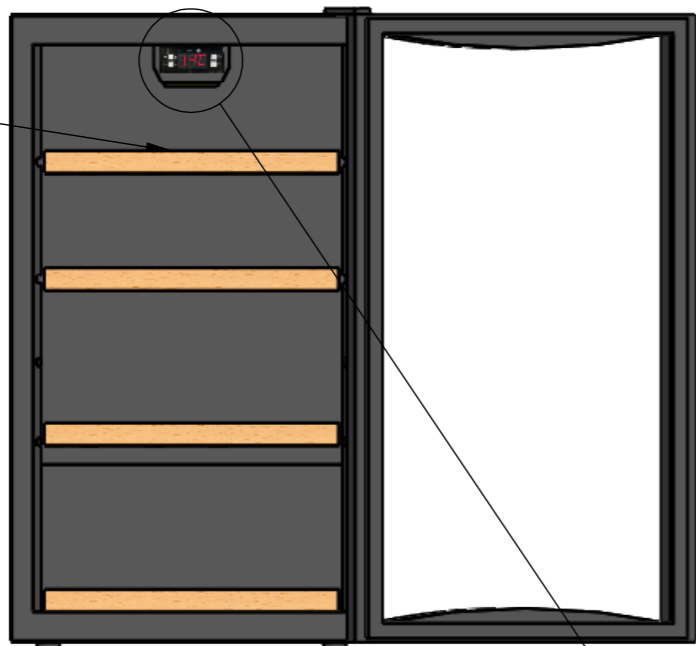
THE INFORMATION CONTAINED IN THIS DRAWING IS THE SOLE PROPERTY OF CAVANOVA WINE S.L. IN MÁLAGA, SPAIN. ANY REPRODUCTION IN PART OR AS A WHOLE WITHOUT THE WRITTEN PERMISSION OF CAVANOVA WINE S.L. IS PROHIBITED.

Sign:

Scale: 1:20	Part name: TW30T	Top assembly: TW30T
Unit: mm	Description: Capacidad para 30 botellas	

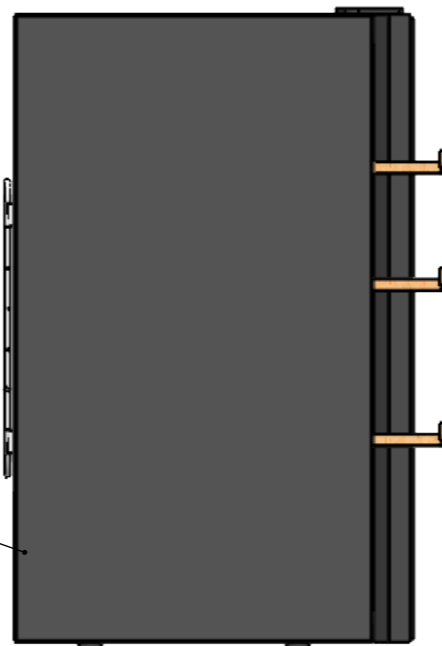
Client: Cavanova
Material: Acero pintado
Reference: TW30T
Count:
Pages: 2 OF 4

4 baldas de madera



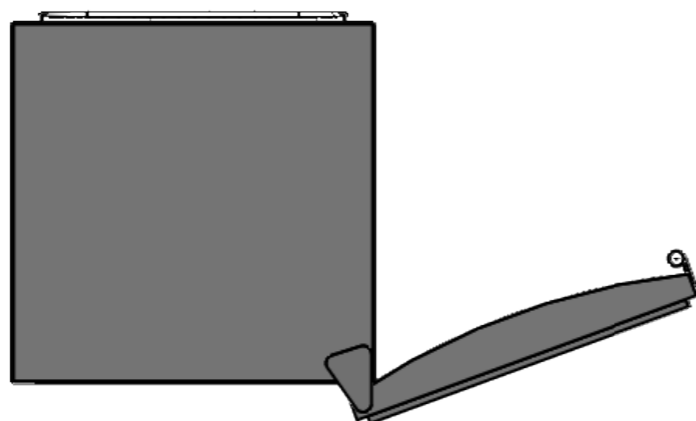
ALZADO

Compresor

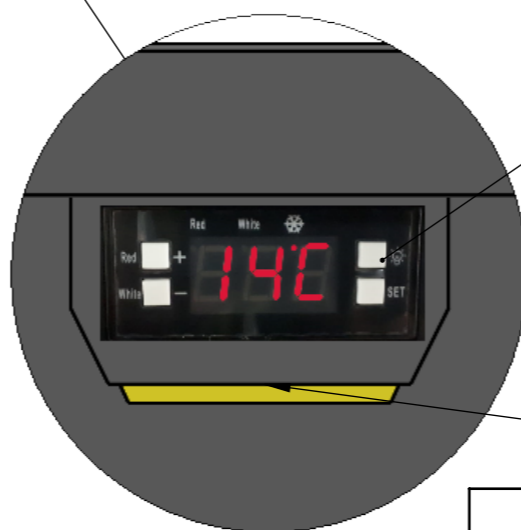


PERFIL

Baldas extraíbles



PLANTA



Control de temperatura

Luz

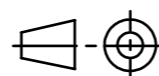
DATOS TÉCNICOS	
Volumen	115L
Peso	33.5kg
Botellas	30
Rango de temperatura	4-18°C
Frecuencia	50-60hz
Consumo	160Kwh/año
Voltaje	220/240V
Ruido	43db
Refrigerante	R600a
Humedad interior	>70%RH
Sistema de frío	Compresor

	Date	Name
Design:	04/09/2019	Diego
Checked:		Diego
Modified:		Diego
Scale: 1:20	Part name: TW30T	Top assembly: TW30T
Unit: mm		

**cavanova**

THE INFORMATION CONTAINED IN THIS DRAWING IS THE SOLE PROPERTY OF CAVANOVA WINE S.L. IN MÁLAGA, SPAIN. ANY REPRODUCTION IN PART OR AS A WHOLE WITHOUT THE WRITTEN PERMISSION OF CAVANOVA WINE S.L. IS PROHIBITED.

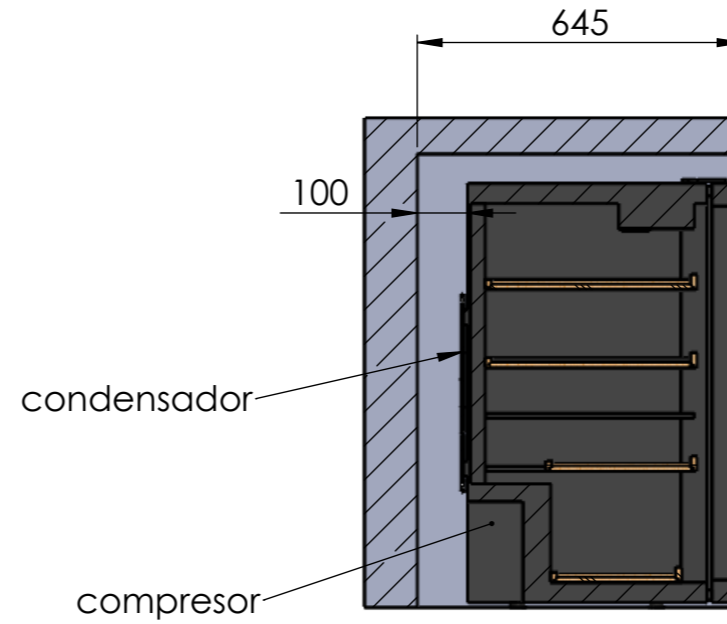
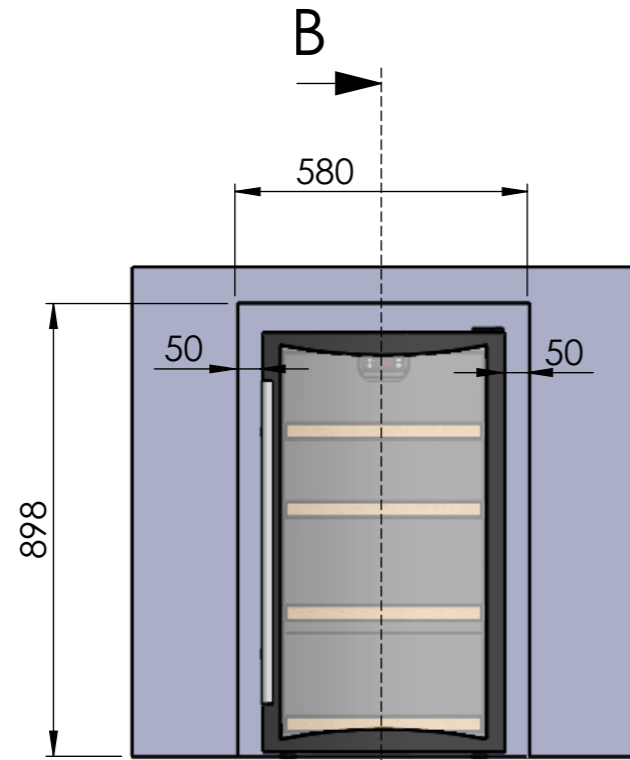
Sign:



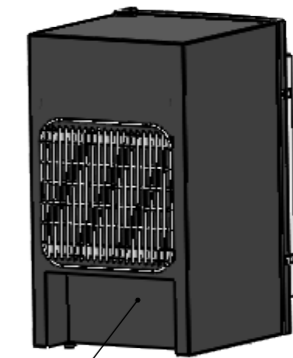
Description:  
Capacidad para 30 botellas

Client:	Cavanova
Material:	Acero pintado
Reference:	TW30T
Count:	
Pages:	3 OF 4

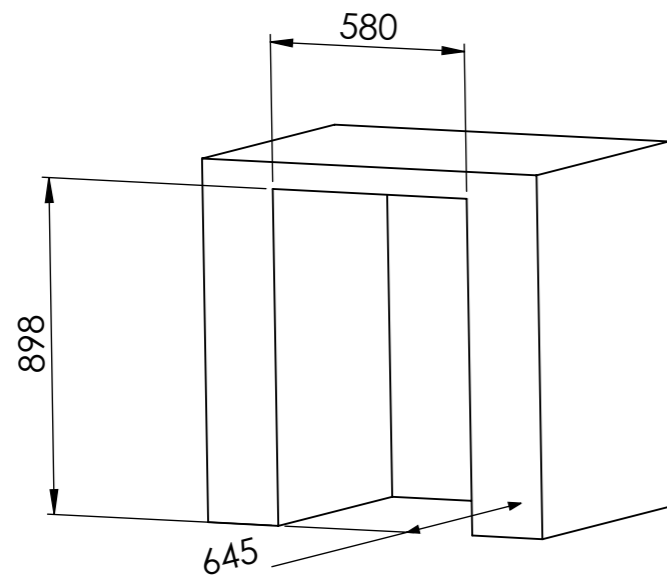
Medidas recomendadas	
Altura	898mm
Anchura	50mm por cada lado
Profundidad	100mm de espacio



SECCIÓN B-B



Compresor (correcta ventilación)



Hueco para vinoteca

	Date	Name	 <small>THE INFORMATION CONTAINED IN THIS DRAWING IS THE SOLE PROPERTY OF CAVANOVA WINE S.L. IN MÁLAGA, SPAIN. ANY REPRODUCTION IN PART OR AS A WHOLE WITHOUT THE WRITTEN PERMISSION OF CAVANOVA WINE S.L. IS PROHIBITED.</small>	
Design:	03/09/2019	Diego		
Checked:		Diego		
Modified:		Diego		
Scale: 1:20	Part name: TW30T-ENTORNO	Top assembly: TW80T	Client: Cavanova	
Unit: mm			Material: Varios	
	Description:		Reference: TW30T-ENTORNO	
	Empotramiento del equipo (built-in)		Count:	
			Pages: 4 OF 4	

Sign: