

DESCRIPTION

BETA BN is a vertical meat slicer with clear slice exit design.

It is possible to cut slices of thickness up to 30 mm. Thin carpaccio or thick steaks become an easy job with Beta.

Easy and safe cleaning after 10 hours of hard work. Ideal machine for butcher shops, supermarkets and large size kitchens.

CLEAR SLICE EXIT DESIGN

The entire area behind the blade is completely free:

- no obstacles at the slice exit,
- wide slice collection area,
- attractive style.

FEATURES

Two available sizes: with 300 mm or 350 mm blade. Anodized aluminium casting construction: sturdy and light weight.

High quality hardened chromium steel alloy blade.

Powerful and noiseless motor.

Insulated electric controls with safety **No Volt Release**.

Multygrip belt drive: always the right grip.

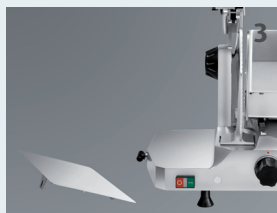
Carriage smooth glide motion.

Stainless steel ball-bearing blade pulley.

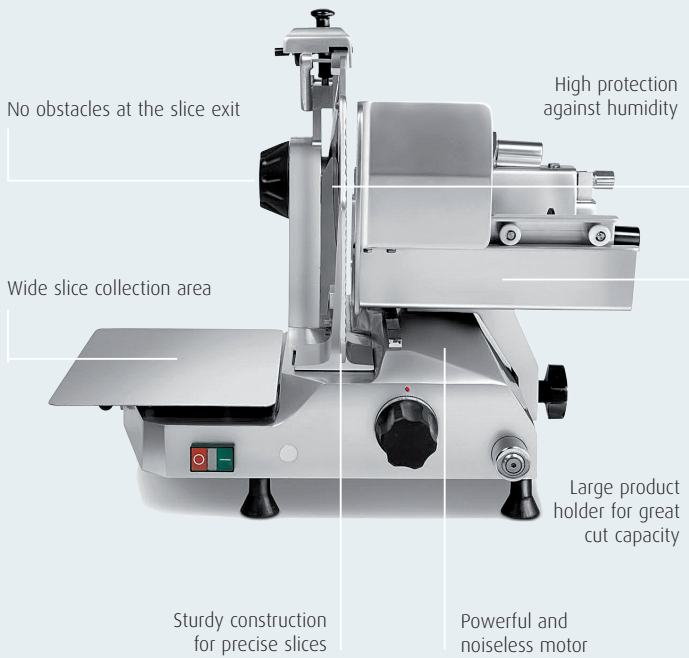
Equipped with **SBR** (Safe Blade Removal) (pict. **1**, **2**).

Wide receiving stainless steel tray, removable for cleaning purposes (pict. **3**).

Built-in sharpener, removable for cleaning purposes (pict. **4**).



Model **BETA BN 300/350 SBR**



AVAILABLE CONFIGURATIONS

ANODYZED



All external aluminium parts are silver anodized:
TRADITIONAL SILVER FINISHING.

BASIC QUANTANIUM



Gauge plate, blade and blade cover disc are non-stick coated. Remaining aluminium parts are anodized: *CHEESE CUTTING IS NO MORE A PROBLEM.*

STANDARD OUTFIT



SBR quick release disc.

AVAILABLE OPTIONS



Non stick coated blade, perfect for cheese and fish cutting. Already included in **Quantanium®** configuration.



Quantanium® with Titanium particles reinforced three-layer-non-stick coating will allow:
● smoothness: difficult products

like cheese or fresh meat do not stick and products slide smoothly and frictionless;
● higher resistance to abrasion;
● resistance to most aggressive detergents.

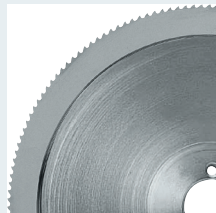


User Manual, CE compliance declaration and "TEN BASIC RULES" Cardboard.

ES (Energy saver): drastically reduces power consumption.

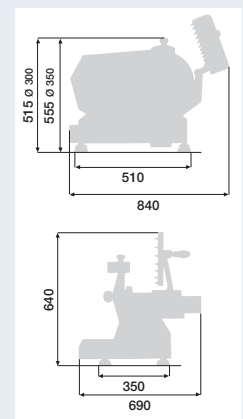


FAST CLEANER detergent, Cleaning nylon brush, Oiler.



Serrated blade for frozen food cutting.

DIMENSIONS



SPECIFICATIONS AND SHIPPING INFORMATION

Model name	Blade mm	Power Hp/kW	Drive	Cut Capacity mm	Cut thick. mm	Net weight kg
BETA BN 300 SBR	300	0,35/0,25	BELT	270x205 ○ 205	30	35
BETA BN 350 SBR	350	0,35/0,25	BELT	270x230 ○ 230	30	36

SHIPPING

Dimension	Weight
cm 83x73x71	43 kg
cm 83x73x71	44 kg

All voltages and frequencies are available on request.