

Apach

COOK *line*

Catalogo parti di ricambio valido
dalla matricola 0000001 (31.10.2006) ad oggi (10.03.2023)

Catalogue pieces detachees
valable à partir du numero de Série n. 0000001 (31.10.2006) jusqu'à aujourd'hui
(10.03.2023)

Ersatzteilkatalog
gültig ab Serien-Nr. 0000001 (31.10.2006) bis heute (10.03.2023)

Spare parts catalogue
valid from serial no. 0000001 (31.10.2006) up today (10.03.2023)

Catálogo de peças de reposição
válido do número de série 0000001 (31.10.2006) até hoje (10.03.2023)

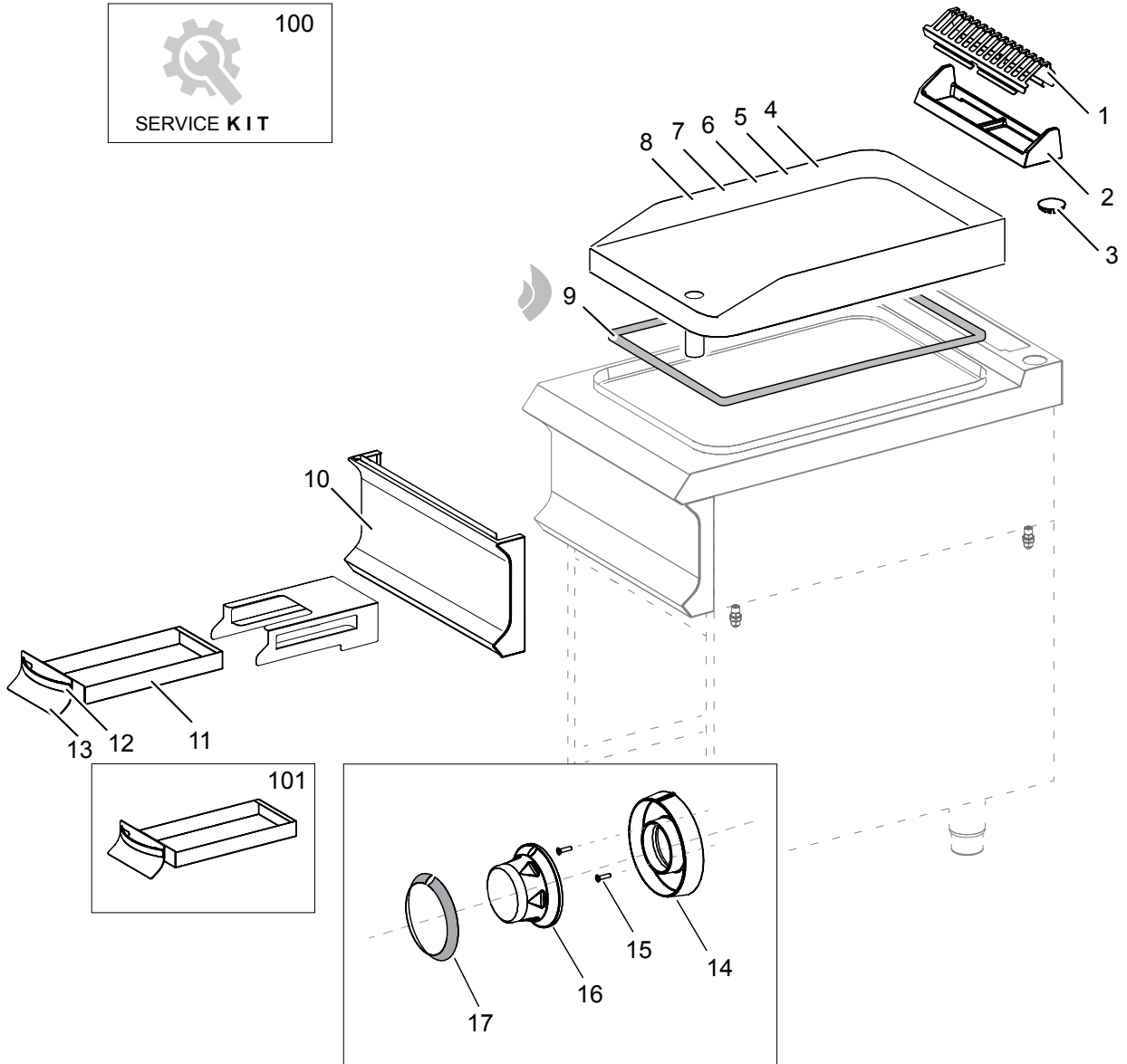
Le informazioni sono considerate non vincolanti. Le immagini rappresentate sono puramente indicative. Il produttore si riserva il diritto di apportare modifiche in qualsiasi momento senza preavviso.

Les informations données ne sont pas contraignantes. Les images montrées sont à titre indicatif. Le producteur se réserve le droit d'apporter des modifications sans préavis.

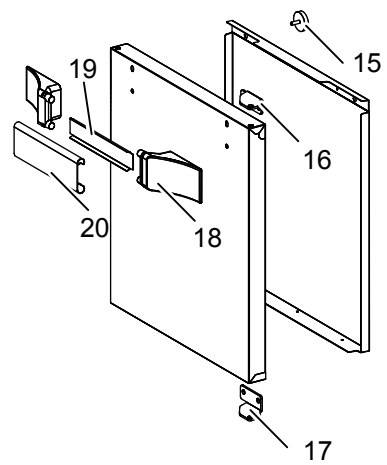
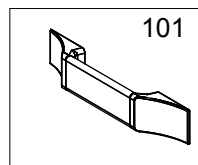
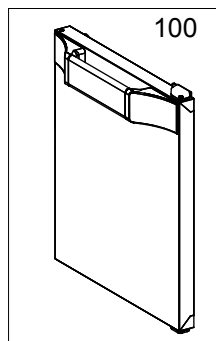
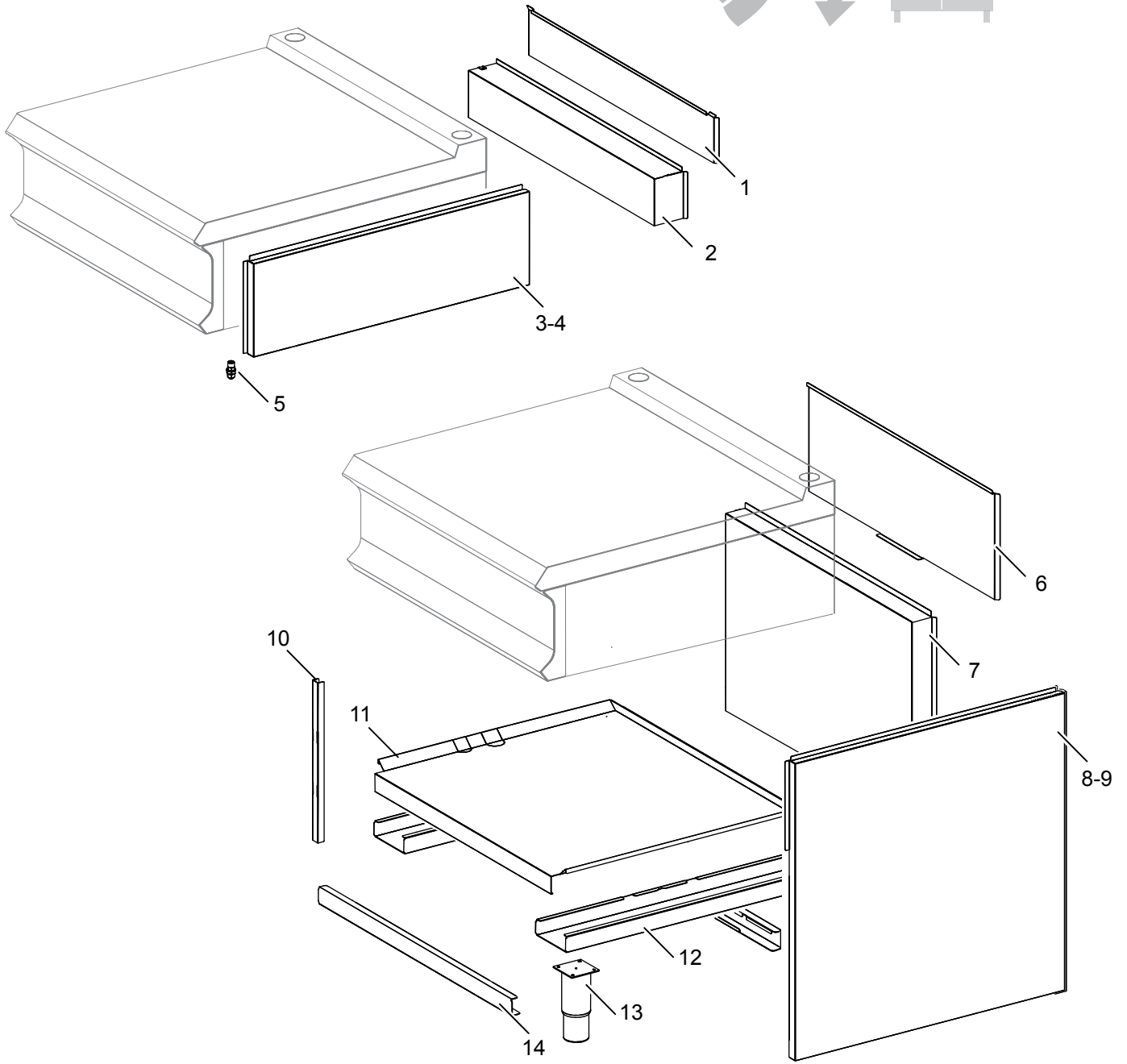
Die im vorliegenden Dokument aufgeführten Informationen und Bilder sind unverbindlich. Der Hersteller behält sich das Recht vor, jederzeit ohne vorherige Ankündigung Änderungen vorzunehmen

Info and drawing could be slightly different from reality and they cannot be considered as compelling. Manufacturer can modify info anytime without forewarning.

As Informações e desenhoS podem estar um pouco diferente da realidade e são puramente indicativas. O fabricante pode modificar estas informações a qualquer momento sem aviso prévio.



Nr.	Code	Title	Recommended
1.	202046	CHIMNEY GRILL	
4.	201872	SMOOTH HOB	
5.	201875	SMOOTH CHROME HOB	
6.	201878	STRIPED HOB	
9.	163290	INSULATION	
10.	202291	CONTROL PANEL	
11.	203182	OIL DRAWER	
12.	160270	HANDLE SATIN NICKEL	
13.	203869	OIL DRAWER EXTERNAL PANEL	
16.	202201	BURNER KNOB	
17.	201340	THERMOSTAT RING	
100.	ECS7016	RECOMMENDED PARTS FOR FTBG74-77	
101.	RIC0005135	OIL DRAWER COMPLETE	



Nr.	Code	Title	Recommended
6.	200036	<i>BACK SIDE TALL</i>	
7.	200033	<i>BACK SIDE LOWER</i>	
8.	200031	<i>LATERAL SIDE RIGHT</i>	
9.	200032	<i>LATERAL SIDE LEFT</i>	
11.	200015	<i>REMOVABLE LOWER FLOOR</i>	
12.	200030	<i>CROSS FEET</i>	
13.	RTCU700277	<i>FOOT</i>	
14.	200029	<i>FRONT / REAR CROSS MEMBER</i>	

Nr.	Code	Title	Recommended
1.	RTCP800034	3 WAYS PILOT BURNER	✓
2.	RTCP800033	ROUND SPARK PLUG	✓
3.	RTCU700296	THERMOCOUPLE	✓
4.	RTCP800038	T/COUPLE AND PILOT PIPE NUT	✓
5.	INIETTORE	SEE HANDBOOK NOZZLES	
6.	RTCU800183	BICONE D.6 MM.11	✓
7.	RTCU800182	NUT AC.D.6 BLACK HEIGHT 11 MM.	✓
8.	RTCU900215	SPARK NUT	✓
9.	186315	BURNER	✓
10.	RTCU700584	AIR REGULATOR BURNER	
11.	INIETTORE	SEE HANDBOOK NOZZLES	
12.	RTCU900005	LOCK NUT	✓
13.	RTCU900337	INJECTOR SUPPORT	✓
19.	201658	LEFT BURNER PILOT PIPE	
20.	RTCU800339	NUT D.6	
21.	RTCU900018	BICONE D.6 MM.6	✓
24.	RTCU900384	OVEN LIGHTING CABLE	✓
25.	168890	TRASPARENT SILICON PIPE	
100.	RTCU900474-00	KIT THERMOCOUPLE	
101.	201659	LEFT BURNER FEED PIPE	
102.	RIC0005146	LEFT PILOT TUBE KIT	
103.	RIC0004862	GAS THERMOSTAT	✓
105.	RIC0004096	PIEZO IGNITION + LIGHTING CABLE	✓