



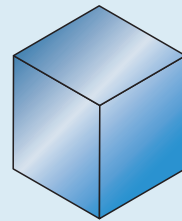
# Ice Maker: IM-240ANE (23) / IM-240AWNE



## Product Description

The IM-240ANE (-23) (air cooled) and the IM-240AWNE (water cooled) are modular cube ice maker. These products produce up to 240kg per 24 hours and can be used in combination with all available bins.

- A closed water circuit offers the ultimate contamination protection, by reducing the number of points at which impurities can enter the ice making process.
- Hoshizaki ice makers are micro computer controlled, controlling the ice making process to perform at its best under varying circumstances, without having to make physical adjustments.
- A stainless steel exterior provides a hygienic and high quality finish.
- Foam injected polyurethane for insulation (HFC free), helps preserve the quality and consistency of the ice produced, reducing the number of production cycles.
- An easily cleanable air filter allows end users to carry out a routine cleaning schedule, extending product life expectancy and reducing the frequency and costs of maintenance call-outs.



Ice Type: Cube

IM-240ANE / IM-240AWNE  
Ice Size: Standard (L) 28 x 28 x 32mm

IM-240ANE-23  
Ice Size: Medium 28 x 28 x 23mm



## Available Models

## Ice Production

Model	Air Cooled	Water Cooled	Ice Production per 24h (Approx.)		Temperature	Ice Production per Cycle (Approx.)	Water Consumption per 24h (Approx.)
			Dimple 5mm	Dimple 15mm			
IM-240ANE	✓		220kg 205kg 160kg	240kg 230kg 190kg	AT.10°C, WT.10°C AT.21°C, WT.15°C AT.32°C, WT.21°C	3.2kg / 140 pcs	0,76m <sup>3</sup> 0,36m <sup>3</sup> 0,34m <sup>3</sup>
IM-240ANE-23	✓		180kg 175kg 165kg	225kg 215kg 195kg	AT.10°C, WT.10°C AT.21°C, WT.15°C AT.32°C, WT.21°C	2.38kg / 140 pcs	0,80m <sup>3</sup> 0,40m <sup>3</sup> 0,38m <sup>3</sup>
IM-240AWNE		✓		240kg 205kg 200kg	AT.10°C, WT.10°C AT.21°C, WT.15°C AT.32°C, WT.21°C	3.2kg / 140 pcs	1,05 m <sup>3</sup> 0,75 m <sup>3</sup> 0,50 m <sup>3</sup>

For more information visit our website  
[www.hoshizaki-europe.com](http://www.hoshizaki-europe.com)

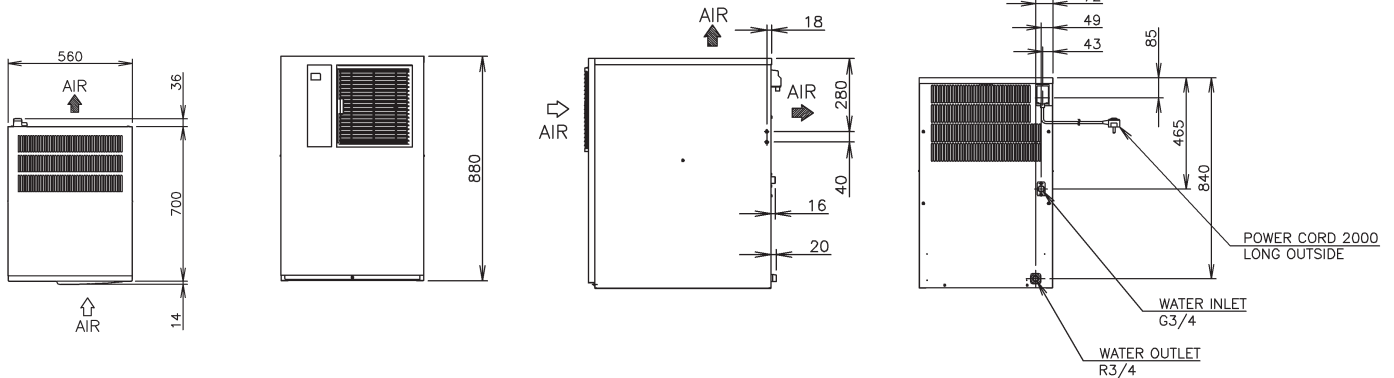
Hoshizaki Europe B.V. retains the right to change products and their specifications without prior notice.



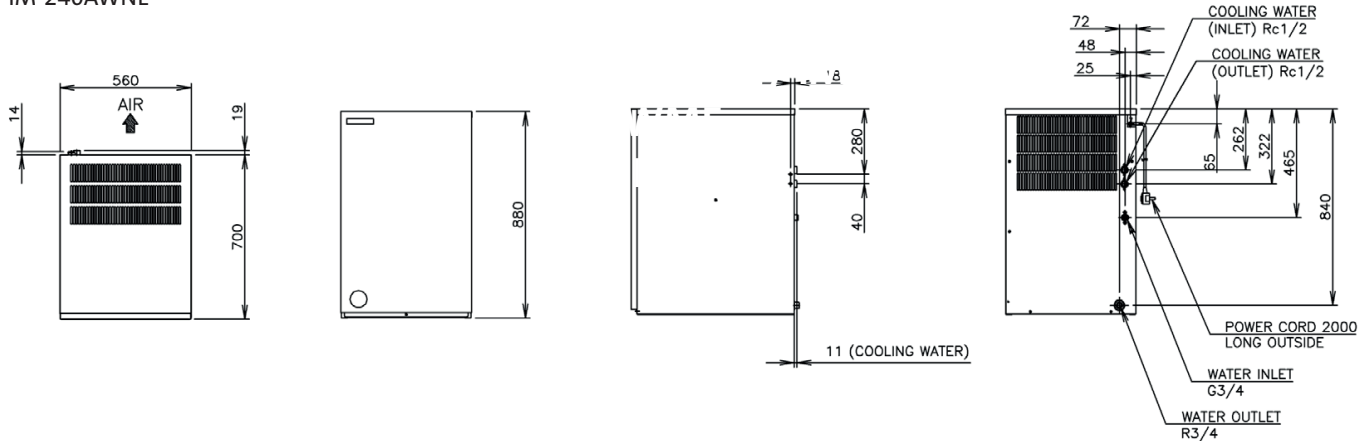


# Ice Maker: IM-240ANE (23) / IM-240AWNE

IM-240ANE / IM-240ANE-23



IM-240AWNE



Full CAD specification drawings available on website

## Specifications

Specification	IM-240ANE (23)	IM-240AWNE
Dimensions W x D x H (mm)	1084 x 700 x 500	1084 x 700 x 500
AC Supply Voltage	1 Phase 220 - 240V 50Hz	1 Phase 220 - 240V 50Hz
Electric Consumption (AT.32°C, WT.21°C)	1330W	1500W
Insulation	Polyurethane Foam	Polyurethane Foam
Heat Rejection	2870W	-
Refrigerant	R404A	R404A
Weight Gross / Net (kg)	91 / 80	110 / 90

## Corresponding Bins

Models
B-301SA
B-501SA, Top Kit TK 8D
B-801SA, Top Kit TK 8D + TK 18D

## Accessories

Mounting Bracket, Installation Kit



# HOSHIZAKI

### Export Office

Burgemeester Stramanweg 101,  
1101 AA Amsterdam  
The Netherlands

T: +31 (0)20 691 8499  
F: +31 (0)20 691 8768  
sales@hoshizaki.nl  
www.hoshizaki-europe.com

T: +44 (0)132 261 6900  
F: +44 (0)132 261 6901  
info@gramuk.co.uk  
www.gramuk.co.uk