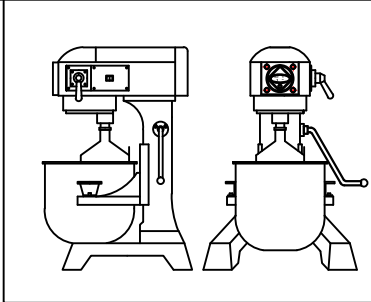
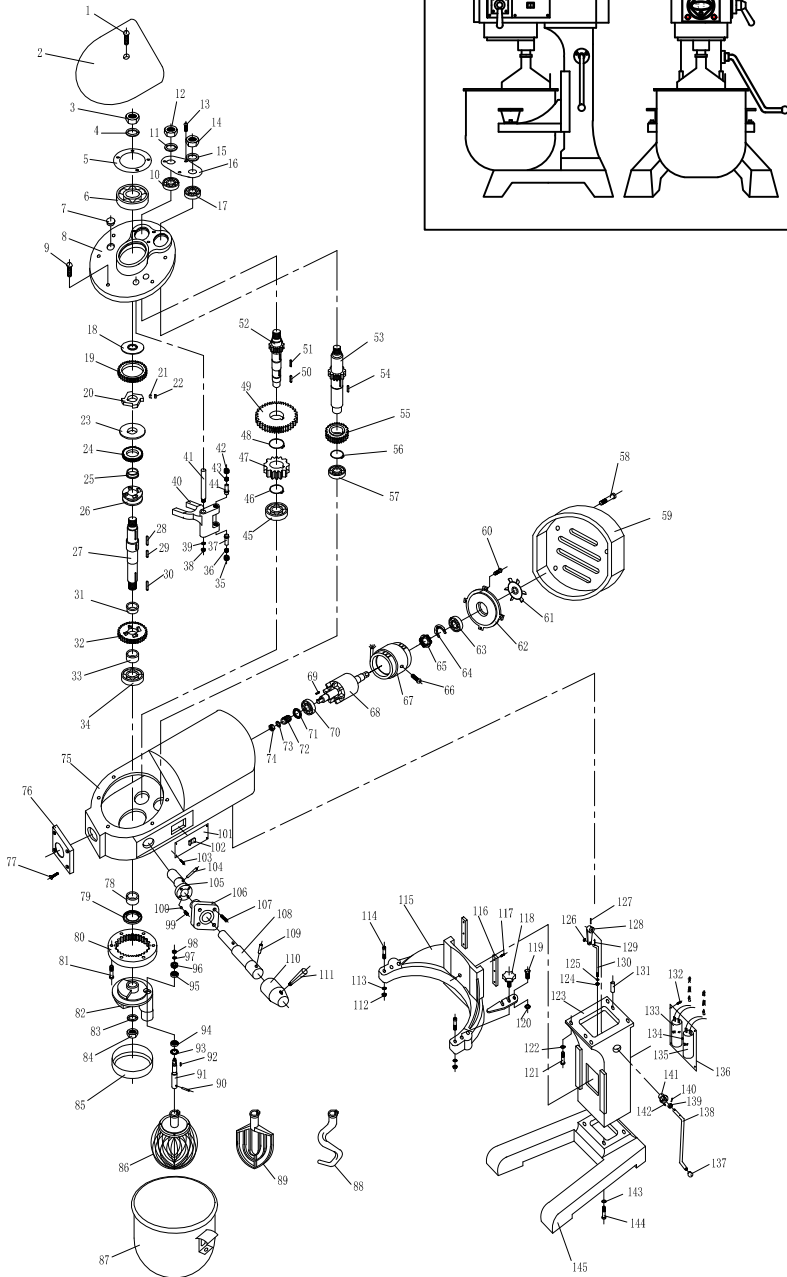


B30E STIRRING MACHINE



	Name	Drawing number	Amount
1	Screw M6X30	GB70	1
2	Cover	B30E-0049	1
3	Nut M12	GB6176	1
4	Washer 12	GB/T97	1
5	Bearing plate pinch2	B30E-0030	1
6	Bearing 6203	GB/T276	1
7	Oil-Idle Cover		1
8	Bearingcap	B30E-0026	1
9	Screw M6X25	GB70	1
10	Bearing 6201	GB/T276	1
11	Washer 10	GB97	1
12	Nut M10	GB96170	1
13	Screw M4X8	GB818	7
14	Nut M10	GB96170	1
15	Washer 10	GB98	1
16	Bearing Plate Pinchl	B30E-0027	1
17	Bearing 6201	GB/T276	1
18	Cam Splint	B30E-0031	1
19	Gear Rim Z=49	B30E-0033	1
20	Cam	B30E-0032	1
21	Leaf Spring	B30E-0029	4
22	Cylindricalroller8X16	B30E-0028	4
23	Cam Circle	B30E-0034	1
24	Gear Z=30	B30E-0035	1
25	Sliding Collar	B30E-0036	1
26	Conjugant	B30E-0040	1
27	Center Shaft	B30E-0037	1
28	Dowel 6X25	GB1096	1
29	Dowel 5X35	GB1096	2
30	Dowel 6X45	GB1096	1
31	Sliding Collar	B30E-0036	1
32	Gear Z=43	B30E-0041	1
33	Spacer Sleeve	B30E-0042	1
34	Bearing 6205	GB/T276	1
35	Regulating Nut	B30E-0072	1
36	Spring	B30E-0002	1
37	Fork contact	B30E-0071	1
38	Nut M10	GB/T41	1
39	Ring Washer 10	GB/T-93	1
40	Shift Fork	B30E-0039	1
41	Fork Shaft	B30E-0038	1
42	Regulating Nut	B30E-0072	1
43	Spring	B30E-0002	1
44	Fork contact	B30E-0071	1
45	Bearing 6201	GB/T276	1
46	Snap Spring 17	GB894	1
47	Gear Z=20	B30E-0021	1
48	Snap Spring 19	GB894	1
49	Gear Z=33	B30E-0014	1
50	Dowel 5X12	GB1096	1
51	Dowel 5X12	GB1096	1

	Name	Drawing number	Amount
52	Second Motion shaft Z=14	B30E-0022	1
53	Inputshaft Z=18	B30E-0025	1
54	Dowel 5X14	GB1096	1
55	Worm Z=29	B30E-0023	1
56	Snap Spring 19	GB894	1
57	Bearing 6201	GB/T276	1
58	Screw M5X50	GB70	4
59	Rear	B30E-0051	1
60	Screw M5X16	GB70	4
61	Motor Fan		1
62	Bake Cover	B30E-0075	1
63	Bearing 6204	GB276	1
64	Bottom Plate		1
65	Centrifugal Switch		1
66	Screw M6X30	GB818	1
67	Stator		1
68	Rotor		1
69	Dowel 3X25	GB1096	1
70	Bearing 6204	GB276	1
71	Oil Seal 17X35X10	HG4-692	1
72	Main Transmission Worm	B30E-0064	1
73	Ring Washer 10	GB/T-93	1
74	Nut M10	GB/T41	1
75	Case	B30E-0020	1
76	Viewport Cover	B30E-0024	1
77	Screw M5X15	GB/T818	4
78	Sleeve	B30E-0043	1
79	Oil Seal 30X45X10	HG4-692	1
80	Ring Gear Z=60	B30E-0046	1
81	Screw M6X25	GB/T70	6
82	Planetary Gear Holder	B30E-0048	1
83	Washer 16	GB/T97	1
84	Nut M16	GB/T6170	1
85	Ring	B30E-0047	1
86	Wire Whip	B30E-0015-031	
87	Charging barrel	B30E-0016	1
88	Dough mixer	B30E-0015-021	
89	Agitator	B30E-0015-011	
90	Straight Pin 8X25	GB/T117	1
91	Planetary Geatshaft	B30E-0045	1
92	Dowel 5X20	GB96170	1
93	Oil Seal 25X50X10	HG4-692	1
94	Bearing 6005	GB/T276	1
95	Bearing 6203	GB/T276	1
96	Planetary Gear Z=18	B30E-0044	1
97	Washer 12	GB/T95	1
98	Nut M12	GB/T41	1
99	Positioning Sping	B30E-0069	2
100	Steel Ball φ6	GB308	2
101	Label		1
102	Switch		1

	Name	Drawing number	Amount
103	Screw M4X6	GB/T818	6
104	Conical Pin 4X20	GB/T117	1
105	Knee-Piece	B30E-0070	1
106	Locating Cover Plate	B30E-0068	1
107	Screw M6X14	GB/T819	4
108	Hinge Pin	B30E-0066	1
109	Conical Pin 4X20	GB/T117	1
110	Locating Sleeve	B30E-0065	1
111	Shiftfork Handle	B30E-0067	1
112	Nut M8	GB96170	2
113	Spring Washer 8	GB/T-93	2
114	Anchor Pin	B30E-0018	2
115	Barrel Holder	B30E-0003	1
116	Flat Clamp	B30E-0050	2
117	Screw M6X16	GB5780	6
118	Locking Pin	B30E-0019	2
119	Screw M6X20	GB5780	2
120	Washer 6	GB/T97	2
121	Screw M8X35	GB/T97	4
122	Ring Washer 8	GB/T-93	4
123	Guide pillar	B30E-0005	1
124	Nut M10	GB96170	1
125	Washer 10	GB97	1
126	Washer 10	GB97	1
127	Pin 4X40	GB119	1
128	Cam	B20F-0068	1
129	Cotter Pin	GB91	1
130	Lifeing Hook	B20F-0066	1
131	Straight Pin 8X16	GB/T119	2
132	Screw M4X8	GB/T818	4
133	Capacitor 150UF		1
134	Screw M6X15		1
135	Capacitor 25UF		1
136	Plate		1
137	Ball		1
138	Lifting Crank	B20F-0069	1
139	Sleeve	B20F-0069-1	1
140	Resilient Pin 4X25	GB879	1
141	Lifting Sleeve	B20F-0067	1
142	Screw M6X15	GB70	3
143	Ring Washer 10	GB/T-93	4
144	Screw M8X45		4
145	Footing	B30E-0001	1