

# avintage

## Built-in range

### 2-compartments service wine cabinet

**36 bottles\***

**AVI62XDZA**

- Built-in column
- Cooling system: compressor (air moving system)
- Adjustable temperature range of use:  
5°-12°C/12°-20°C
- Black metal external body
- Black PVC inner liner
- 1 reversible glass door, anti-UV treated, 3-layers tempered glass (grey-colored), stainless steel frame
- Electronic regulation
- 2 sliding wooden shelves  
1 sliding wooden half shelf

Cabinet that is installed in a **niche for** conventional built-in **oven**, characterized by its standard size: **60 H x 60 W cm**.

Thanks to **door and temperature alarms**, offer the best protection to your bottles of wine.

Thanks to the **demo mode**, reduce the energy consumption of your appliance. Only display and LED lights are active, ideal for expositions or fairs!



# avintage

## Reference: AVI62XDZA

- **Ambient temperature range of use:**  
5°-32°C
- **Equipments included:**  
4 adjustable feet (height 1 cm)  
White LED lights with ON/OFF switch button  
Anti-vibration system  
Winter system  
Water tray to maintain proper hygrometry  
Demo mode  
Thermometer with electronic display (white)
- **Technical characteristics:**  
Voltage: 220-240 V  
Power input: 90.0 W  
Annual electrical consumption: 140.0 kWh  
Energy class: A  
Climatic class: N  
Noise level: 40.0 dB
- **Logistic datas:**

Dimension UVC (W x D x H cm):

Packed: 65.6 x 62 x 63.5  
Unpacked: 59 x 56 x 59.50

Weight UVC (Kg):

Gross: 36,00  
Net: 33,00

Pallet dimensions (cm): /

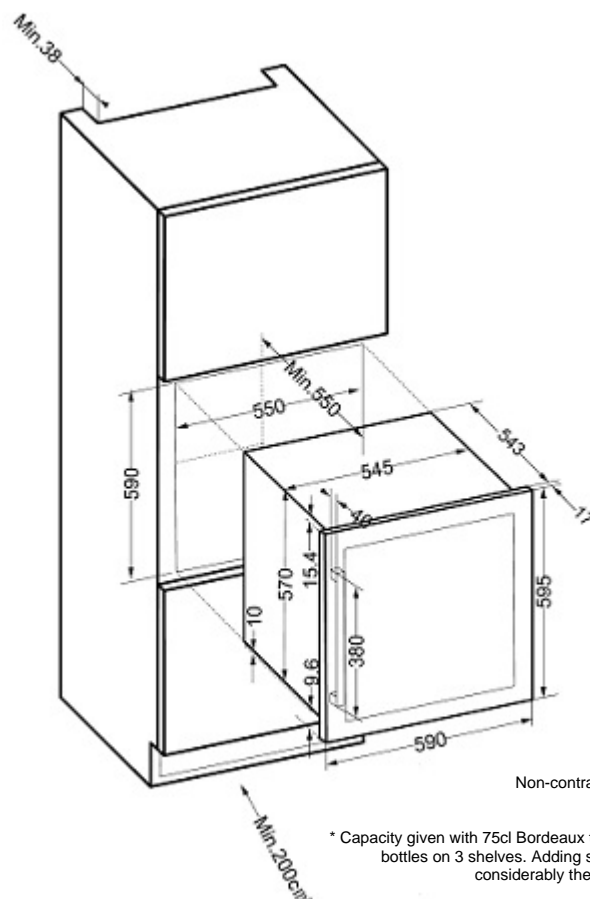
Full truck (UVC): 120

Container (UVC):

20': 81  
40': 162  
40' HC: 216

Gencod UVC:

3595320105308



Non-contractual pictures

\* Capacity given with 75cl Bordeaux traditional type bottles on 3 shelves. Adding shelves reduce considerably the total capacity.