

1 2 3 4 5 6 7 8

A

A

B

B

C

C

D

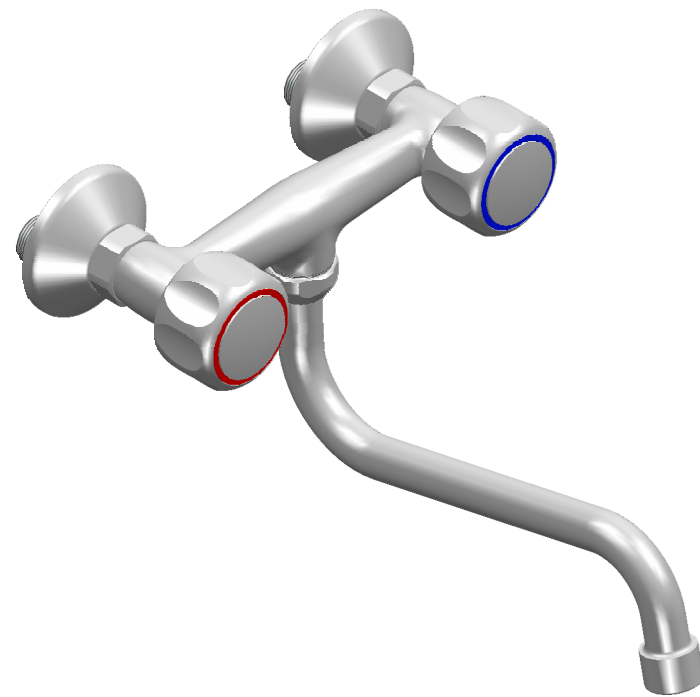
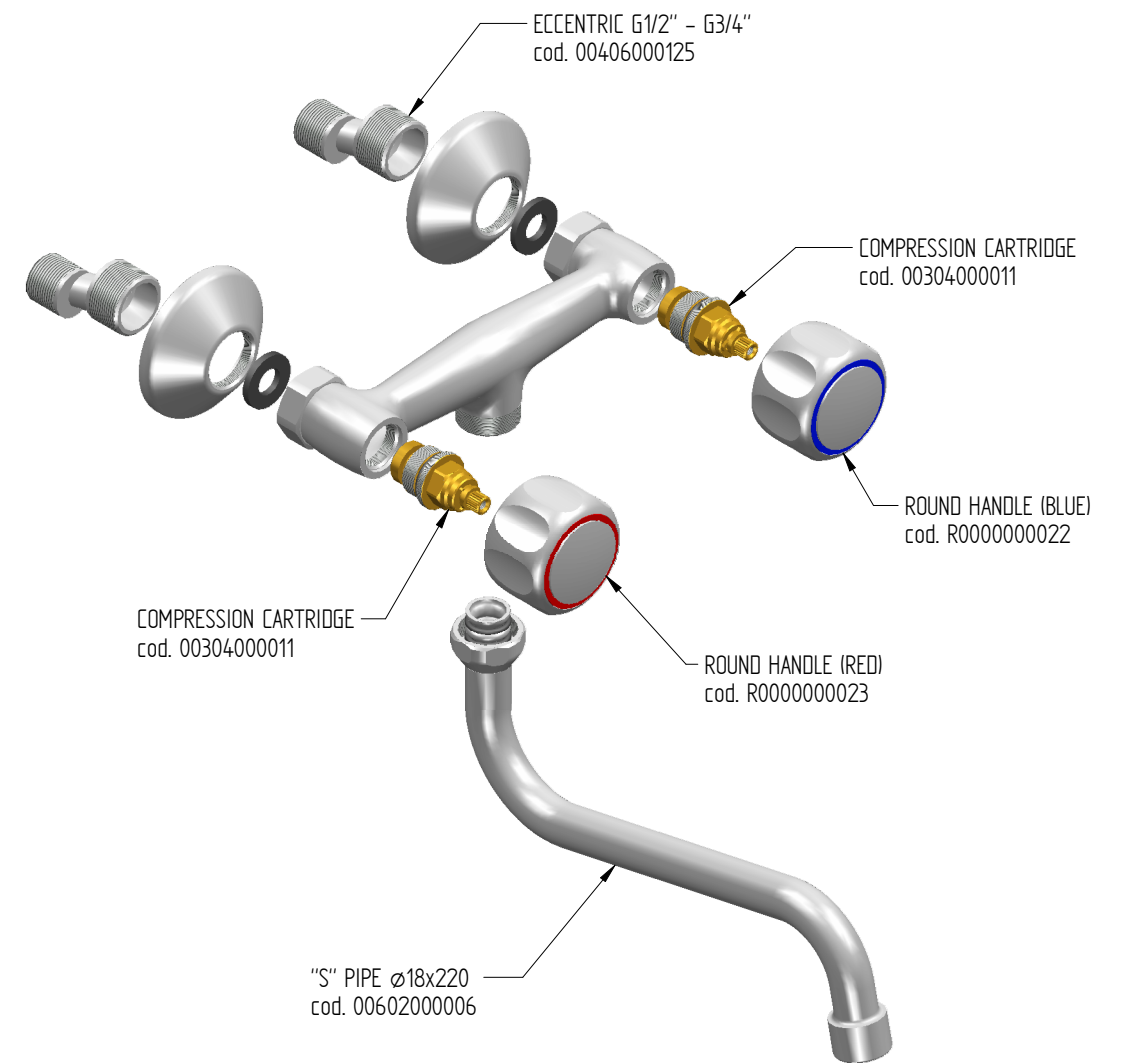
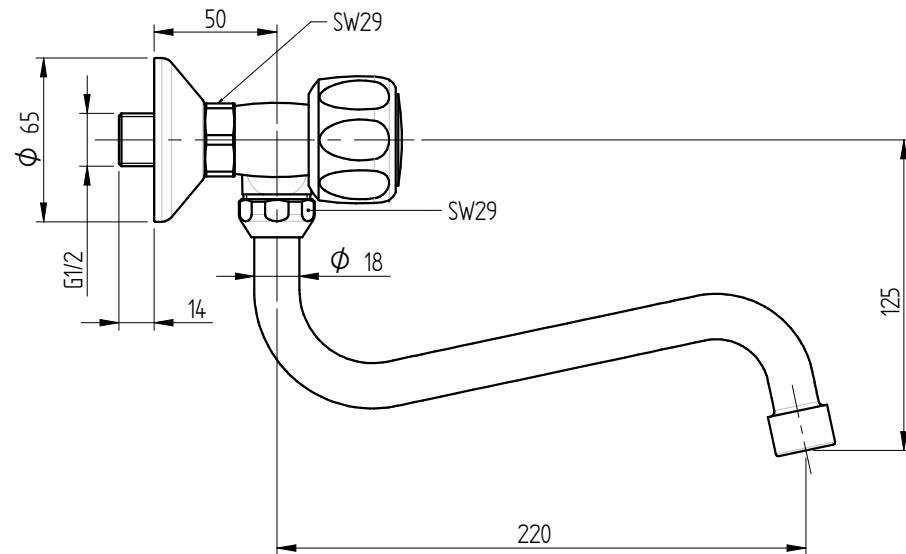
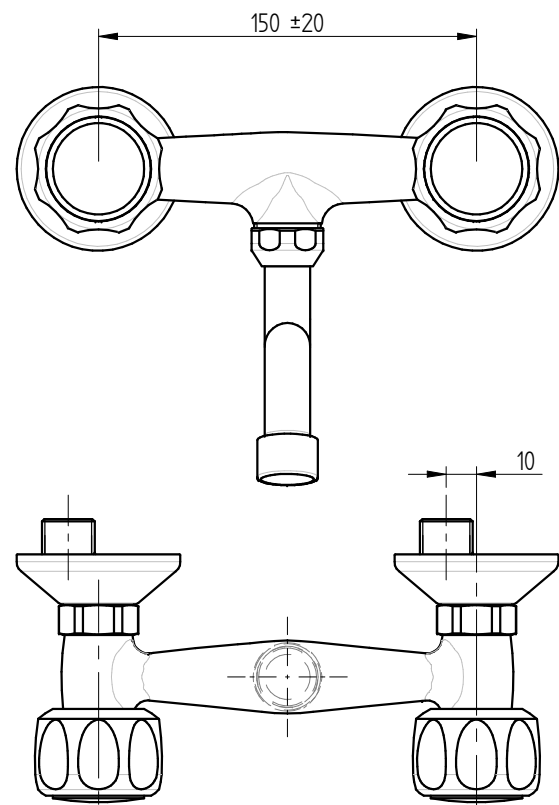
D

E


E

F

F



FLOW RATE : 16 L/min at 3,5 BAR

Shares without tolerance according to standard UNI-EN-22768-1-m		DESCRIPTION TWO HOLES WALL TAP WITH ROUND HANDLES, "S" PIPE $\varnothing$ 18x220. 150±20mm WHEELBASE	CODE R0102010219
SIZE A3	European Projection		WEIGHT 1,05 Kg
DATE 01-10-2018	SCALE 1:3	 <p>DESIGN AND TECHNOLOGICAL RESEARCH FOR WATER</p> <p>VIA DELL'ARTIGIANO 8/F-8-G , 31050 MONASTIER di TREVISO (TV) tel: 0422 842157 - fax: 0422 708978</p>	F
DRAWN PICCOLO M.			
VALIDATE PICCOLO M.			
DONE WITH DESIGN CAD - PROHIBITED THE CHANGES MANUAL			

1 2 3 4 5 6 7 8