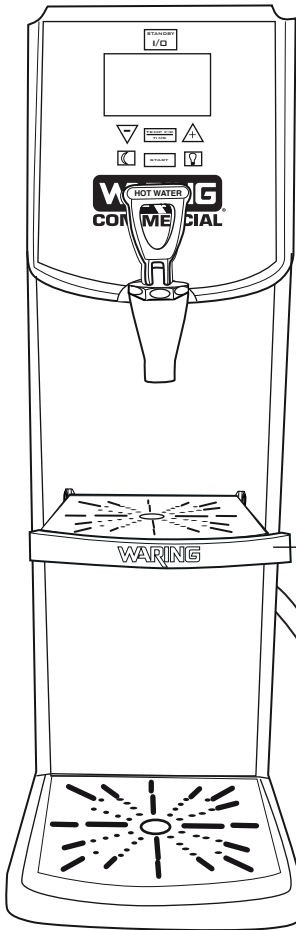


Unit Information

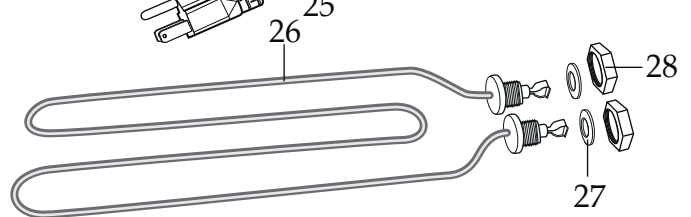
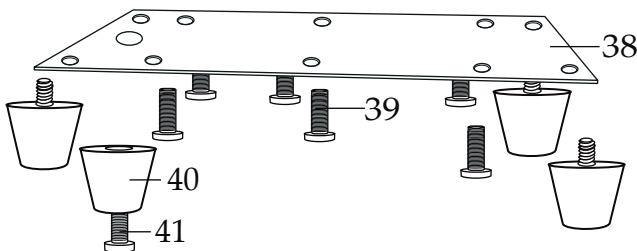
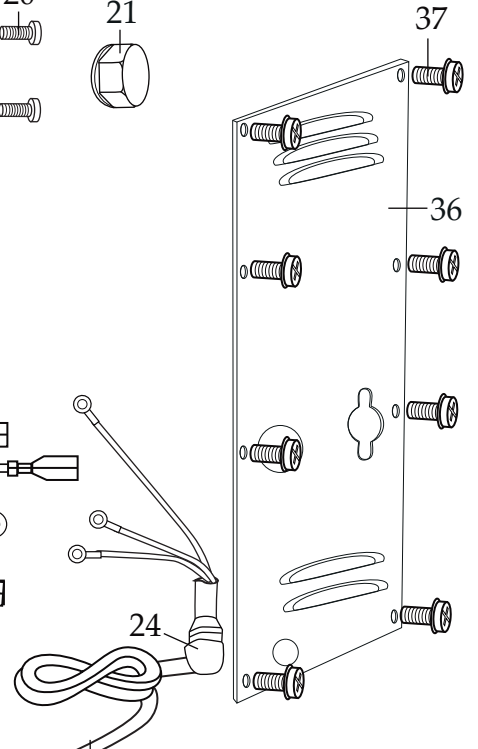
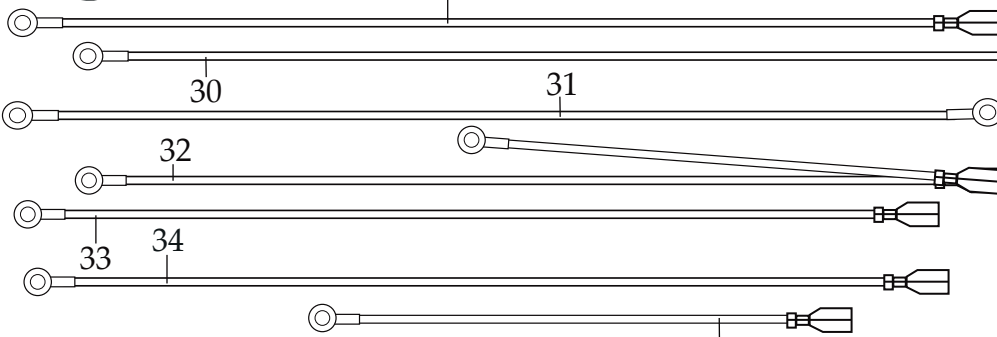
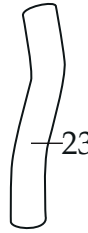
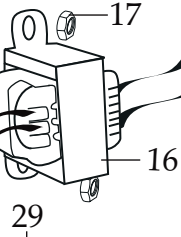
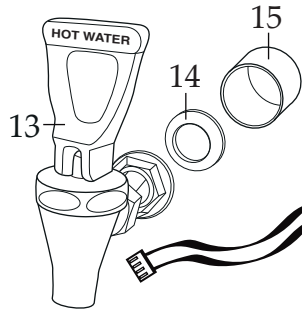
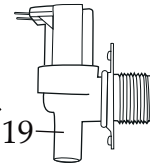
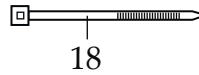
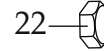
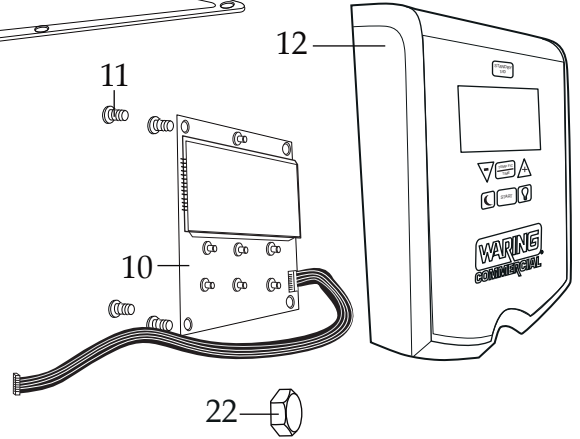
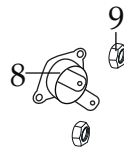
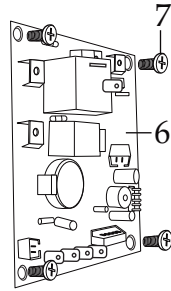
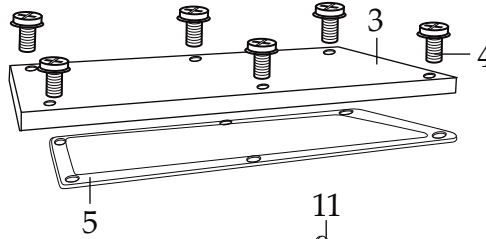
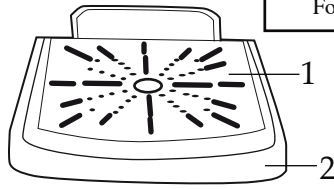
60Hz - 1440 Watts - 120 Volts
Temperature range from 150°F - 205°F
(66°C - 96°C)
Fold down shelf for small cups

WARING COMMERCIAL

5 Gallon Hot Water Dispenser WWB5G

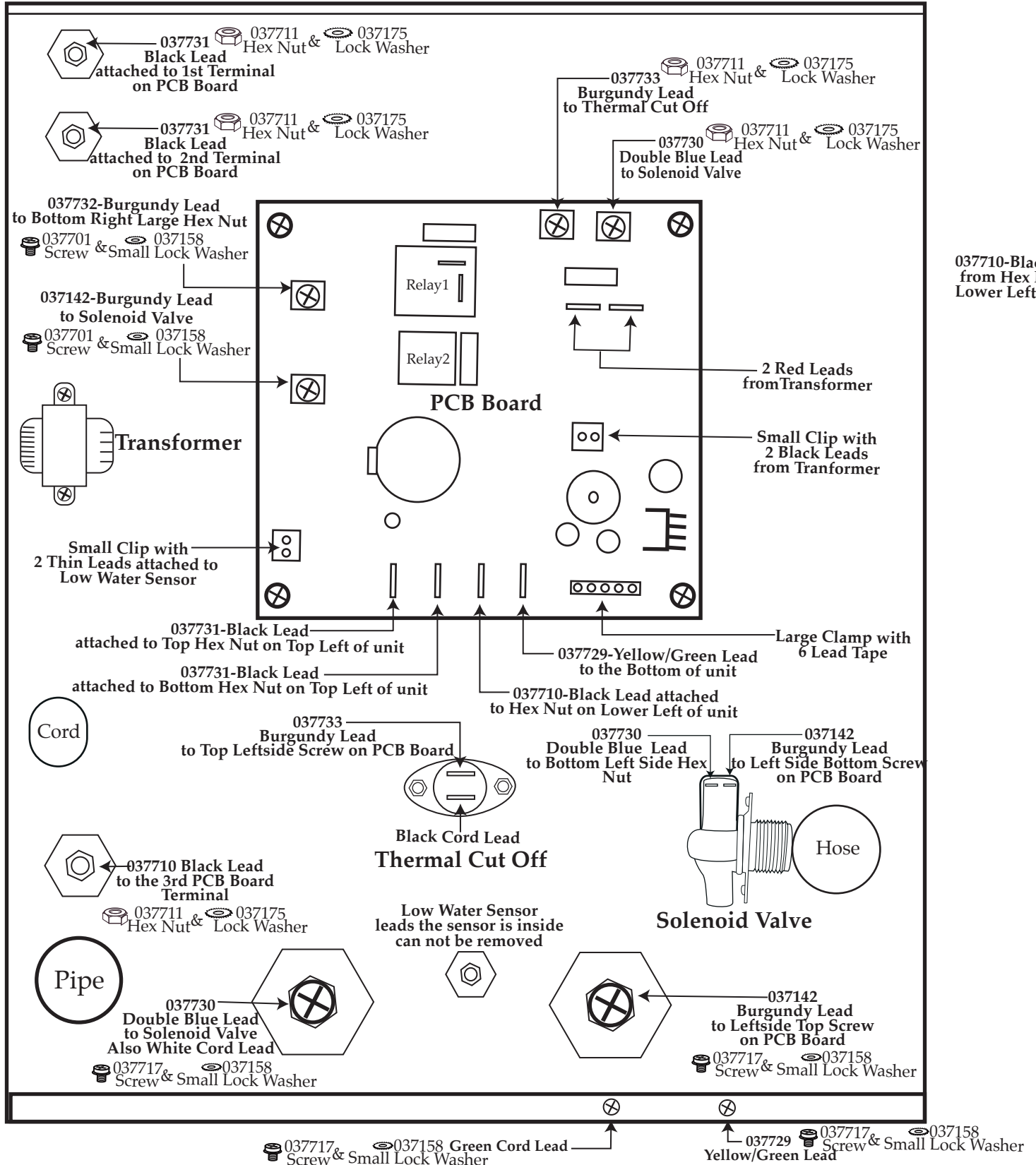


037735
WWB5G Unit

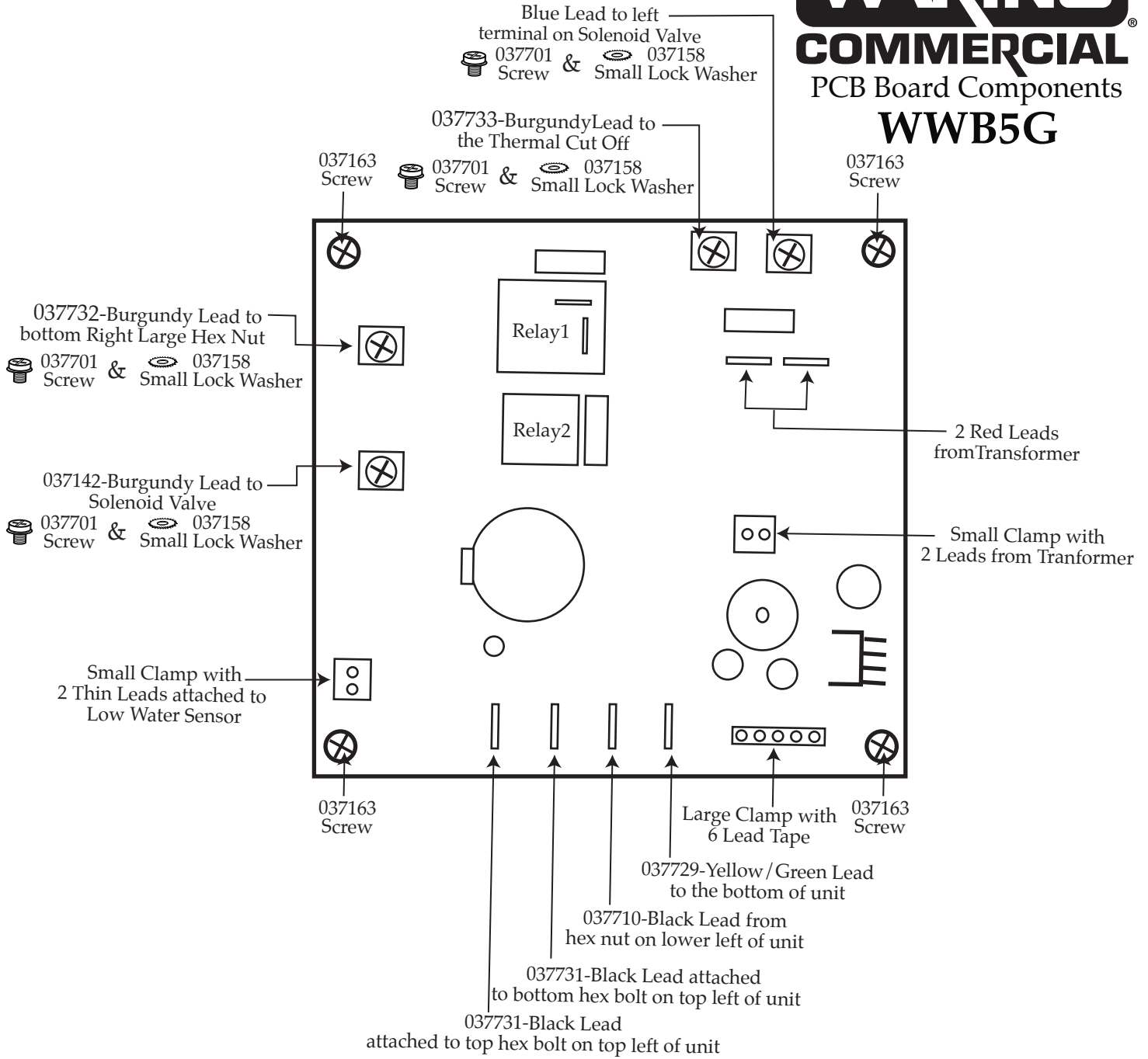


| Illustration # | Part # | Description |
|-----------------------|---------------|---|
| 1 | 037696 | Overflow Tray (metal) |
| 2 | 037697 | Overflow Tray (plastic) |
| 3 | 037698 | Tank Top Cover |
| 4 | 037717 | Screw (6 required) |
| 5 | 037699 | Tank Top Cover Gasket |
| 6 | 037704 | PCB Board |
| 7 | 037163 | Screw (4 required) |
| 8 | 037153 | Thermal Cut Off |
| 9 | 037154 | Hex Nut (2 required) |
| 10 | 037700 | Control Board |
| 11 | 037701 | Screw (4 required) |
| 12 | 037702 | Control Panel |
| 13 | 037149 | Tap (spigot) |
| 14 | 037728 | Tap Seal |
| 15 | 037703 | Tap Ring |
| 16 | 037708 | Transformer |
| 17 | 037709 | Hex Nut (2 required) |
| 18 | 013731 | Wire Ties (5 required) |
| 19 | 037165 | Solenoid Valve |
| 20 | 037717 | Screw (2 required) |
| 21 | 037705 | Yellow Valve Cover |
| 22 | 037707 | Pipe Cover |
| 23 | 037771 | Valve Tube |
| 24 | 037172 | Strain Relief |
| 25 | 037173 | Cord Set (NEMA 5-15P) |
| 26 | 037715 | Heating Element |
| 27 | 037169 | Element Seal (2 required) |
| 28 | 037170 | Element Hex Nut (2 required) |
| 29 | 037731 | 16.5" Black Lead (2 required 1 ring and 1 regular terminal) |
| 30 | 037733 | 16.5" Burgundy Lead (1 ring and 1 regular terminal) |
| 31 | 037732 | 16 .5" Burgundy Lead (2 ring terminals) |
| 32 | 037730 | Double Blue Lead (2 ring and 1 regular terminal) |
| 33 | 037729 | 16.75" Yellow / Green Lead (1 ring and 1 regular terminal) |
| 34 | 037710 | 12.5" Black Lead (1 ring and 1 regular terminal) |

Top Plate



PCB Board



| Illustration# | Part# | Description |
|---------------|--------|---|
| 35 | 037142 | 8.75" Burgundy Lead (1 ring and 1 regular terminal) |
| 36 | 037734 | Back Plate |
| 37 | 037717 | Screw (8 required) |
| 38 | 037718 | Bottom Plate |
| 39 | 037719 | Screw (6 required) |
| 40 | 037720 | Rubber Feet (4 required) |
| 41 | 037721 | Feet Screw (4 required) |
| 42 | 037772 | Small Overflow Tray (plastic) |