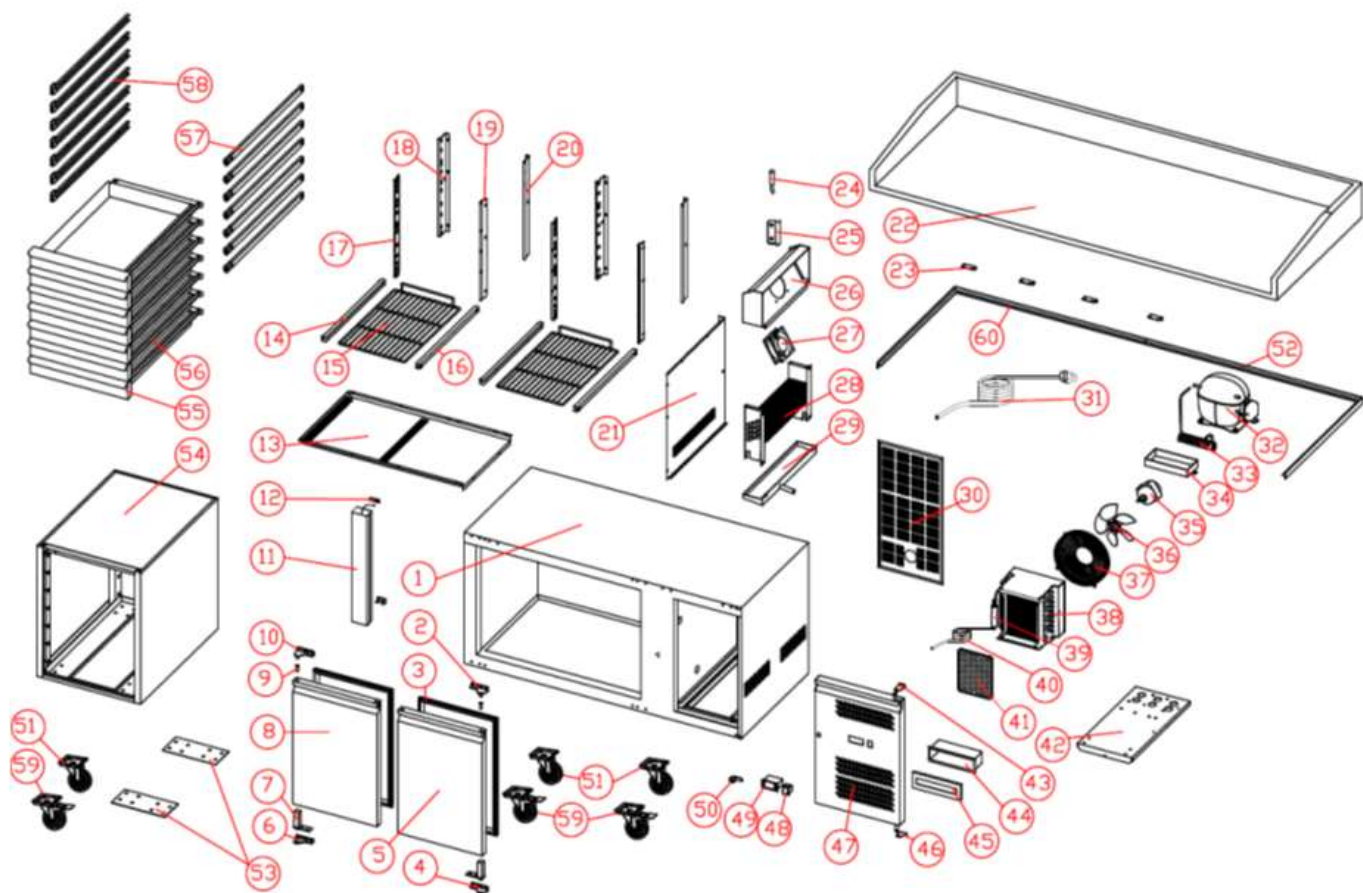


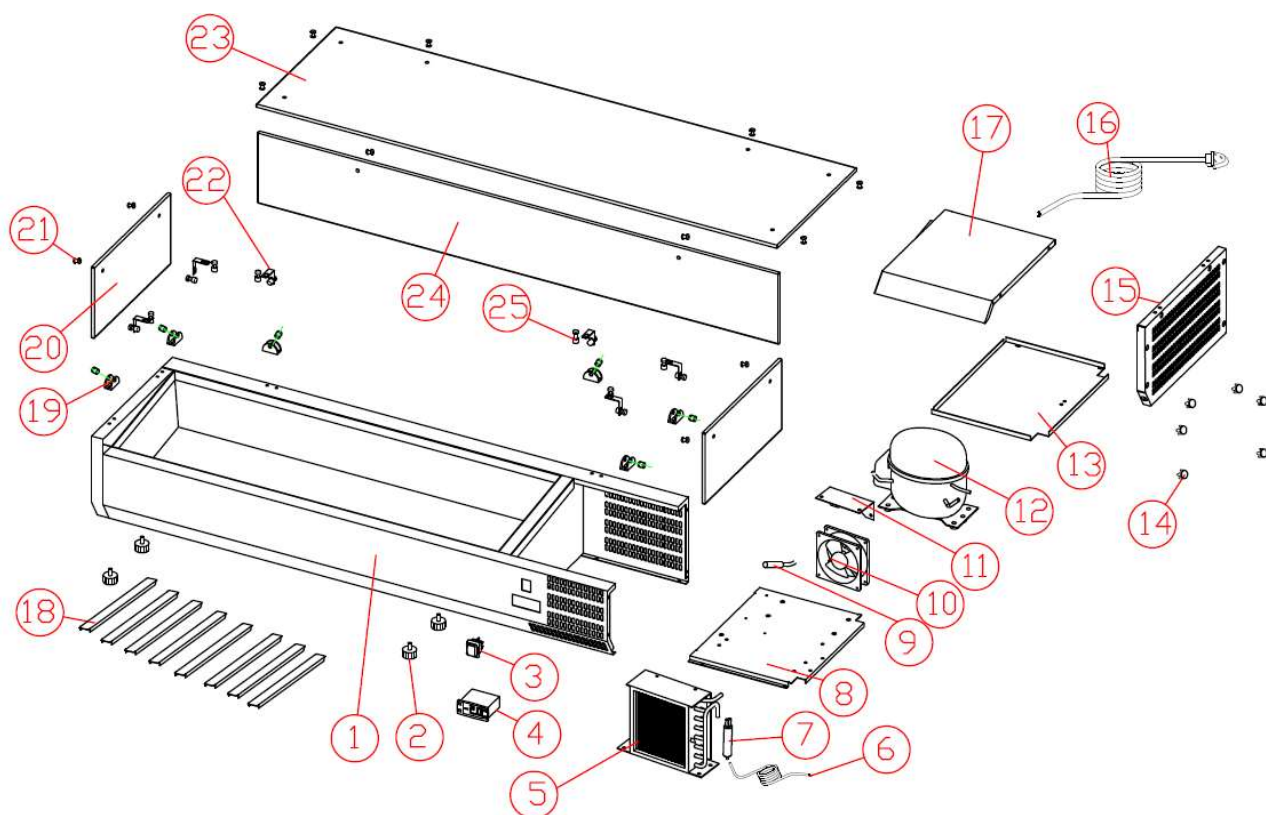
СТОЛ ДЛЯ ПИЦЦЫ HURAKAN HKN-PZG3-116-VRX380 КАМЕНЬ



**СТОЛ ДЛЯ ПИЦЦЫ HURAKAN HKN-PZG3-116-VRX380 КАМЕНЬ**

| Поз | Наименование детали | Кол |
|-----|-------------------------------|-----|
| 1 | cabinet | 1 |
| 2 | right upper hinge | 1 |
| 3 | door gasket | 2 |
| 4 | right bottom hinge | 1 |
| 5 | door(right) | 1 |
| 6 | left bottom hinge | 1 |
| 7 | spring hinge | 2 |
| 8 | door(left) | 1 |
| 9 | door axis sleeve | 4 |
| 10 | left upper hinge | 1 |
| 11 | middle beam | 1 |
| 12 | middle beam connect | 2 |
| 13 | air guide board | 1 |
| 14 | left shelf guide | 2 |
| 15 | shelf | 2 |
| 16 | right shelf guide | 2 |
| 17 | beam hang strip(left) | 2 |
| 18 | rear hang strip(left) | 2 |
| 19 | beam hang strip(right) | 2 |
| 20 | rear hang strip(right) | 2 |
| 21 | fan cover | 1 |
| 22 | stone | 1 |
| 23 | top fixing plate | 4 |
| 24 | probe | 1 |
| 25 | probe cover | 1 |
| 26 | eva. Fan cover | 1 |
| 27 | eva. Fan | 1 |
| 28 | evaporator | 1 |
| 29 | evaporator drain pan | 1 |
| 30 | back cover | 1 |
| 31 | power cord | 1 |
| 32 | compressor | 1 |
| 33 | high pressure pipe | 1 |
| 34 | outer drain pan | 1 |
| 35 | cond. Fan motor | 1 |
| 36 | cond. Fan blade | 1 |
| 37 | cond.fan cover | 1 |
| 38 | condenser | 1 |
| 39 | dryer filter | 1 |
| 40 | capillary | 1 |
| 41 | dryer filter | 1 |
| 42 | cooling unit board | 1 |
| 43 | control panel upper hinge | 1 |
| 44 | plastic water-proof box | 1 |
| 45 | plastic water-proof box cover | 1 |
| 46 | control paner bottom hinge | 1 |
| 47 | panel | 1 |
| 48 | power switch | 1 |
| 49 | controller | 1 |
| 50 | door lock | 1 |
| 51 | wheel | 3 |
| 52 | metal frame(right) | 1 |
| 53 | feet connect | 2 |
| 54 | box | 1 |
| 55 | drawer door | 7 |
| 56 | drawer | 7 |
| 57 | box guide (right) | 7 |
| 58 | box guide (left) | 7 |
| 59 | wheel(with lock) | 3 |
| 60 | metal frame(left) | 1 |

СТОЛ ДЛЯ ПИЦЦЫ HURAKAN HKN-PZG3-116-VRX380 КАМЕНЬ



**СТОЛ ДЛЯ ПИЦЦЫ HURAKAN HKN-PZG3-116-VRX380 КАМЕНЬ**

| Поз | Наименование детали | Кол |
|-----|-----------------------------------|-----|
| 1 | cabinet | 1 |
| 2 | feet | 4 |
| 3 | power switch | 1 |
| 4 | controller | 1 |
| 5 | condenser | 1 |
| 6 | capillary | 1 |
| 7 | dryer filter | 1 |
| 8 | cooling unit board | 1 |
| 9 | probe | 1 |
| 10 | cond. Fan | 1 |
| 11 | cond. Fan connect metal sheet | 1 |
| 12 | compressor | 1 |
| 13 | support board for compressor unit | 1 |
| 14 | large plastic button | 6 |
| 15 | right side cover | 1 |
| 16 | power cord | 1 |
| 17 | top cover | 1 |
| 18 | cachepot | 8 |
| 19 | glass fixed (with screw) | 6 |
| 20 | side glass | 2 |
| 21 | rubber sleeve | 12 |
| 22 | glass connect | 6 |
| 23 | top glass | 1 |
| 24 | rear glass | 1 |
| 25 | glass connect screw and nut | 12 |