



# FOOD-PROCESSOR - EMULSIFIER KE-5V

Bowl capacity: 5.5 lt. Variable speed.



- ✓ Appliance certified by NSF International (regulations on hygiene, cleaning and materials suitable for contact with foods).
- ✓ 100% tested.

## INCLUDES

- ✓ Set of serrated blades.
- ✓ “Cut&mix” scraper.

## OPTIONAL

- Smooth blades.
- Perforated blades.

## ACCESSORIES

- Blades for CK / K / KE
- “Cut&mix” scrapers CK / K / KE

## SPECIFICATIONS

Bowl capacity: 5.5 l  
 Bowl dimensions: Ø240 mm x 150 mm  
 Total loading: 1500 W  
 Speed, min-max: 300 rpm - 3000 rpm

### External dimensions (WxDxH)

- ✓ Width: 286 mm
  - ✓ Depth: 387 mm
  - ✓ Height: 487 mm
- Net weight: 18 Kg

### Crated dimensions

440 x 355 x 570 mm  
 Volume Packed: 0.09 m<sup>3</sup>  
 Gross weight: 23.5 Kg

## AVAILABLE MODELS

1050834	Cutter-Emulsifier KE-5V 230/50-60/1
1050836	Cutter-Emulsifier KE-5V 120/50-60/1
1050842	Cutter-Emulsifier KE-5V 230/50-60/1 K

\* Ask for special versions availability

## SALES DESCRIPTION

To cut, grind, mix and knead any food in seconds.  
 Brushless technology: maximum efficiency.

### Equipped with “brushless” technology: powerful and efficient motors.

- ✓ Maximum efficiency: maintain the torque throughout the speed range.
- ✓ Exclusive “force control system”: guarantee of a uniform and high quality result.
- ✓ Lightweight and compact design: they weigh less, they occupy less space.
- ✓ Improved air/water-tightness since no ventilation is required.
- ✓ They generate less noise: improved workplace environment.

### Efficiency and performance

- ✓ Possibility of programming by time and pulse button.
- ✓ Reverse function, ideal for mixing products instead of cutting.
- ✓ 5.5 litre stainless steel hopper.
- ✓ Polycarbonate lid with built-in “cut&mix” mixer.
- ✓ Depending on the purpose, the possibility of using optional smooth or perforated blades.
- ✓ Built-in programs and option to customize programs for recipe standardization.

### Built to last

- ✓ Robust construction of stainless steel and food-grade materials of the highest quality: stainless steel motor block with aluminium lid. Stainless steel hopper with highly-resistant polycarbonate lid.

### Maximum comfort for the user

- ✓ Advanced control panel that is very intuitive to use and offers all the information at a glance.

### Maintenance, safety, hygiene

- ✓ Safety microswitches on the hopper and lid position.

DYNAMIC PREPARATION  
CUTTER-MIXERS & EMULSIFIERS

product sheet  
updated 16/02/2023



SAMMIC, S.L.  
 Basarte, 1 - 20720 Azkoitia  
 www.sammic.com

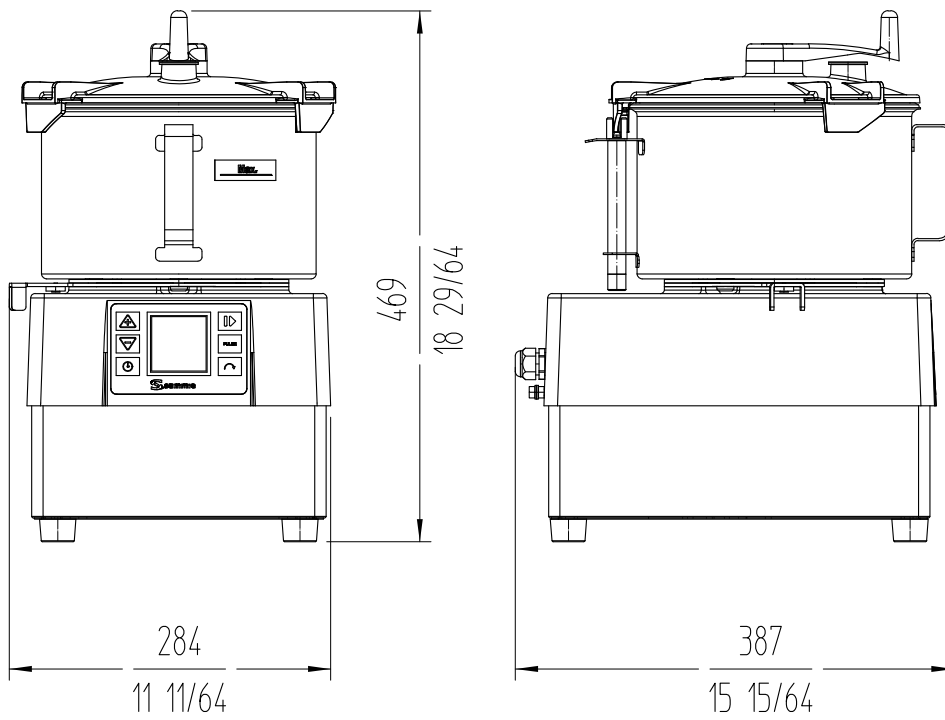


# FOOD-PROCESSOR - EMULSIFIER KE-5V

Bowl capacity: 5.5 lt. Variable speed.



DYNAMIC PREPARATION  
CUTTER-MIXERS & EMULSIFIERS



**sammic** | [www.sammic.com](http://www.sammic.com)  
**Food Service Equipment Manufacturer**  
 Polígono Basarte, 1. phone +34 943 15 72 36  
 20720 Azkoitia, Spain [sales@sammic.com](mailto:sales@sammic.com)



Project	Date
Item	Qty
Approved	

product sheet  
updated 16/02/2023