



GB 1540

LIST OF THE EXPLODED VIEWS



SHELL ASSY

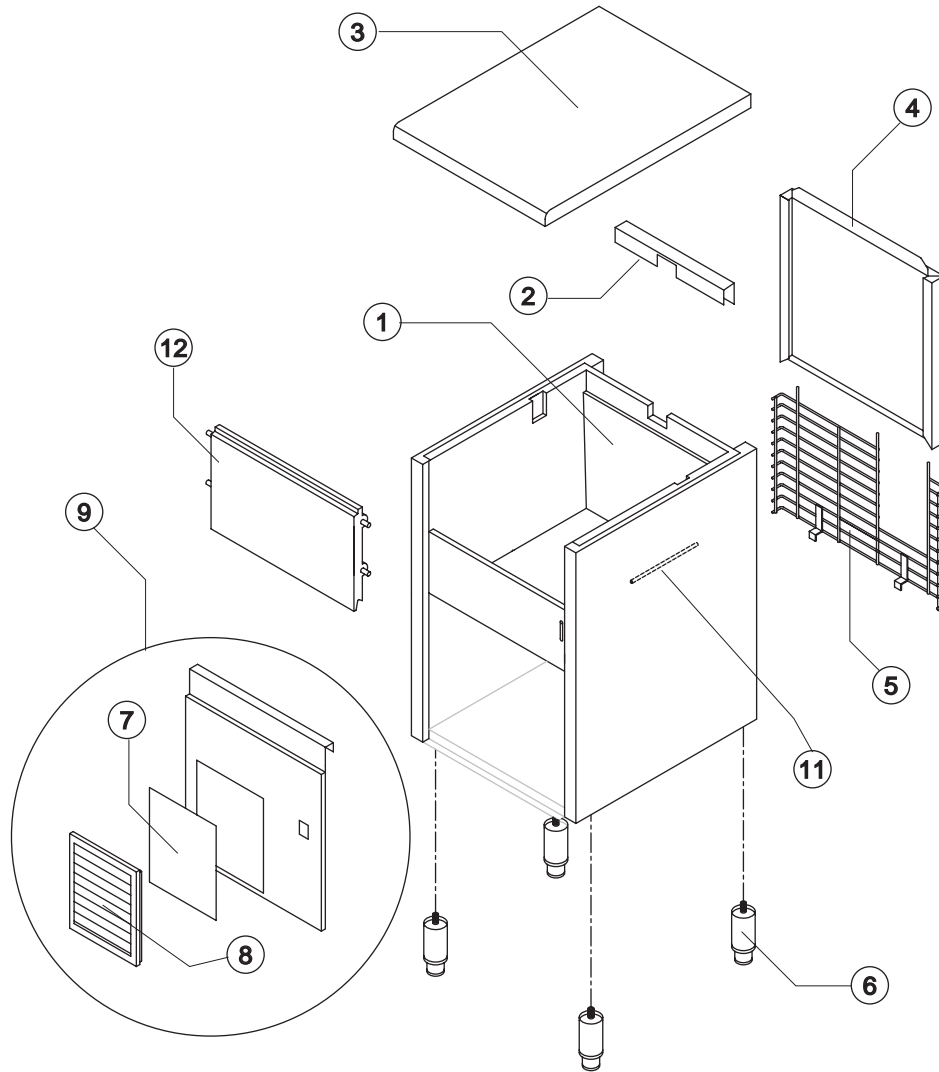
COOLING SYSTEM

EVAPORATOR

HYDRAULIC CIRCUIT

ELECTRIC PARTS

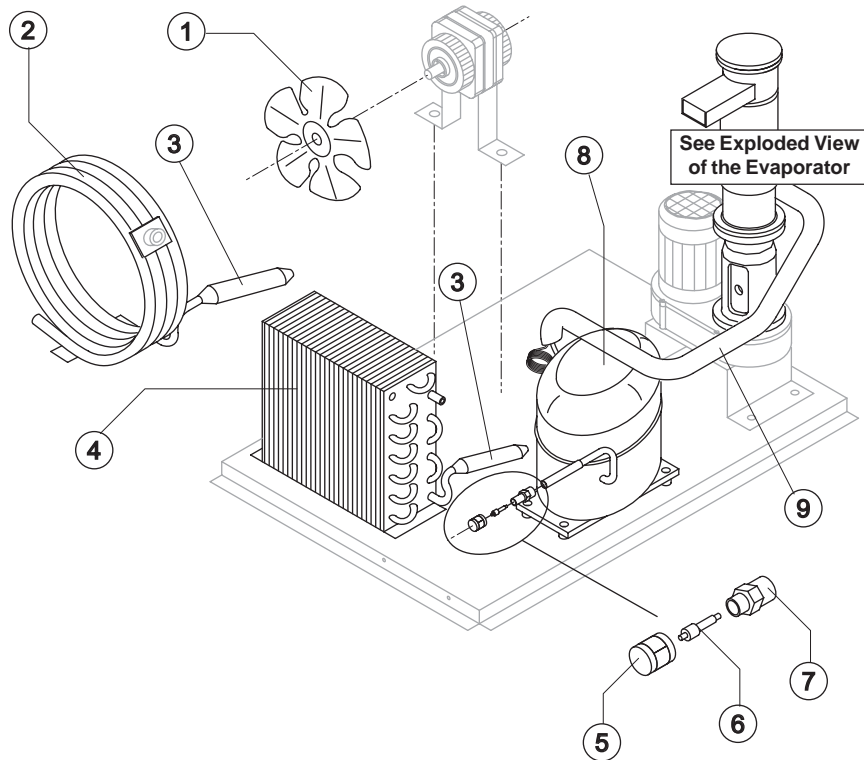
Rev. 18 - 26/02/2018



Ref.	Spare Description	Code
1	Foamed Cabinet Assy	See Table
2	Cover for Ice Exhaust	22592
3	Top Assembly	C22690
4	Rear Panel Assembly	C21201
5	Rear Grid	D12020
6	Adjustable Stainless Steel Foot	20613
7*	Filtering Panel	18106
8	Frame + Grid & Filter	C10205
9	Front Grid Panel	C22509
11	Bulbe-holder Pipe	20522
12	Door Assy	C10275

Ref. 1 - Foamed Cabinet Assy

Condensation	Code
Air	C11097A
Water	C11097W



Common Parts

Ref.	Spare Description	Code
3*	Molecular Drier	14009
5*	Vacuum-Charge Valve Plug	14006
6*	Vacuum-Charge Valve Body	14005
7	Vacuum-Charge Valve Device	14007
8	Compressor	See Table
9	Suctin Line	for the spare parts code give us the s/n.

Parts for Air-Cooled Version Only

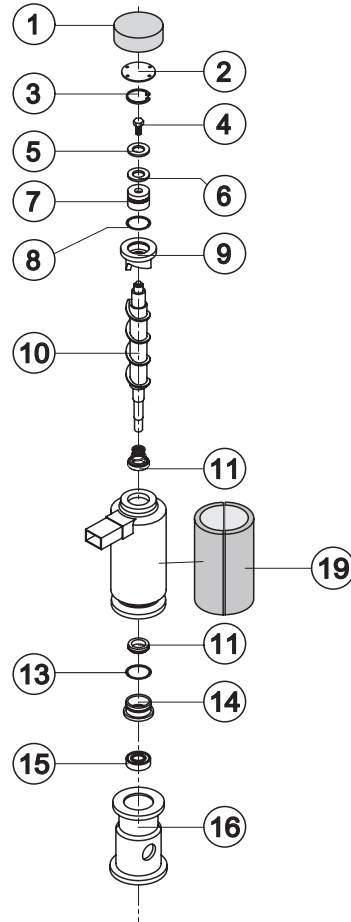
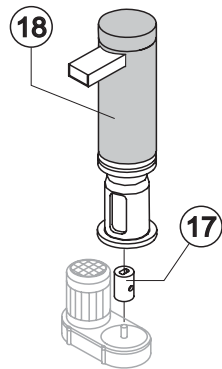
Ref.	Spare Description	Code
1	Sucking Fan	20031
4	Air Condenser	Current Version 20558
4	Air Condenser	Till s/n. 347947 20175

Parts for Water-Cooled Version Only

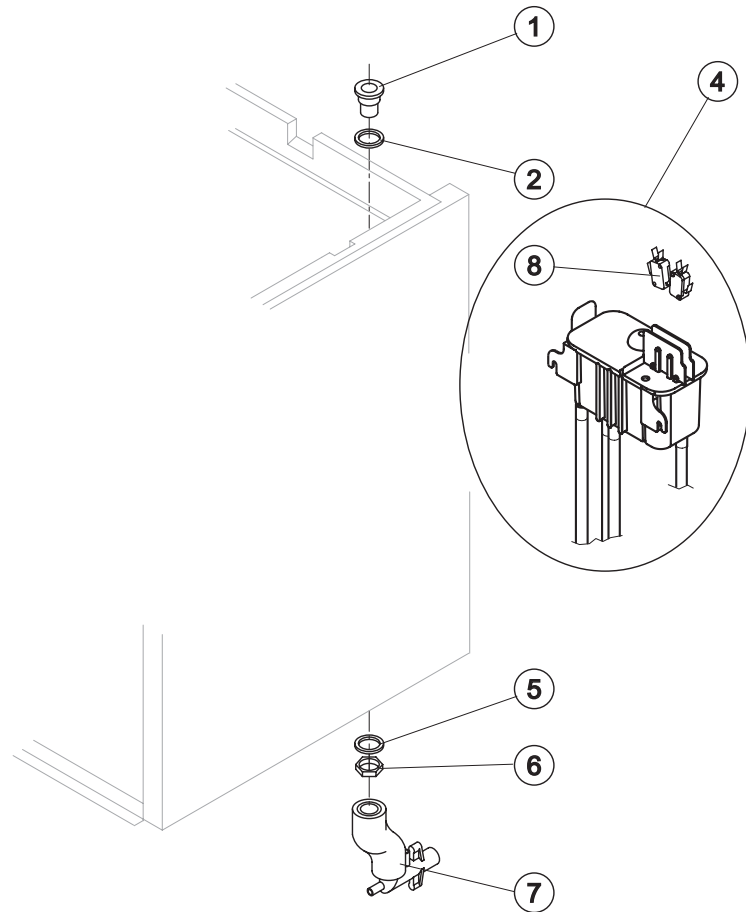
Ref.	Spare Description	Code
1	Sucking Fan	10213
2	Water Condenser	14014

Ref. 8 - Compressor

Voltage	Code
T11	23832
T12	231308
T13	23679



Ref.	Spare Description (from s/n. 223593)	Code
1	Insulating Cap	18170
2	Closing Disk	22825
3	Seeger	20043
4	Stainless Steel Screw	20663
5	Shimming Disk	22826
6	Self-Lubricating Disk	20631
7	Stainless Steel Thrust Bearing	20686
8	OR Gasket 3087	20688
9	Ice Breaker	201236
10	Auger	20783
11	Ceramic Seal	20937
13	OR Gasket 3162 NBR70	20429
14	Reduction Ring	20785
15	Stainless Steel Bearing	20782
16	Flange	20629
17	Joint	D20784
18	Evaporator Assy	C11140
19	Insulating Cap	Current Version 18267
19	Insulating Cap	Till s/n. 829709 18171



Common Parts

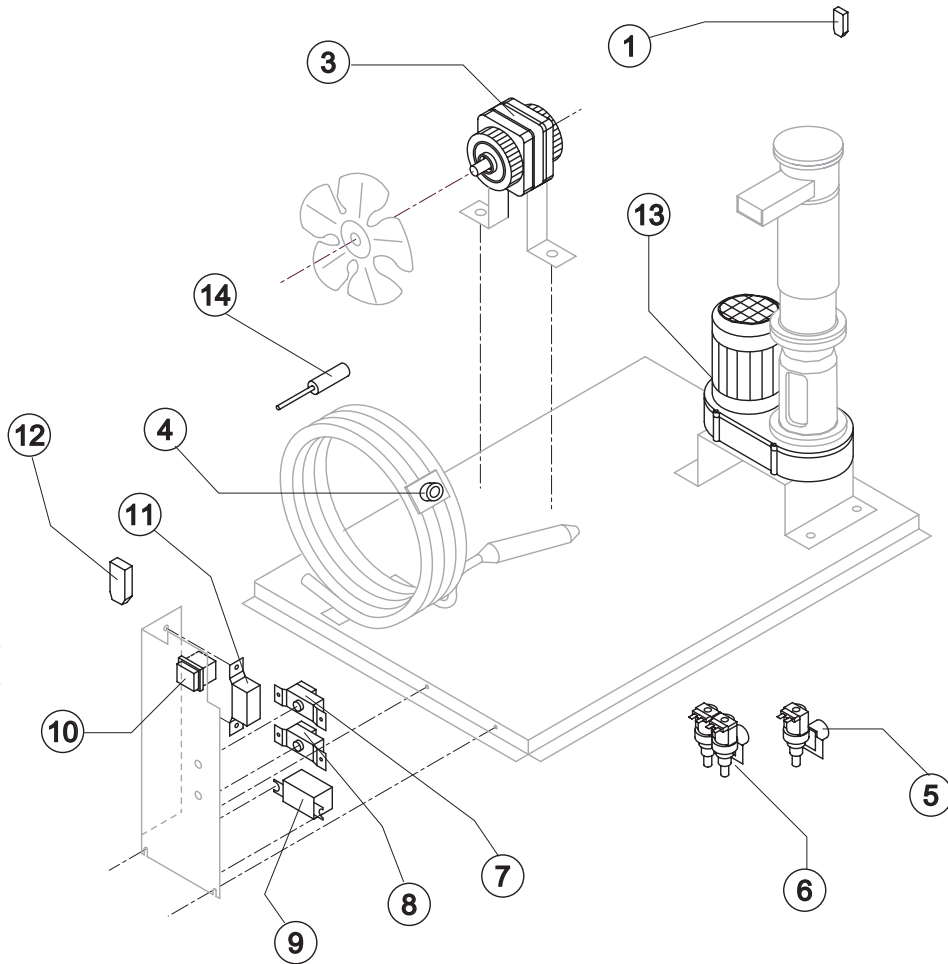
Ref.	Spare Description	Code
1	Water Outlet Nipple	10472
2	Silicone Gasket	13006
4*	Double Switch Basin Assembly	C10706
5	Semirigid Polyethylene Gasket	13007
6	Bin Discharge Nut	10096
8	Microswitch	23055

Parts for Air-Cooled Version Only

Ref.	Spare Description	Code
7	Discharges Manifold	C10235

Parts for Water-Cooled Version Only

Ref.	Spare Description	Code
7	Discharges Manifold	C10240



Common Parts

Ref.	Spare Description	Code
1	Anti Radio Interference Filter	Only T11 and T12 C23457
3*	Fan Motor	See Table
7*	Bin Thermostat	R23005
8*	Evaporator Thermostat	Till. s/n. 613004 R23034
9*	Relay	See Table
10*	Green Light Switch (On-Off)	23327
11*	Condenser Pressure Switch	See Table
12	Anti Radio Interference Filter	Only T11 and T12 C23459
13	Gearmotor	See Table
14	Low pressure safety switch	From s/n. 613005 23909

Parts for Air-Cooled Version Only

Ref.	Spare Description	Code
5*	1 Way- Water Inlet Valve	See Table

Parts for Water-Cooled Version Only

Ref.	Spare Description	Code
4*	Safety Thermostat	C23114
6*	2 Ways- Water Inlet Valve	See Table

Ref. 3* - Fan Motor

Voltage	Air	Water
T11	23067	23029
T12	23681	23029
T13	23621	23683

Ref.5* - 1 Way-Water Inlet Valve

Voltage	Code
T11	23115
T12	23115
T13	23410

Ref. 6* - 2 Ways-Water Inlet Valve

Voltage	Code
T11	23010
T12	23010
T13	23261

Ref. 9* - Relay

Voltage	Current Version	till s/n. 699275
T11	23190	23190
T12	23190	23190
T13	231099	23557

Ref. 11* - Cond. Pressure Switch

Voltage	Code
T11	23175
T12	23175
T13	23175

Ref. 13 - Gearmotor

Voltage	Current Version	Till s/n. 594455
T11	231030	R231030
T12	231030	R231030
T13	231056	R231056