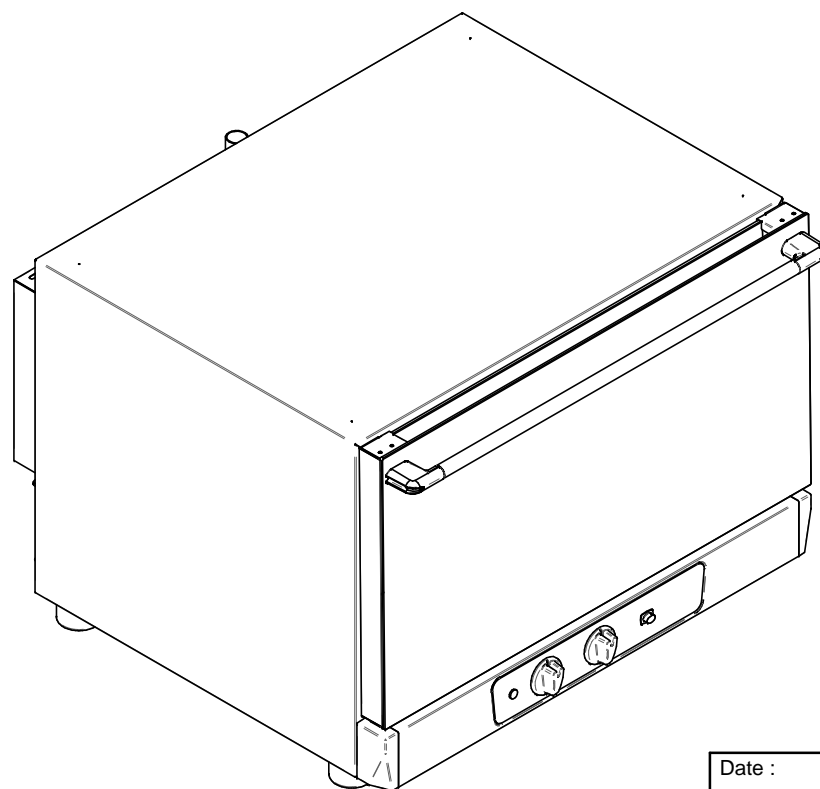


scala 1:10



| ENGLISH | |
|---------|--|
| 01. | HUMIDIFICATION BUTTON |
| 02. | TIME KNOB |
| 03. | TEMPERATURE KNOB |
| 04. | ORANGE ON/OFF HEATING ELEMENT |
| 06. | HUMIDIFY SOLENOID VALVE 3/4" BSP (GAS) |
| 07. | UNIPOTENTIAL TERMINAL |
| 08. | COMPRESSION CABLE GLAND |
| 09. | HOT FUMES EXHAUST CHIMNEY |

Scale :
1:8

Reserved property :



Drawing by:
C. R.

Date :
11/09/2014

Description :
OVEN DRAWINGS

Model :
B04M

Name:
AD46M

APACH