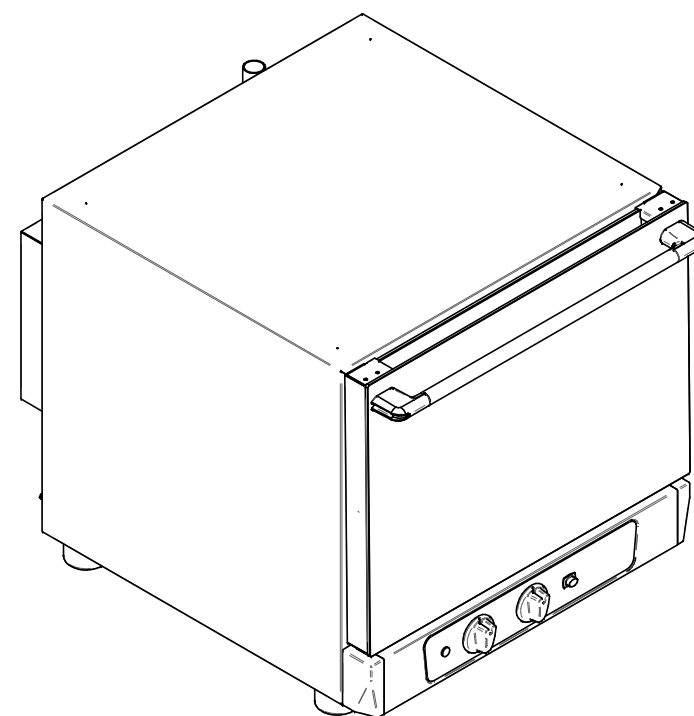


scala 1:10



ENGLISH

- 01. HUMIDIFICATION BUTTON
- 02. TIME KNOB
- 03. TEMPERATURE KNOB
- 04. LIGHT ON/OFF HEATING ELEMENT
- 05. POWER SUPPLY CABLE
- 06. HUMIDIFY SOLENOID VALVE 3/4" BSP (GAS)
- 07. UNIPOTENTIAL TERMINAL
- 08. COMPRESSION CABLE GLAND
- 09. HOT FUMES EXHAUST CHIMNEY

Scale : 1:10  
mm

Reserved property :

A3

Drawing by:  
C. R.

Date :  
11/09/2014

Description :  
**OVEN DRAWINGS**

Model :  
B043M

Name:  
**AD44M**

**APACH**