



FANTASTIC ECO

Off Grid, On Demand,
Truly Natural



Cut the cord for sustainability. Environmentally friendly and silent juicing – fresh, on demand, and powered by you.

CORDLESS JUICING: No electricity needed. Simply crank the wheel to start juicing. Switch between right and left-handed operation. Ideal for any location with on-demand juicing or location-flexibility needs.

SUPERIOR TASTE: Patented SCS Up&Down dynamic knife delivers precise fruit cuts, reduces peel oil, and yields sweeter-tasting juice.

MAXIMIZED HYGIENE: 304 food-grade stainless steel ensures food safety. Dishwasher-safe Double Cover and juicing parts maximize hygiene.

EFFICIENT OPERATION: One single Cross Holder secures all juicing elements and speeds up disassembly and cleaning.

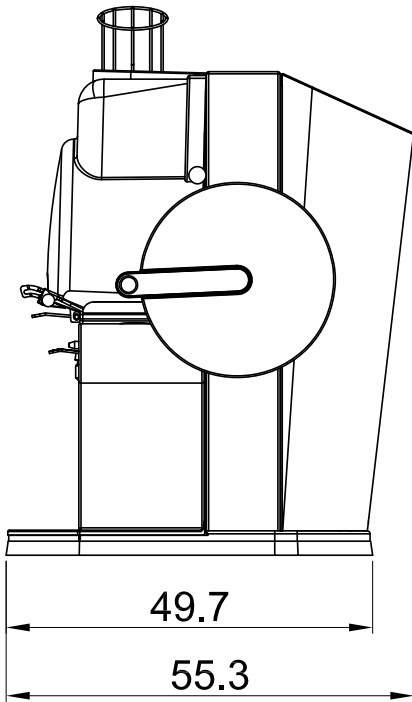
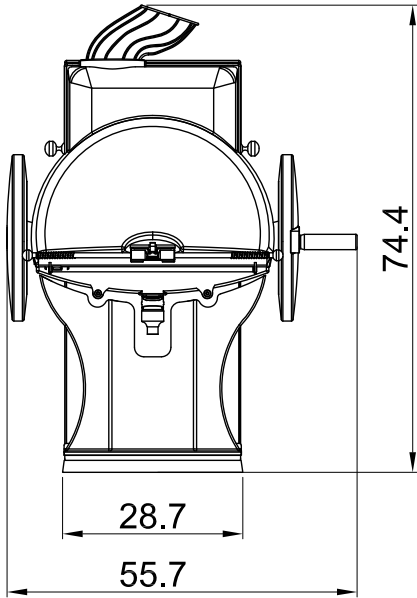
UNMATCHED DURABILITY: Robust materials and design. Complete triple-sealed separation of juicing zone and gear housing for durability and longer machine life. Industry-known Citrocasa quality.

ULTIMATE VERSATILITY: Indoor, outdoor, anywhere, anytime. No plugs, no cables. Easily switch to optional Small Pressing Kit for juicing lemons and limes.

ATTRACTIVE RETURNS: Elegant eye-catching design attractively priced. Ideal for entering the world of on-demand fresh juicing.



FANTASTIC ECO



Drawing measurements in cm

| Footprint W/D:
11 / 19.5 inches

| Body W (incl. handle)/D:
22 inches

| Height:
29.5 inches

MANUAL-DRIVE CITRUS JUICER

Fruit supply tunnel

4 pieces

Fruit type

Citrus fruit

Fruit size, Standard Pressing Kit (incl.)

2.55-3.14 in

Fruit size, Small Pressing Kit (opt.)

1.96-2.55 in

Installation

Free-standing / countertop kit /
Stainless-steel cabinet

Parts and Support

(407) 790 7862

Power supply

No electricity required

Operation

Manual / Left or right-handed

Net weight

126 lb

Warranty

Limited 2-year

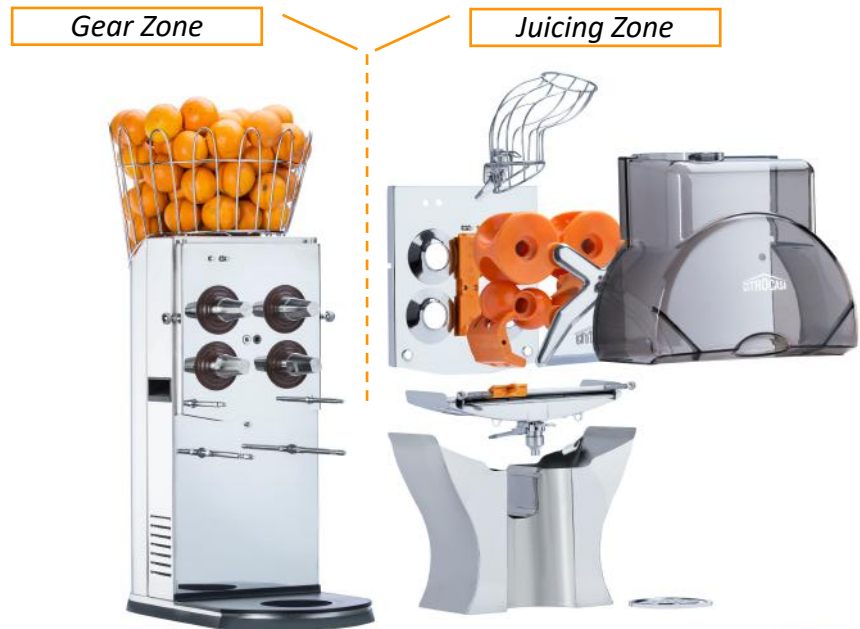
Certifications

NSF, TÜV Product Service, ISEGA,
ANSI and SCC accredited

www.citrusamerica.com

2-ZONE TECHNOLOGY:

Complete separation of *gear housing* and *juicing zone* with stainless-steel
Double Cover for improved hygiene and cleaning efficiency.



OPTIONAL ACCESSORIES:

- | Fruit Basket
- | Small Pressing Kit for lemons & limes
- | Counter-Installation Kit
- | Rolling Stainless-Steel Cabinet
- | Bottle Dispenser | Slide Tray | Display Shelf

