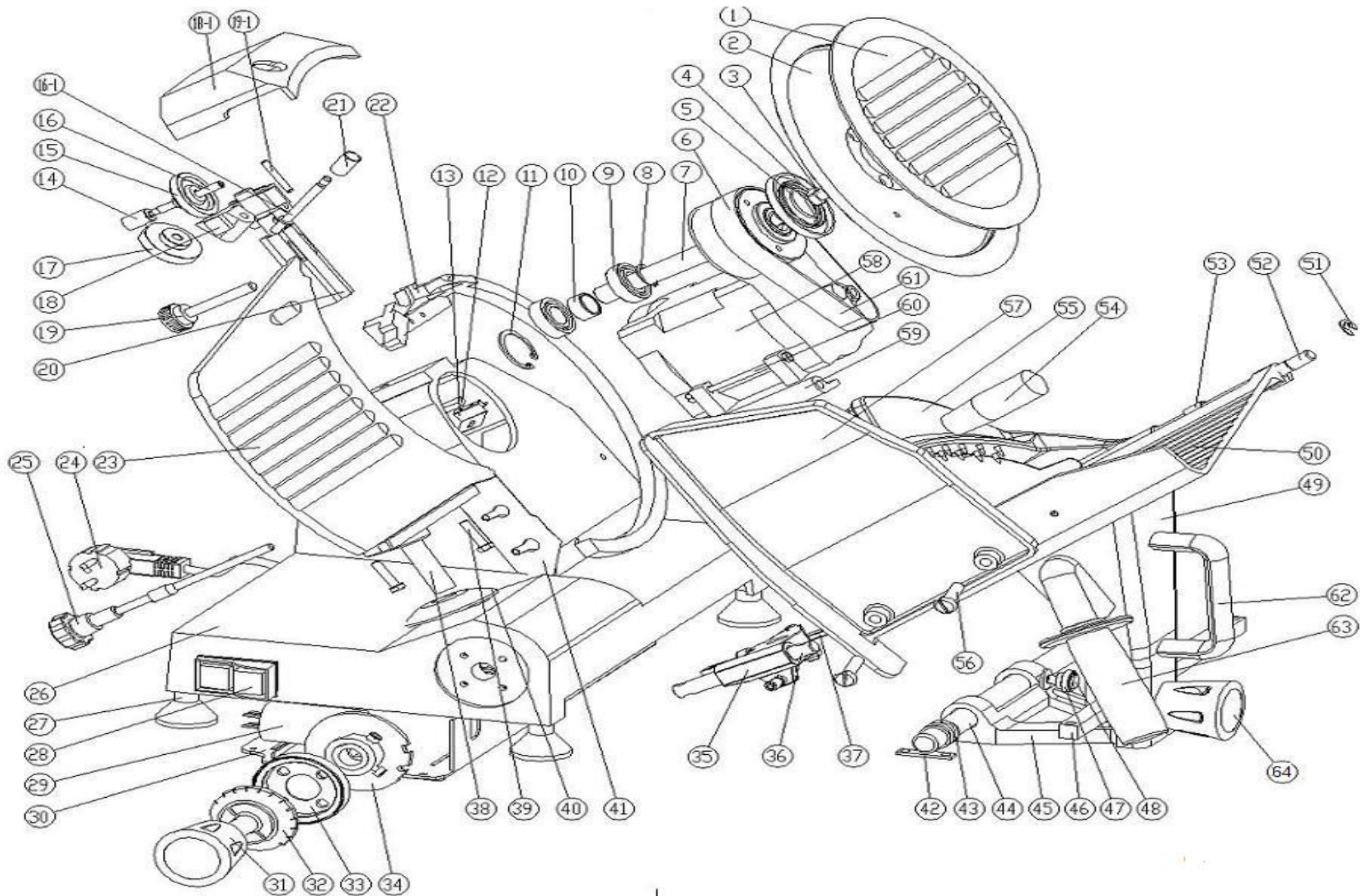


# Exploded View for meat slicer HBS-195JS/220JS/220A/250A/275A/300A/250/275/300/250L/300L





|    |   |       |       |       |       |       |       |       |       |       |       |       |
|----|---|-------|-------|-------|-------|-------|-------|-------|-------|-------|-------|-------|
| 34 | cam   | 2.00  | 2.00  | 2.00  | 2.30  | 2.30  | 2.00  | 2.00  | 2.30  | 2.30  | 2.00  | 2.30  |
| 35 | slide holder                                    | 2.30  | 2.30  | 2.40  | 3.00  | 3.00  | 2.40  | 2.40  | 3.00  | 3.00  | 2.40  | 3.00  |
| 36 | slide axis                                      | 1.00  | 1.00  | 1.10  | 1.30  | 1.30  | 1.00  | 1.10  | 1.30  | 1.30  | 1.10  | 1.30  |
| 37 | Axis for slide holder                           | 0.10  | 0.10  | 0.10  | 0.10  | 0.10  | 0.10  | 0.10  | 0.10  | 0.10  | 0.10  | 0.10  |
| 38 | holder for locring plate                        | 3.40  | 3.40  | 3.90  | 4.40  | 4.40  | 3.40  | 3.90  | 4.40  | 4.40  | 3.90  | 4.40  |
| 39 | locking nut for locring plate                   | 0.10  | 0.10  | 0.10  | 0.10  | 0.10  | 0.10  | 0.10  | 0.10  | 0.10  | 0.10  | 0.10  |
| 40 | sealing ring for locring plate                  | 0.20  | 0.20  | 0.20  | 0.20  | 0.20  | 0.20  | 0.20  | 0.20  | 0.20  | 0.20  | 0.20  |
| 41 | scraping board                                  | 0.40  | 0.40  | 0.40  | 0.50  | 0.50  | 0.40  | 0.40  | 0.50  | 0.50  | 0.40  | 0.50  |
| 42 | locring board for circle orbit                  | 0.00  | 0.00  | 0.00  | 0.00  | 0.00  | 0.00  | 0.00  | 0.00  | 0.00  | 0.00  | 0.00  |
| 43 | spring for circle orbit                         | 0.30  | 0.30  | 0.30  | 0.40  | 0.40  | 0.30  | 0.30  | 0.40  | 0.40  | 0.30  | 0.40  |
| 44 | circle orbit                                    | 3.20  | 3.20  | 3.40  | 4.10  | 4.10  | 3.20  | 3.40  | 4.10  | 4.10  | 3.40  | 4.10  |
| 45 | sliding frame                                   | 4.10  | 4.10  | 4.10  | 4.70  | 4.70  | 4.10  | 4.10  | 4.70  | 4.70  | 4.10  | 4.70  |
| 46 | square orbit                                    | 1.80  | 1.80  | 2.10  | 2.40  | 2.40  | 1.80  | 2.10  | 2.40  | 2.40  | 2.10  | 2.40  |
| 47 | Spherical Bearings                              | 0.90  | 0.90  | 0.90  | 1.20  | 1.20  | 0.90  | 0.90  | 1.20  | 1.20  | 0.90  | 1.20  |
| 48 | Axis for sliding frame                          | 0.50  | 0.50  | 0.50  | 0.60  | 0.60  | 0.50  | 0.50  | 0.60  | 0.60  | 0.50  | 0.60  |
| 49 | carriage stand                                  | 5.20  | 5.20  | 6.00  | 7.30  | 7.30  | 5.70  | 6.00  | 7.30  | 7.30  | 6.00  | 7.30  |
| 50 | carriage  | 5.70  | 6.30  | 7.30  | 8.50  | 8.50  | 6.30  | 7.30  | 8.50  | 8.50  | 7.30  | 8.50  |
| 51 | Circlip   | 0.00  | 0.00  | 0.00  | 0.00  | 0.00  | 0.00  | 0.00  | 0.00  | 0.00  | 0.00  | 0.00  |
| 52 | pole for carriage                               | 1.00  | 1.00  | 1.20  | 1.80  | 1.80  | 1.10  | 1.20  | 1.80  | 1.80  | 1.20  | 1.80  |
| 53 | bearing for pole of carriage                    | 0.40  | 0.40  | 0.40  | 0.40  | 0.40  | 0.40  | 0.40  | 0.40  | 0.40  | 0.40  | 0.40  |
| 54 | handle of pressor                               | 0.90  | 0.90  | 0.90  | 1.10  | 1.10  | 0.90  | 0.90  | 1.10  | 1.10  | 1.80  | 1.80  |
| 55 | pressor   | 3.80  | 4.40  | 5.00  | 6.20  | 6.20  | 5.00  | 5.00  | 6.20  | 6.20  | 5.00  | 6.20  |
| 56 | French countersunk head screw                   | 0.20  | 0.20  | 0.20  | 0.30  | 0.30  | 0.20  | 0.20  | 0.30  | 0.30  | 0.20  | 0.30  |
| 57 | protection board (includes screw)               | 2.40  | 2.40  | 2.90  | 3.40  | 3.40  | 2.40  | 2.90  | 3.40  | 3.40  | 2.90  | 3.40  |
| 58 | motor   | 27.00 | 27.00 | 33.50 | 38.40 | 38.40 | 28.90 | 33.50 | 38.40 | 38.40 | 33.50 | 38.40 |
| 59 | bracket for motor                               | 0.30  | 0.30  | 0.30  | 0.50  | 0.50  | 0.30  | 0.30  | 0.50  | 0.50  | 0.30  | 0.50  |
| 60 | Hinge axis                                      | 0.00  | 0.00  | 0.00  | 0.00  | 0.00  | 0.00  | 0.00  | 0.00  | 0.00  | 0.00  | 0.00  |
| 61 | belt  | 1.40  | 1.40  | 1.40  | 1.50  | 1.50  | 1.40  | 1.40  | 1.50  | 1.50  | 1.40  | 1.50  |
| 62 | U type handle                                   | /     | /     | 1.60  | 1.60  | 1.60  | 1.60  | 1.60  | 1.60  | 1.60  | /     | /     |
| 63 | Aluminum handle ( only for HBS-250L & HBS-300L) | /     | /     | /     | /     | /     | /     | /     | /     | /     | 3.10  | 3.30  |
| 64 | round handle                                    | 1.10  | 1.10  | 1.10  | 1.30  | 1.30  | 1.10  | 1.10  | 1.30  | 1.30  | 8.70  | 9.70  |