

POTATO PEELER KITCHEN LINE

229200, 229217, 229224



You should read this user manual carefully before using the appliance.

Bevor Sie das Gerät in Betrieb nehmen, sollten Sie diese Gebrauchsanweisung aufmerksam lesen.

Alvorens de apparatuur in gebruik te nemen dient u deze gebruiksaanwijzing aandachtig te lezen.

Przed uruchomieniem urządzenia należy koniecznie dokładnie przeczytać niniejszą instrukcję obsługi.

Lisez attentivement ce mode d'emploi avant d'utiliser l'appareil.

Prima di utilizzare l'apparecchio in funzione leggere attentamente le istruzioni per l'uso.

Citiți cu atenție prezentul manual de utilizare înainte de folosirea aparatului.

Внимательно прочитайте руководство пользователя перед использованием прибора.

Πρέπει να διαβάσετε αυτές τις οδηγίες χρήσης προσεκτικά πριν χρησιμοποιήσετε τη συσκευή.

Před uvedením spotřebiče do provozu byste si měli pečlivě přečíst návod k použití.

Prieš naudodamiesi įrenginiu atidžiai perskaitykite šias naudojimosi instrukcijas.



Keep these instructions with the appliance.
Diese Gebrauchsanweisung bitte beim Gerät aufbewahren.
Bewaar deze handleiding bij het apparaat.
Zachowaj instrukcję urządzenia
Gardez ces instructions avec cet appareil.
Conservate le istruzioni insieme all'apparecchio.
Păstrați manualul de utilizare alături de aparat.
Хранить руководство вместе с устройством.

Φυλάξτε αυτές τις οδηγίες μαζί με τη συσκευή.
Tyto pokyny uschovejte u přístroje.
Laikykite šias instrukcijas kartu su įrenginiu.



For indoor use only.
Nur zur Verwendung im Innenbereich.
Alleen voor gebruik binnenshuis.
Do użytku wewnątrz pomieszczeń.
Pour l'usage à l'intérieur seulement.
Destinato solo all'uso domestico.
Doar pentru uz la interior.
Использовать только в помещениях.


Για χρήση μόνο σε εσωτερικό χώρο.
Pouze pro vnitřní použití.
Naudoti tik patalpoje.



Dear Customer,

Thank you for purchasing this HENDI appliance. Read this manual carefully, paying particular attention to the safety regulations outlined below, before installing and using this appliance for the first time.

Safety regulations

- This appliance is not intended for household use.
- Only use the appliance for the intended purpose it was designed for as described in this manual.
- The manufacturer is not liable for any damage caused by incorrect operation and improper use.
- Keep the appliance and electrical plug away from water and other liquids. In the event the appliance falls into water, immediately remove the power plug from the socket. Do not use the appliance until it has been checked by a certified technician. Failure to follow these instructions will cause life threatening risks.
- Never attempt to open the housing of the appliance by yourself.
- Do not insert objects into the housing of the appliance.
- Do not touch the plug with wet or damp hands.
-  **Danger of electric shock!** Do not attempt to repair the appliance by yourself, repairs are only to be conducted by qualified personnel.
- **Never use a damaged appliance!** When it's damaged, disconnect the appliance from the socket and contact the retailer.
- **Warning!** Do not immerse the electrical parts of the appliance in water or other liquids.
- Never hold the appliance under running water.
- Regularly check the power plug and cord for any damage. When damaged it must be replaced by a service agent or similarly qualified person in order to avoid danger or injury.
- Make sure the cord does not come in contact with sharp or hot objects and keep it away from open fire. Never pull the power cord to unplug it from the socket, always pull the plug instead.
- Make sure that the power cord and/or extension cord do not cause a trip hazard.
- Never leave the appliance unattended during use.
- **Warning!** As long as the plug is in the socket the appliance is connected to the power source.
- Turn off the appliance before unplugging it from the socket.
- Connect the power plug to an easily accessible electrical socket so that in case of emergency the appliance can be unplugged immediately.
- Never carry the appliance by the cord.
- Do not use any extra devices that are not supplied together with the appliance.
- Only connect the appliance to an electrical outlet with the voltage and frequency mentioned on the appliance label.
- Never use accessories other than those recommended by the manufacturer. Failure to do so could pose a safety risk to the user and could damage the appliance. Only use original parts and accessories.

EN



- This appliance should not be operated by persons with reduced physical, sensory or mental capabilities, or persons that have a lack of experience and knowledge.
- This appliance should, under any circumstances, not be used by children.
- Keep the appliance and its power cord out of reach of children.
- **WARNING:** ALWAYS switch off the appliance and unplug from power socket before cleaning, maintenance or storage.

Special Safety Regulations

- This appliance should be operated by trained personnel only.
- Do not place the appliance on a heat source (gasoline, electric, charcoal cooker, etc.)
Keep the appliance away from any hot surfaces and open flames.
- Do not use the appliance near explosive or flammable materials, credit cards, magnetic discs or radios.
- Always operate the appliance on a level, stable, clean, heat-resistant and dry surface.
- Do not operate this appliance by means of an external timer or remote-control system.
- Never bypass any safety locks and switches on the appliance.
- **WARNING:** Keep all ventilation openings in the appliance clear of obstruction.
- **WARNING:** ALWAYS keep hands, hair and clothing away from the moving parts.
- Allow at least 15 cm space around the appliance during use for ventilation purposes.
- **Caution!** Securely route the power cord in order to prevent unintentional pulling or contact with the heating surface.
- Do not wash the body of appliance with water or a waterjet. Washing with water can cause leakage which increases the risk of electric shock.
- Do not clean or store the appliance until it is completely cooled down.
- Do not move the appliance while in operation. Unplug the appliance when moving and hold it at the bottom.
- Do not operate the appliance without content to avoid overheating.
- Never operate the appliance without the lid and rotating plate installed.
- No parts are dishwasher safe.

EN

Intended use

- This appliance is intended for professional use and can be operated only by qualified personnel.
- This appliance is designed only for peeling potatoes in commercial use. Any other use may lead to damage of the appliance or personal injury.
- Operating the appliance for any other purpose shall be deemed a misuse of the device. The user shall be solely liable for improper use of the device.

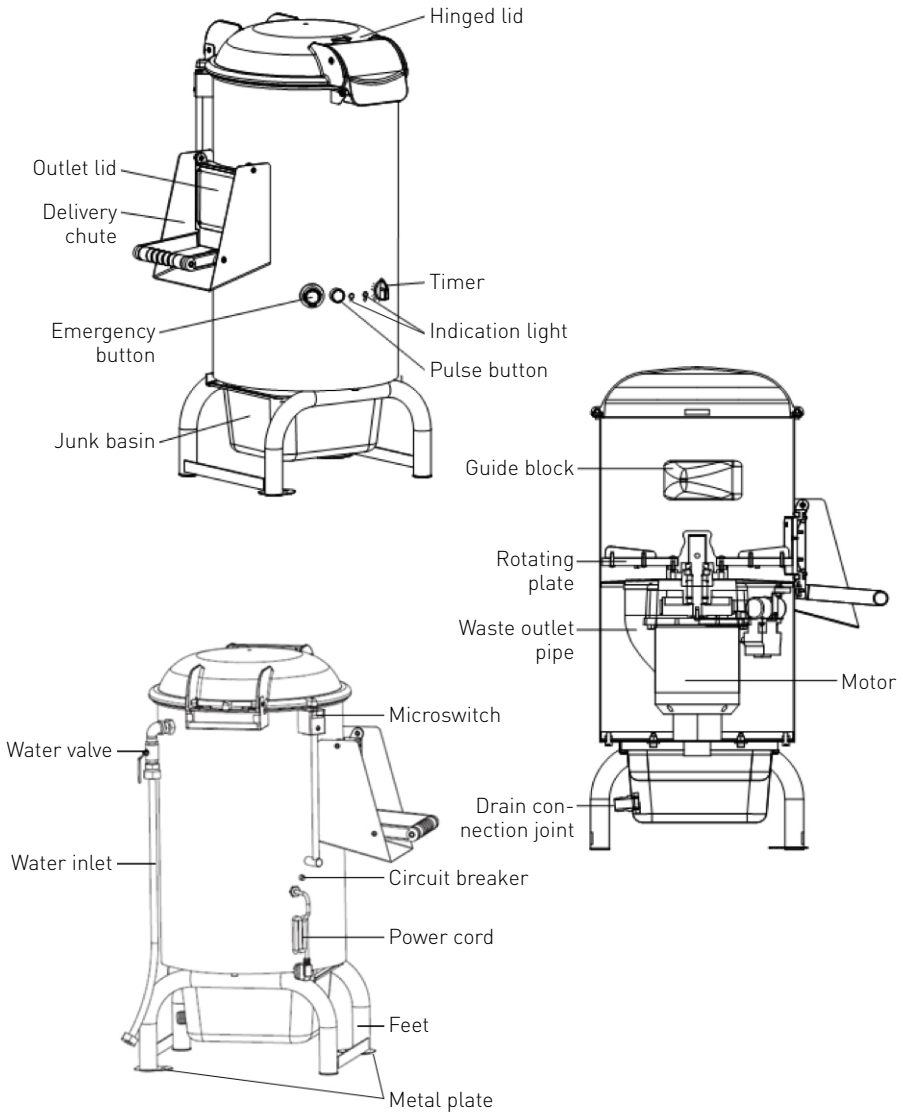
Grounding installation

This appliance is classified as **protection class I** and must be connected to a protective ground. Grounding reduces the risk of electric shock by providing an escape wire for the electric current.

This appliance is fitted with a power cord that has a grounding wire and grounded plug. The plug must be plugged into an outlet that is properly installed and grounded.



Product description

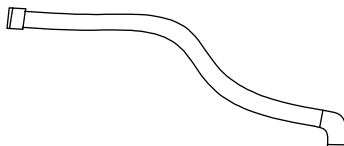


EN

Accessories



Expansion bolt



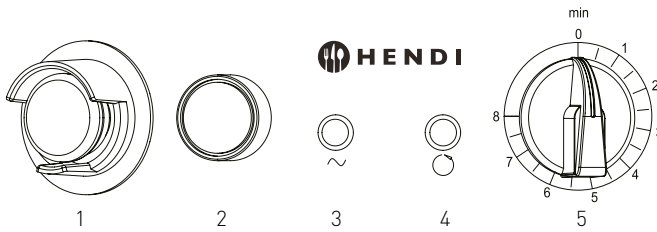
Drain hose
(Junk basin)



Hose clamp



Control panel



1) Emergency button

- In case of emergency (e. g. blockage, abnormal vibration or noise etc.), press the button immediately. The appliance stops. All the other buttons / switches are deactivated until the emergency button is reset.

Note: To reset the emergency button, rotate it clockwise, until it pops out to the initial position.

2) Pulse button

- Use to discharge the peeled potatoes.
- Note: Do not press the pulse button during peeling operation.

3) Power-on indicator

- The indicator is on when the appliance is connected to the mains and power on.

4) Operating indicator

- The indicator is on while the motor is operating.

5) Timer knob

- Turn the timer knob to the desired operating time [0-8 minutes] to start the machine.

EN

Preparations before installation

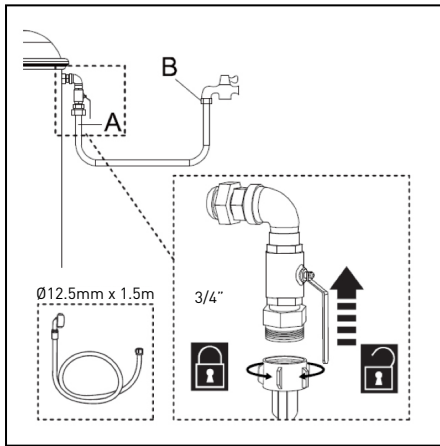
- Remove all protective packaging and wrapping.
- Check the appliance transport damages. Make sure all the parts are supplied. In case of incomplete delivery (e.g. drain hose, hose clamps, expansion bolts) or damage, contact supplier immediately. DO NOT use the appliance. (See; Warranty).
- Clean the appliance before use (See; Cleaning and Maintenance).
- Make sure the appliance is completely dry.
- Keep the packaging if you intend to store your appliance in the future.

Installation

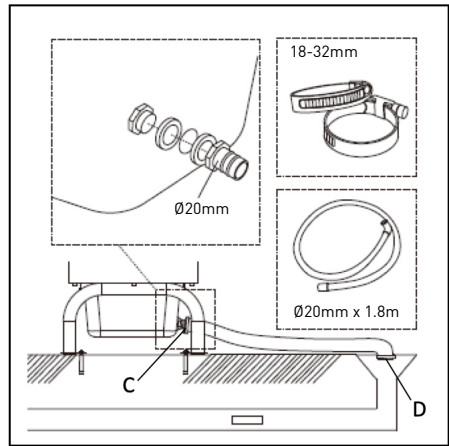
- Ensure the machine is placed in a dry area and that surface is level and has sufficient strength to support the machine.
- Ensure that the electrical power supply corresponds with the rating label on the machine.
- Ensure there are no obstructions nearby.
- **CAUTION!** Never bypass any safety locks and switches on the appliance.
- Ensure the expansion bolts (supplied) are installed to the metal plates (on the feet) to fix the appliance.
- In any case, installation should be carried out by taking into account any applicable industrial safety regulations in force.



Connection to water supply and drainage system



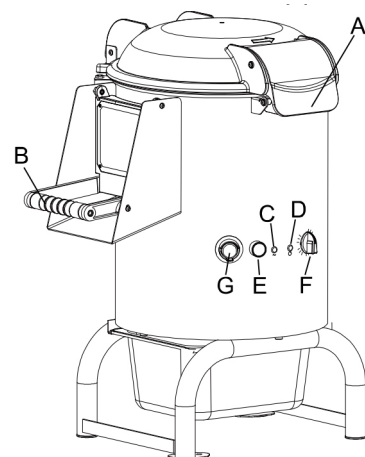
- 1) Connect to water supply by means of the supplied hose ($\varnothing 12.5\text{mm} \times 150\text{cm}$) and $3/4$ " couplings. Proceed as follows:
 - I. Connect hose to inlet at the back side of the machine (Location A).
 - II. Connect the other end of the hose to water supply (Location B).
 - III. The appliance includes a water valve for controlling of water flow conveniently.



- 2) Connect to drainage system by means of the supplied hose ($\varnothing 25\text{mm} \times 180\text{cm}$) and hose clamps. Proceed as follows:
 - I. Put the hose clamps onto the hose.
 - II. Connect hose to the joint of the junk basin (Location C) and affixed by the hose clamps.
 - III. The other end of the drain hose is inserted into the drainage system (Location D).

Operation

Attention: This appliance has a safety system which ensures will prevent operation unless the lid is correctly placed.



- 1) Open the transparent lid by pulling the handle A until it clicks open.
- 2) Put the rotating plate in and load the tank with the product to be processed.
- 3) Lock the lid and make sure the outlet door B is locked.
- 4) Connect the water supply and switch on the water valve. Make sure water is flowing in. (see "Connection to water supply and drainage system").
- 5) Switch on the mains power. Power-on indicator C will go on.
- 6) Start the machine by turning the timer F on the required working-cycle time length, the operating indicator D will go on.
- 7) When the setting time is reached, the machine will stop automatically and the operating indicator will go off.

EN



8) Open the outlet door B after preparing a container. Then press pulse button E to rotate of the disk. Meanwhile hold the outlet door until getting all potatoes.

DANGER — CAUTION: Never put your hand inside the outlet door. If there is any accident occurred, please press the emergency button immediately.

WARNING! The appliance should not be operated without load.

NOTE: Remove the peeling plate and check the waste outlet pipe for blockage for each cycle.

NOTE: The appliance is equipped with two safety switches.

a) The reed-switch is equipped with a magnet mechanism. The appliance stops automatically when the upper lid or the outlet lid is opened during operation.

b) Over current protection switch (Circuit breaker) is designed to protect the electrical circuit from damage caused by excess current as a result of an overload or short circuit. The switch interrupts current flow after a fault is detected.

Note: To reset the switch, press it after the issue is solved.

Important

• **WARNING!** Never insert your hands in the appliance while in operation.

- Do not use wooden/metal or plastic objects to scrape ingredients.
- Never use frozen potatoes.

Cleaning and Maintenance

Attention: Always unplug the appliance from the electrical socket and let it cool completely before cleaning and storage.

Cleaning

- Clean the appliance before and after each use.
- Never immerse the appliance in water or other liquids.
- Clean the cooled exterior surface with a slightly damp cloth or sponge with some mild soap solution.
- Make sure to clean the upper lid (incl. the gasket), delivery chute and basins. Dry with a soft dry cloth.

- Open the upper lid and remove the peeling plate from the peeling chamber. Clean the peeling plate and peeling chamber interior with a suitable brush. Rinse them with clear water afterward.
- Never use abrasive sponges or detergents, steel wool or metallic utensils to clean the interior or exterior parts of the appliance.
- If the appliance is idle for a long time, make sure to lubricate all metal before use.

Storage

- Store the appliance in a cool, clean and dry place.
- Wipe the outside of the machine at least once a month with a soft damp cloth and, if necessary, a little mild detergent.

Troubleshooting

If the appliance does not function properly, check the below table for possible solutions. If your problem isn't solved by one of these solutions, please contact the supplier/service provider.

Problem	Solution
The appliance does not start	Make sure it is plugged in.
	Make sure the safety circuit breaker is closed.
	Make sure the emergency button is not triggered.
	If the problem occurs after a long period of intensive use, the motor may have overheated. Wait at least 20 minutes and try again. If you put the appliance in a cool place, this will reduce the waiting time.

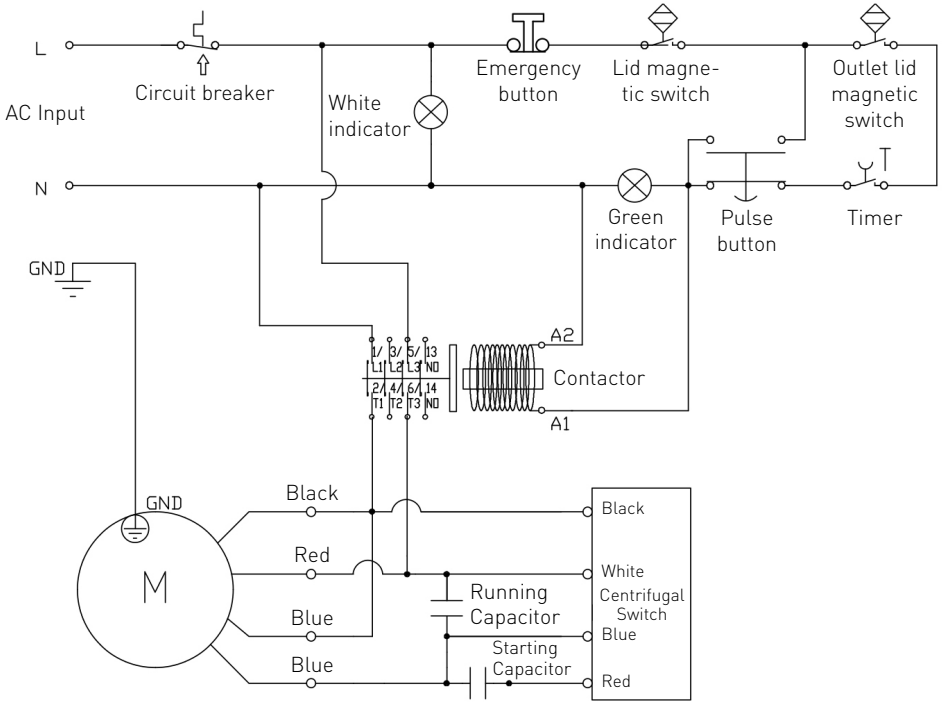
Technical specification

Item no.	229200	229217	229224
Operating voltage & frequency	230V- 50Hz		
Rated power consumption	550W	750W	1100W
Dimensions	540x622x(h)802mm	540x622x(h)857mm	540x622x(h)997mm
Capacity	5kg / 12L	10kg / 22L	18kg / 28L
A-weighted emission sound pressure level	> 70dB(A)		
Protection class	Class I		
Waterproof class	IP23		
Net weight	39,2kg	39,6kg	42,4kg

Remark: Technical specification is subjected to change without notification.



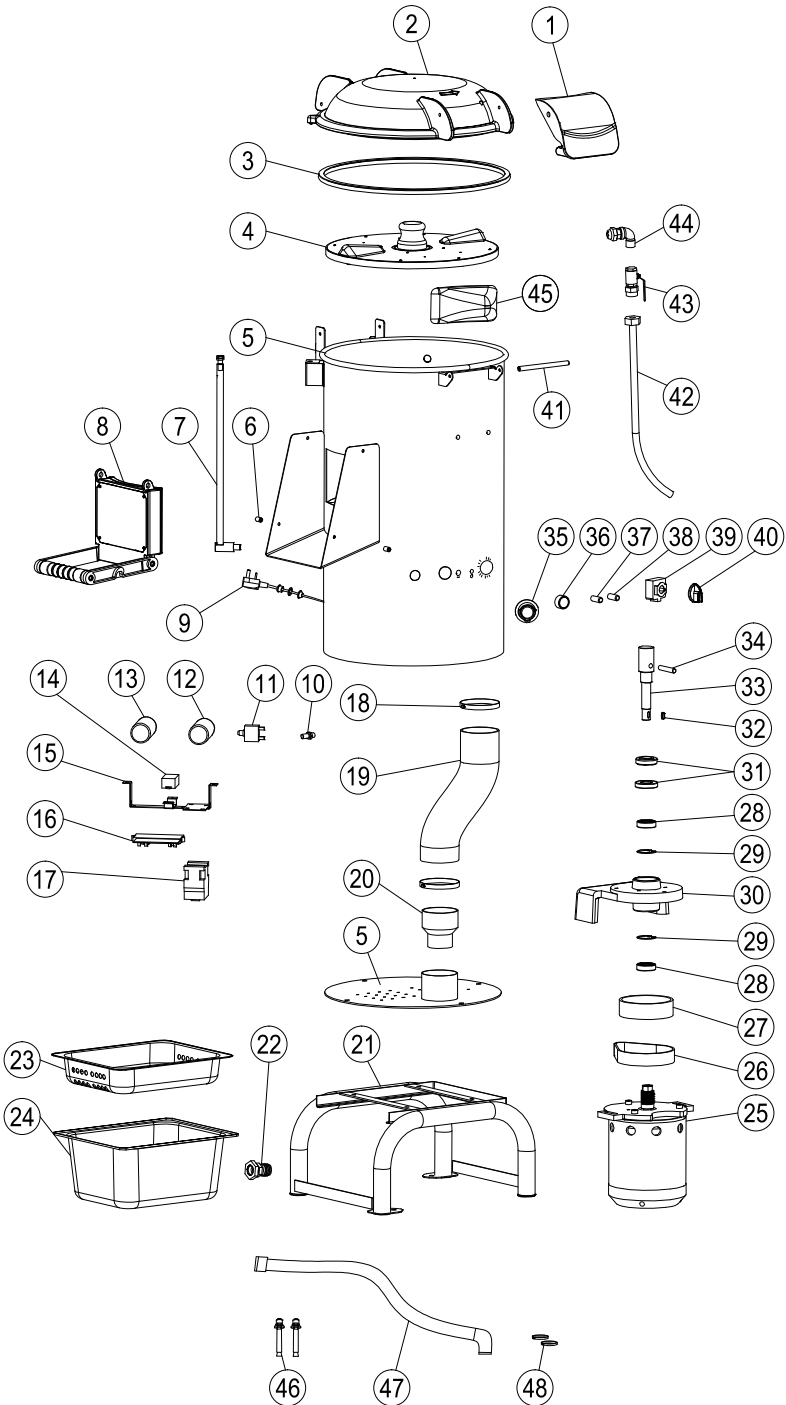
Circuit diagram



EN



Exploded drawing and part list



EN



Part no.	Part name	Part no.	Part name
1	Locking plate	25	Motor
2	Hinged lid	26	Belt
3	Seal ring	27	Belt wheel
4	Abrasive disc	28	6004 Bearing
5	S/S Cylinder	29	C-type snap ring
6	Protruding pin	30	Motor fixing board
7	Wire pipe	31	Sealing ring
8	Outlet lid	32	Flat key
9	Power cord	33	Output shaft
10	Microswitch	34	Fixed position pin
11	Circuit breaker	35	Emergency button
12	Running capacitor	36	Pulse button
13	150uF Starting capacitor	37	White indicator
14	Centrifugal switch	38	Green indicator
15	Bracket of PCB	39	Timer
16	PCB panel	40	Knob of timer
17	Contacto	41	Bayonet pin
18	Hose clamp	42	Hose
19	Waste outlet pipe	43	Water valve
20	Discharge pipe coupling	44	L type connector
21	Support bracket	45	Guide block
22	Drain connection joint	46	Expansion bolt
23	Sieve basin	47	Drain hose (Junk basin)
24	Junk basin	48	Hose clamp

Warranty

Any defect affecting the functionality of the appliance which becomes apparent within one year after purchase will be repaired by free repair or replacement provided the appliance has been used and maintained in accordance with the instructions and has not been abused or misused in any way. Your statutory rights are not affected. If the appliance is claimed under warranty, state where and

when it was purchased and include proof of purchase (e.g. receipt).

In line with our policy of continuous product development we reserve the right to change the product, packaging and documentation specifications without notice.

Discarding & Environment

When decommissioning the appliance, the product must not be disposed of with other household waste. Instead, it is your responsibility to dispose to your waste equipment by handing it over to a designated collection point. Failure to follow this rule may be penalized in accordance with applicable regulations on waste disposal. The separate collection and recycling of your waste equipment at the time of disposal will help conserve natural re-

sources and ensure that it is recycled in a manner that protects human health and the environment.


For more information about where you can drop off your waste for recycling, please contact your local waste collection company. The manufacturers and importers do not take responsibility for recycling, treatment and ecological disposal, either directly or through a public system.



Sehr geehrter Kunde,

Vielen Dank für den Kauf dieses Hendi Gerät. Lesen Sie dieses Handbuch sorgfältig und achten Sie besonders auf die unten aufgeführten Sicherheitsvorschriften, bevor Sie dieses Gerät zum ersten Mal installieren und verwenden.

Sicherheitsvorschriften

- Dieses Gerät ist nicht für den Haushaltsgebrauch bestimmt.
- Verwenden Sie das Gerät nur für den vorgesehenen Zweck, für den es entworfen wurde, wie in diesem Handbuch beschrieben.
- Der Hersteller haftet nicht für Schäden, die durch fehlerhafte Bedienung und unsachgemäße Verwendung verursacht werden.
- Halten Sie das Gerät und den elektrischen Stecker von Wasser und anderen Flüssigkeiten fern. Falls das Gerät in Wasser fällt, entfernen Sie sofort den Netzstecker von der Steckdose. Verwenden Sie das Gerät erst, wenn es von einem zertifizierten Techniker überprüft wurde. Die Nichtbefolgung dieser Anweisungen führt zu lebensbedrohlichen Risiken.
- Versuchen Sie niemals, das Gehäuse des Geräts selbst zu öffnen.
- Legen Sie keine Objekte in das Gehäuse der Appliance ein.
- Berühren Sie den Stecker nicht mit nassen oder feuchten Händen.
-  **Gefahr eines elektrischen Schlags!** Versuchen Sie nicht, das Gerät selbst zu reparieren, Reparaturen sind nur von qualifiziertem Personal durchzuführen.
- **Verwenden Sie niemals ein beschädigtes Gerät!** Wenn es beschädigt ist, trennen Sie das Gerät von der Steckdose und wenden Sie sich an den Händler.
- **Warnung!** Tauchen Sie die elektrischen Teile des Geräts nicht in Wasser oder andere Flüssigkeiten ein.
- Halten Sie das Gerät niemals unter fließendem Wasser.
- Überprüfen Sie regelmäßig den Netzstecker und das Kabel auf Beschädigungen. Bei Beschädigung muss es durch einen Dienstleister oder eine ähnlich qualifizierte Person ersetzt werden, um Gefahren oder Verletzungen zu vermeiden.
- Stellen Sie sicher, dass das Kabel nicht mit scharfen oder heißen Gegenständen in Berührung kommt und halten Sie es von offenem Feuer fern. Ziehen Sie niemals das Netzkabel, um es von der Steckdose zu trennen, ziehen Sie stattdessen immer den Stecker.
- Stellen Sie sicher, dass das Netzkabel und/oder das Verlängerungskabel keine Auslösegefahr verursachen.
- Lassen Sie die Appliance während des Gebrauchs niemals unbeaufsichtigt.
- **Warnung!** Solange sich der Stecker in der Steckdose befindet, wird das Gerät an die Stromquelle angeschlossen.
- Schalten Sie die Appliance aus, bevor Sie sie vom Sockel trennen.
- Schließen Sie den Netzstecker an eine leicht zugängliche Steckdose an, so dass das Gerät im Notfall sofort abgenommen werden kann.

DE



- Tragen Sie das Gerät niemals an der Schnur.
- Verwenden Sie keine zusätzlichen Geräte, die nicht zusammen mit der Appliance geliefert werden.
- Schließen Sie das Gerät nur an eine Steckdose mit der Spannung und Frequenz an, die auf dem Etikett des Gerätes angegeben ist.
- Verwenden Sie niemals anderes Zubehör als das vom Hersteller empfohlene Zubehör. Andernfalls könnte ein Sicherheitsrisiko für den Benutzer darstellen und das Gerät beschädigen. Verwenden Sie nur Originalteile und Zubehör.
- Dieses Gerät sollte nicht von Personen mit eingeschränkter körperlicher, sensorischer oder geistiger Leistungsfähigkeit oder von Personen mit mangelnder Erfahrung und Kenntnissnahme betrieben werden.
- Dieses Gerät sollte unter keinen Umständen von Kindern verwendet werden.
- Bewahren Sie das Gerät und das Netzkabel außerhalb der Reichweite von Kindern auf.
- **ACHTUNG:** Schalten Sie das Gerät immer aus und ziehen Sie es vor der Reinigung, Wartung oder Lagerung von der Steckdose ab.

Besondere Sicherheitsvorschriften

- Dieses Gerät sollte nur von geschultem Personal betrieben werden.
- Stellen Sie das Gerät nicht auf eine Wärmequelle (Benzin, Elektro, Kohlekoher, etc.) Halten Sie das Gerät von heißen Oberflächen und offenen Flammen fern.
- Verwenden Sie das Gerät nicht in der Nähe von explosiven oder brennbaren Materialien, Kreditkarten, Magnetscheiben oder Radios.
- Betreiben Sie das Gerät immer auf einer ebenen, stabilen, sauberen, hitzebeständigen und trockenen Oberfläche.
- Betreiben Sie dieses Gerät nicht über einen externen Timer oder eine Fernbedienung.
- Vermeiden Sie niemals Sicherheitsschlösser und Schalter am Gerät.
- **ACHTUNG:** Halten Sie alle Lüftungsöffnungen im Gerät frei von Hindernissen.
- **WARNUNG:** Halten Sie immer Hände, Haare und Kleidung von den beweglichen Teilen fern.
- Lassen Sie während des Gebrauchs für Belüftungszwecke mindestens 15 cm Platz um das Gerät herum.
- **Vorsicht!** Verlegen Sie das Netzkabel sicher, um unbeabsichtigtes Ziehen oder Kontakt mit der Heizfläche zu verhindern.
- Waschen Sie den Gerätekörper nicht mit Wasser oder Wasserstrahl. Waschen mit Wasser kann zu Leckagen führen, was das Risiko eines elektrischen Schlags erhöht.
- Das Gerät nicht reinigen oder lagern, bis es vollständig abgekühlt ist.
- Bewegen Sie die Appliance nicht während des Betriebs. Ziehen Sie das Gerät beim Bewegen ab und halten Sie es an der Unterseite fest.
- Betreiben Sie das Gerät nicht ohne Inhalt, um eine Überhitzung zu vermeiden.
- Betreiben Sie das Gerät niemals ohne montierten Deckel und Drehteller.
- Das Gerät besitzt keine spülmaschinenfesten Teile.



Verwendungszweck

- Dieses Gerät ist für den professionellen Einsatz bestimmt und kann nur von qualifiziertem Personal betrieben werden.
- Dieses Gerät ist nur zum Schälen von Kartoffeln im gewerblichen Bereich bestimmt. Jede andere

Verwendung kann zu Schäden am Gerät oder zu Personenschäden führen.

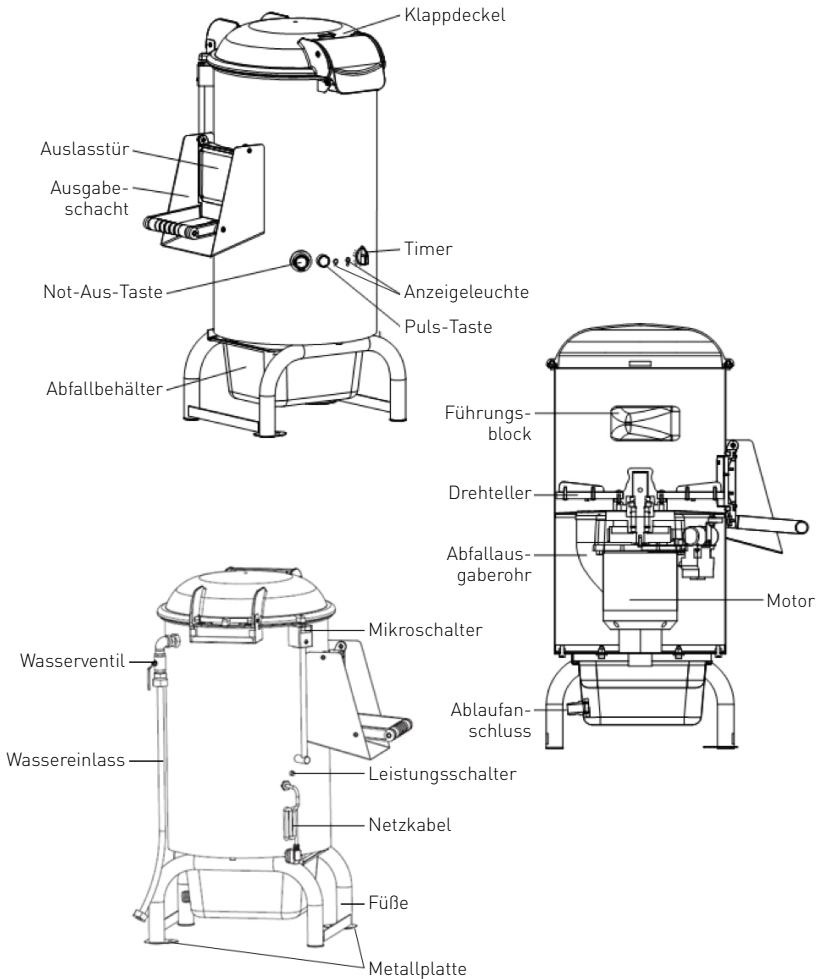
- Der Betrieb des Geräts für andere Zwecke gilt als Missbrauch des Geräts. Der Nutzer haftet allein für unsachgemäße Verwendung des Geräts.

Erdungsinstallation

Dieses Gerät ist als **Schutzklasse I** eingestuft und muss mit einer Schutzerde verbunden werden. Die Erdung reduziert das Risiko eines elektrischen Schlags, indem ein Fluchtkabel für den elektrischen Strom bereitgestellt wird. Dieses Gerät ist

mit einem Netzkabel mit einem Erdungskabel und einem geerdeten Stecker ausgestattet. Der Stecker muss in eine Steckdose gesteckt werden, die ordnungsgemäß installiert und geerdet ist.

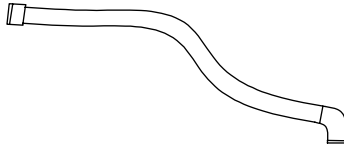
Produktbeschreibung



Zubehör



Dehnschraube

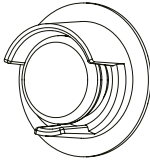


Ablaufschlauch
(Abfallbehälter)



Schlauchschnelle

Bedienfeld



1



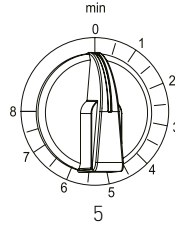
2



3



4



5

1) Not-Aus-Taste

- Drücken Sie im Notfall (z. B. Blockade, ungewöhnliche Vibrationen oder Geräusche usw.) sofort die Taste. Das Gerät stoppt. Alle anderen Tasten / Schalter sind bis zum Zurücksetzen der Not-Aus-Taste deaktiviert.

Hinweis: Um die Not-Aus-Taste zurückzusetzen, drehen Sie sie im Uhrzeigersinn, bis sie in die Ausgangsposition herauspringt.

2) Puls-Taste

- Verwenden Sie diese Taste zum Auswerfen der geschälten Kartoffeln.

Hinweis: Drücken Sie die Puls-Taste nicht während des Schälvorgangs.

3) Stromanzeige

- Die Anzeige leuchtet, wenn das Gerät an das Stromnetz angeschlossen und eingeschaltet ist.

4) Betriebsanzeige

- Die Anzeige leuchtet, während der Motor läuft.

5) Timer-Drehknopf

- Drehen Sie den Timer-Knopf auf die gewünschte Betriebszeit (0-8 Minuten), um das Gerät zu starten.

Vorbereitungen vor der Installation

- Entfernen Sie alle Schutzverpackungen und Verpackungen.
- Überprüfen Sie die Transportschäden des Geräts. Stellen Sie sicher, dass alle Teile geliefert werden. Bei unvollständiger Lieferung (z.B. Ablaufschlauch, schlauchschnelle, dehnschraube) oder Beschädigung wenden Sie sich umgehend an den Lieferanten. Verwenden Sie die Appliance NICHT. (Siehe; Garantie).

- Reinigen Sie das Gerät vor Gebrauch (siehe; Reinigung und Wartung).
- Stellen Sie sicher, dass das Gerät vollständig trocken ist.
- Bewahren Sie die Verpackung auf, wenn Sie Ihr Gerät in Zukunft lagern wollen.

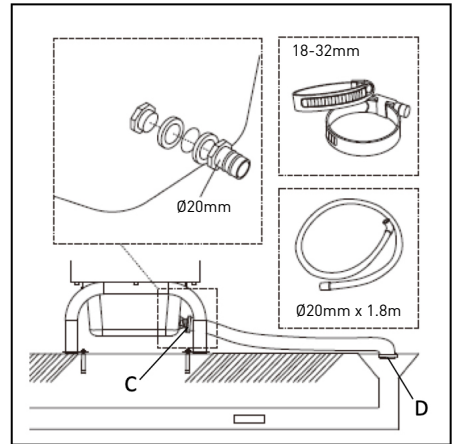
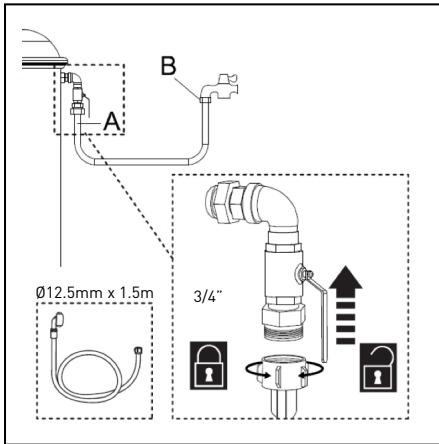
DE



Installation

- Stellen Sie sicher, dass sich die Maschine in einem trockenen Bereich befindet und die Oberfläche eben ist und über ausreichende Festigkeit verfügt, um die Maschine zu stützen.
- Stellen Sie sicher, dass die Stromversorgung mit dem Kennzeichen auf der Maschine übereinstimmt.
- Stellen Sie sicher, dass es keine Hindernisse in der Nähe gibt.
- **VORSICHT!** Vermeiden Sie niemals Sicherheits-schlösser und Schalter am Gerät.
- Stellen Sie sicher, dass die Dehnschrauben (mitgeliefert) an den Metallplatten (an den Füßen) angebracht sind, um das Gerät zu befestigen.
- In jedem Fall sollte die Installation unter Berücksichtigung der geltenden Arbeitsschutzbestimmungen erfolgen.

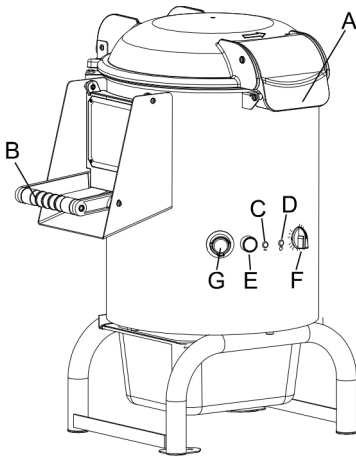
Anschluss an das Wasserversorgungs- und Abwassersystem



- 1) Schließen Sie das Gerät mit dem mitgelieferten Schlauch (Ø12,5 mm x 150 cm) und 3/4"-Kupplungen an die Wasserversorgung an. Gehen Sie wie folgt vor:
 - I. Verbinden Sie den Schlauch mit dem Einlass an der Rückseite des Geräts (Position A).
 - II. Verbinden Sie das andere Ende des Schlauchs mit der Wasserversorgung (Position B).
 - III. Das Gerät enthält ein Wasserventil zur bequemen Steuerung des Wasserflusses.
- 2) Schließen Sie das Gerät mit dem mitgelieferten Schlauch (Ø25 mm x 180 cm) und Schlauchschellen an das Abwassersystem an. Gehen Sie wie folgt vor:
 - I. Stecken Sie die Schlauchschellen auf den Schlauch.
 - II. Schließen Sie den Schlauch an den Anschluss des Abfallbehälters (Position C) an und befestigen Sie ihn mit den Schlauchschellen.
 - III. Das andere Ende des Ablaufschlauchs wird in das Abflusssystem (Position D) eingeführt.

Betrieb

Achtung: Dieses Gerät verfügt über ein Sicherheitssystem, das den Betrieb verhindert, wenn der Deckel nicht richtig aufgesetzt ist.



- 1) Öffnen Sie den transparenten Deckel, indem Sie den Griff A ziehen, bis er ausrastet.
- 2) Setzen Sie den Drehteller ein und befüllen Sie den Tank mit dem zu verarbeitenden Produkt.
- 3) Verriegeln Sie den Deckel und vergewissern Sie sich, dass die Auslasstür B verriegelt ist.
- 4) Schließen Sie die Wasserversorgung an und schalten Sie das Wasserventil ein. Stellen Sie sicher, dass Wasser einströmt. (siehe „Anschluss an das Wasserversorgungs- und Abwassersystem“).
- 5) Schalten Sie die Netzspannung ein. Die Stromanzeige C leuchtet auf.
- 6) Starten Sie das Gerät, indem Sie den Timer F auf die gewünschte Arbeitszykluszeitlänge drehen, die Betriebsanzeige D leuchtet auf.

7) Wenn die eingestellte Zeit erreicht ist, stoppt das Gerät automatisch und die Betriebsanzeige erlischt.

- 8) Öffnen Sie die Auslasstür B, nachdem Sie einen Behälter vorbereitet haben. Drücken Sie dann die Puls-Taste E, um die Scheibe zu drehen. Halten Sie in der Zwischenzeit die Auslasstür fest, bis alle Kartoffeln ausgegeben worden sind.
GEFAHR – VORSICHT: Stecken Sie niemals Ihre Hand in die Auslasstür. Sollte es zu einem Unfall kommen, drücken Sie bitte sofort die Not-Aus-Taste.

WARNUNG! Das Gerät sollte nicht ohne Last betrieben werden.

HINWEIS: Entfernen Sie die Schälplatte und überprüfen Sie das Abfallausgaberohr für jeden Zyklus auf Verstopfung.

HINWEIS: Das Gerät ist mit zwei Sicherheitsschaltern ausgestattet.

- a) Der Reedschalter ist mit einem Magnetmechanismus ausgestattet. Das Gerät stoppt automatisch, wenn der obere Deckel oder die Auslasstür während des Betriebs geöffnet wird.
- b) Der Überstromschutzschalter (Leistungsschalter) soll den Stromkreis vor Schäden durch Überstrom infolge einer Überlastung oder eines Kurzschlusses schützen. Der Schalter unterbricht den Stromfluss, nachdem ein Fehler erkannt wurde.

Hinweis: Um den Schalter zurückzusetzen, drücken Sie ihn, nachdem das Problem behoben wurde.

DE



Wichtige

- **WARNUNG!** Stecken Sie niemals Ihre Hände in das Gerät, während Sie in Betrieb sind.
- Verwenden Sie keine Gegenstände aus Holz/Metall oder Kunststoff zum Schaben von Zutaten.
- Verwenden Sie niemals gefrorene Kartoffeln.

Reinigung und Wartung

Achtung: Trennen Sie das Gerät immer von der Steckdose und lassen Sie es vor der Reinigung und Lagerung vollständig abkühlen.

Reinigung

- Reinigen Sie das Gerät vor und nach jedem Gebrauch.
- Tauchen Sie das Gerät niemals in Wasser oder andere Flüssigkeiten ein.
- Reinigen Sie die gekühlte Außenfläche mit einem leicht feuchten Tuch oder Schwamm mit einer milden Seifenlösung.
- Achten Sie darauf, den oberen Deckel (inkl. der Dichtung), den Ausgabeschacht und die Behälter zu reinigen. Mit einem weichen trockenen Tuch abtrocknen.
- Öffnen Sie den oberen Deckel und nehmen Sie die Schälplatte aus der Schälkammer. Reinigen Sie die Schälplatte und das Innere der Schälkammer mit einer geeigneten Bürste. Spülen Sie sie anschließend mit klarem Wasser ab.
- Verwenden Sie niemals abrasive Schwämme oder Reinigungsmittel, Stahlwolle oder metallische Utensilien, um die Innen- oder Außenteile des Geräts zu reinigen.
- Wenn sich das Gerät für eine lange Zeit im Leerlauf befindet, achten Sie darauf, das gesamte Metall vor Gebrauch zu schmieren.

Speicher

- Bewahren Sie das Gerät an einem kühlen, sauberen und trockenen Ort auf.
- Wischen Sie das Äußere der Maschine mindestens einmal im Monat mit einem weichen, feuchten Tuch und bei Bedarf mit etwas mildem Reinigungsmittel ab.

Fehlerbehebung

Wenn die Appliance nicht ordnungsgemäß funktioniert, finden Sie in der folgenden Tabelle mögliche Lösungen. Wenn Ihr Problem nicht durch eine dieser Lösungen gelöst wird, wenden Sie sich bitte an den Anbieter/Dienstleister.

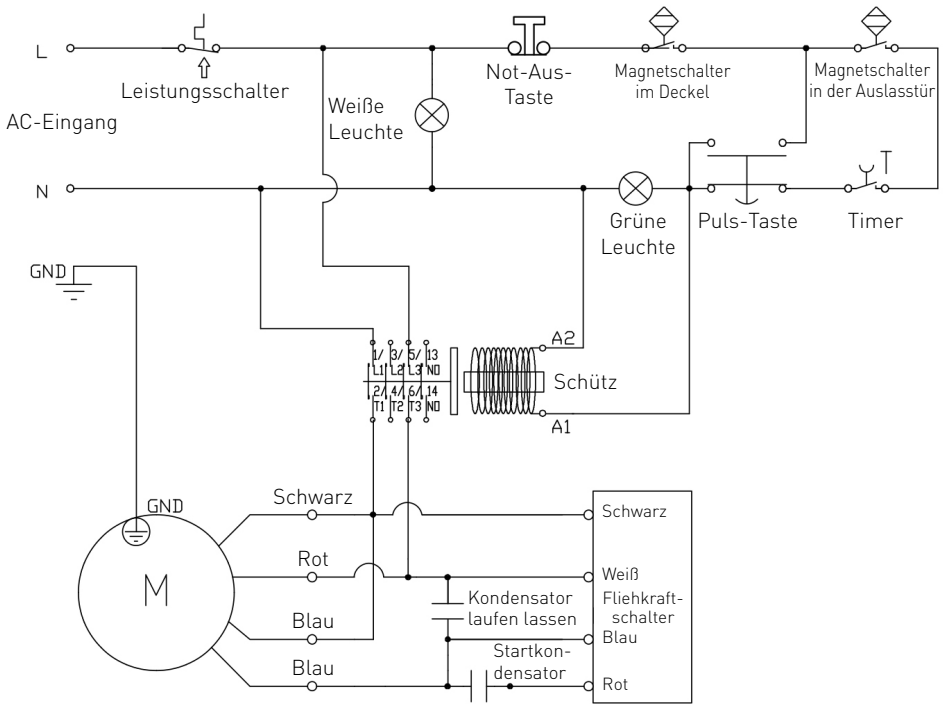
Problem	Lösung
Die Appliance startet nicht	Stellen Sie sicher, dass es angeschlossen ist.
	Stellen Sie sicher, dass der Schutzschalter geschlossen ist.
	Stellen Sie sicher, dass die Not-Aus-Taste nicht ausgelöst wird.
	Wenn das Problem nach einer langen intensiven Nutzung auftritt, kann der Motor überhitzt sein. Warten Sie mindestens 20 Minuten und versuchen Sie es erneut. Wenn Sie das Gerät an einem kühlen Ort stellen, reduziert dies die Wartezeit.

Technische Spezifikation

Artikel-Nr.	229200	229217	229224
Betriebsspannung & Frequenz	230V- 50Hz		
Nenn-Leistungsaufnahme	550W	750W	1100W
Abmessungen	540x622x(h)802mm	540x622x(h)857mm	540x622x(h)997mm
Kapazität	5kg / 12L	10kg / 22L	18kg / 28L
Emissionsschalldruckpegel Klasse A	> 70dB(A)		
Schutzklasse	Klasse I		
Wasserdichte Klasse	IP23		
Nettogewicht	39,2kg	39,6kg	42,4kg

Hinweis: Die technische Spezifikation kann ohne Vorankündigung verändert werden.

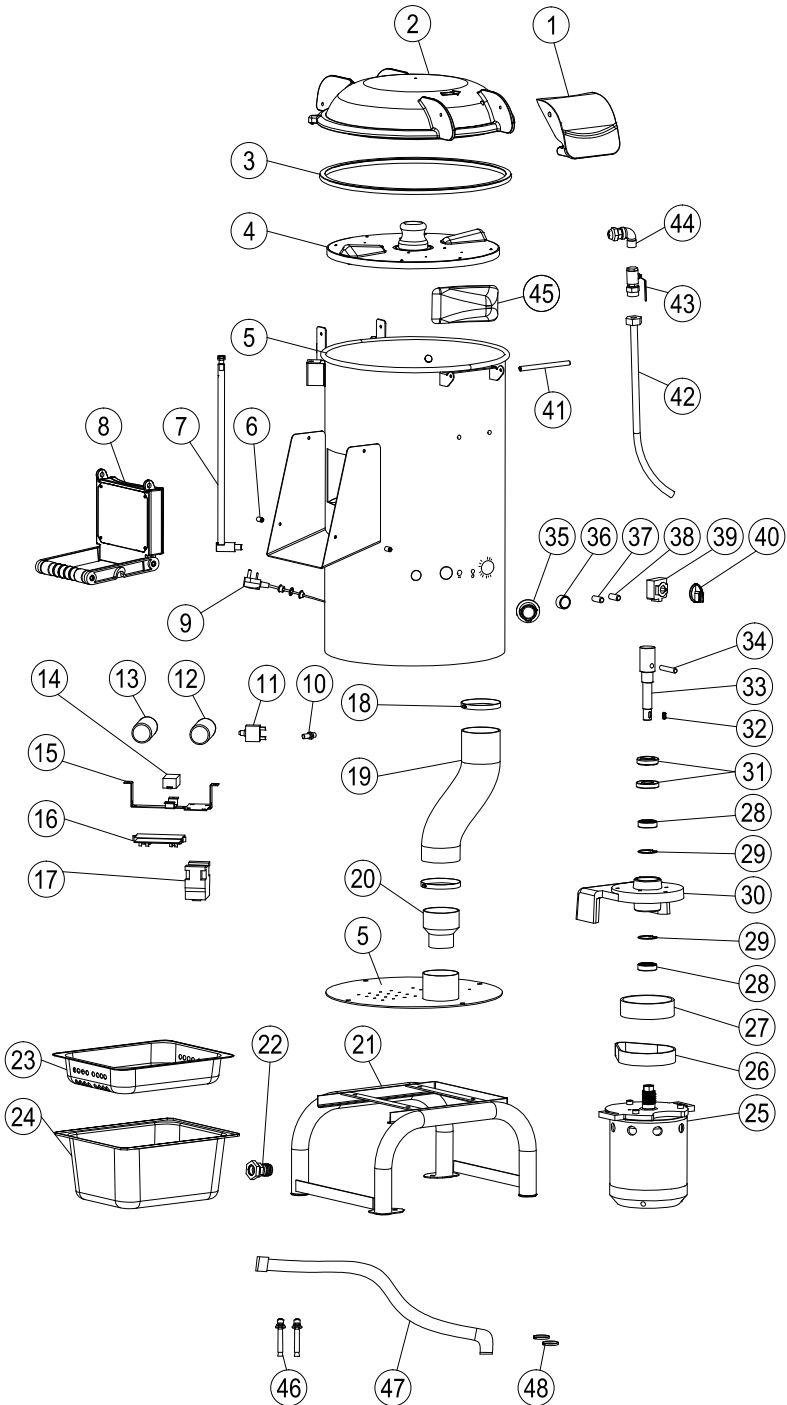
Schaltplan



DE



Explosionszeichnung und Teilleiste



DE

Nr. des Teiles	Bezeichnung des Teiles	Nr. des Teiles	Bezeichnung des Teiles
1	Verriegelungsplatte	25	Motor
2	Klappdeckel	26	Riemen
3	Dichtring	27	Riemenrad
4	Schälplatte	28	6004 Lager
5	S/S-Zylinder	29	C-Sperrring
6	Stift	30	Motorbefestigungsplatte
7	Kabelführung	31	Dichtring
8	Auslasstür	32	Flachschlüssel
9	Netzkabel	33	Abtriebswelle
10	Mikroschalter	34	Stift zur Fixierung
11	Leistungsschalter	35	Not-Aus-Taste
12	Kondensator laufen lassen	36	Puls-Taste
13	150uF Starttaste	37	Weißleuchte
14	Fliehkraftschalter	38	Grüne Leuchte
15	Platinenhalter	39	Timer
16	PCB-Panel	40	Timer-Drehknopf
17	Schütz	41	Bajonettstift
18	Schlauchschele	42	Schlauch
19	Abfallausgaberohr	43	Wasserventil
20	Druckrohrkopplung	44	Anschluss (Typ L)
21	Halterung	45	Führungsblock
22	Ablaufanschluss	46	Dehnschraube
23	Siebbecken	47	Ablaufschlauch (Abfallbehälter)
24	Abfallbehälter	48	Schlauchschele



Garantie

Alle innerhalb von einem Jahr nach dem Kaufdatum festgestellten Defekte oder Mängel, die die Funktionalität des Gerätes beeinträchtigen, werden auf dem Wege der unentgeltlichen Reparatur bzw. des Austausches unter der Voraussetzung beseitigt, dass das Gerät in einer der Bedienungsanleitung gemäßen Art und Weise betrieben und gewartet wird und weder vorsätzlich vernichtet noch nicht bestimmungsgemäß genutzt wurde. Ihre Rechte aus den entsprechenden Gesetzen bleiben davon

unberührt. Eine in der Garantiefrist einzureichende Beanstandung hat die Angabe des Kaufortes und Kaufdatums und in der Anlage einen Kaufbeleg (z.B. Kassenzettel) zu enthalten.

Gemäß unserer Politik der ständigen Weiterentwicklung unserer Produkte behalten wir uns vor, Änderungen am Produkt, an seiner Verpackung und an den dokumentierten technischen Daten ohne vorherige Ankündigung vorzunehmen.

Entsorgung und Umweltschutz

Wird das Gerät außer Betrieb genommen, darf es nicht über den Hausmüll entsorgt werden. Der Benutzer ist für die Übergabe des Gerätes an eine geeignete Sammelstelle für Altgeräte verantwortlich. Die Nichteinhaltung dieser Regel kann gemäß den geltenden Vorschriften über die Abfallentsorgung bestraft werden. Die getrennte Sammlung und das Recycling der Altgeräte trägt zur Schonung der natürlichen Ressourcen bei und sorgt für eine umwelt- und gesundheitsschonende Verwertungsweise.

Weitere Informationen darüber, wo Sie Ihre Altgeräte entsorgen können, erhalten Sie bei Ihrem örtlichen Entsorgungsunternehmen. Der Hersteller und der Importeur übernehmen keine Verantwortung für das Recycling sowie die umweltfreundliche Verwertung von Abfällen, weder direkt noch über ein öffentliches System.

Geachte klant,

Bedankt voor de aanschaf van dit Hendi apparaat. Lees deze handleiding zorgvuldig door, met bijzondere aandacht voor de onderstaande veiligheidsvoorschriften, voordat u dit apparaat voor de eerste keer installeert en gebruikt.

Veiligheidsvoorschriften

- Dit apparaat is niet bedoeld voor huishoudelijk gebruik.
- Gebruik het apparaat alleen voor het beoogde doel waarvoor het is ontworpen, zoals beschreven in deze handleiding.
- De fabrikant is niet aansprakelijk voor enige schade veroorzaakt door onjuist gebruik en onjuist gebruik.
- Houd het apparaat en de stekker uit de buurt van water en andere vloeistoffen. Als het apparaat in water valt, haal dan onmiddellijk de stekker uit het stopcontact. Gebruik het apparaat niet totdat het is gecontroleerd door een gecertificeerde technicus. Het niet volgen van deze instructies zal levensbedreigende risico's veroorzaken.
- Probeer nooit de behuizing van het apparaat zelf te openen.
- Plaats geen objecten in de behuizing van het apparaat.
- Raak de stekker niet aan met natte of vochtige handen.
- ⚠ **Gevaar voor een elektrische schok!** Probeer het apparaat niet zelf te repareren, reparaties mogen alleen worden uitgevoerd door gekwalificeerd personeel.
- **Gebruik nooit een beschadigd apparaat!** Wanneer het apparaat beschadigd is, koppelt u het apparaat los van het stopcontact en neemt u contact op met de detailhandelaar.
- **Waarschuwing!** Dompel de elektrische onderdelen van het apparaat niet onder in water of andere vloeistoffen.
- Houd het apparaat nooit onder stromend water.
- Controleer regelmatig de stekker en het snoer op eventuele schade. Bij beschadiging moet het worden vervangen door een serviceagent of een gelijkwaardig gekwalificeerd persoon om gevaar of letsel te voorkomen.
- Zorg ervoor dat het snoer niet in contact komt met scherpe of hete voorwerpen en houd het uit de buurt van open vuur. Trek nooit aan het netsnoer om het uit het stopcontact te halen, trek altijd aan de stekker.
- Zorg ervoor dat het netsnoer en/of het verlengsnoer geen struikelgevaar veroorzaken.
- Laat het apparaat nooit onbeheerd achter tijdens het gebruik.
- **Waarschuwing!** Als u de stekker in het stopcontact zit, is het apparaat aangesloten op de stroombron.
- Schakel het toestel uit voordat u het uit het stopcontact haalt.
- Sluit de stekker aan op een gemakkelijk toegankelijk stopcontact, zodat het apparaat in geval van nood onmiddellijk kan worden losgekoppeld.
- Draag het apparaat nooit bij het snoer.
- Gebruik geen extra apparaten die niet samen met het apparaat worden geleverd.
- Sluit het apparaat alleen aan op een stopcontact met de spanning en frequentie vermeld op het etiket van het apparaat.

NL



- Gebruik nooit andere accessoires dan die welke door de fabrikant worden aanbevolen. Als u dit niet doet, kan dit een veiligheidsrisico vormen voor de gebruiker en kan het apparaat beschadigen. Gebruik alleen originele onderdelen en accessoires.
- Dit apparaat mag niet worden gebruikt door personen met verminderde fysieke, zintuiglijke of mentale vermogens, of personen met een gebrek aan ervaring en kennis.
- Dit apparaat mag in geen geval door kinderen worden gebruikt.
- Houd het apparaat en het netsnoer buiten het bereik van kinderen.
- **WAARSCHUWING:** schakel het apparaat ALTIJD uit en haal de stekker uit het stopcontact voor reiniging, onderhoud of opslag.

Bijzondere veiligheidsvoorschriften

- Dit apparaat mag alleen door opgeleid personeel worden gebruikt.
- Plaats het apparaat niet op een warmtebron (benzine, elektrisch, houtskoolfornuis, enz.) Houd het apparaat uit de buurt van hete oppervlakken en open vuur.
- Gebruik het apparaat niet in de buurt van explosieve of brandbare materialen, creditcards, magnetische schijven of radio's.
- Bedien het apparaat altijd op een vlak, stabiel, schoon, hittebestendig en droog oppervlak.
- Bedien dit apparaat niet met behulp van een externe timer of afstandsbediening.
- Nooit veiligheidssloten en schakelaars van het apparaat omzeilen.
- **WAARSCHUWING:** Houd alle ventilatieopeningen in het apparaat vrij van obstructie.
- **WAARSCHUWING:** Houd altijd handen, haar en kleding uit de buurt van de bewegende delen.
- Laat ten minste 15 cm ruimte rond het apparaat tijdens gebruik voor ventilatiedoeleinden.
- **Voorzichtig!** Breng het netsnoer op een veilige manier om onbedoeld trekken of contact met het verwarmingsoppervlak te voorkomen.
- Was het lichaam van het apparaat niet met water of een waterstraal. Wassen met water kan lekkage veroorzaken, waardoor het risico op elektrische schokken toeneemt.
- Reinig of bewaar het apparaat niet totdat het volledig is afgekoeld.
- Verplaats het toestel niet terwijl het in bedrijf is. Koppel het apparaat los tijdens het verplaatsen en houd het aan de onderkant vast.
- Bedien het apparaat niet zonder inhoud om oververhitting te voorkomen.
- Gebruik het apparaat nooit zonder dat het deksel en de roterende plaat geïnstalleerd zijn.
- Er zijn geen onderdelen vaatwasserbestendig.

Bedoeld gebruik

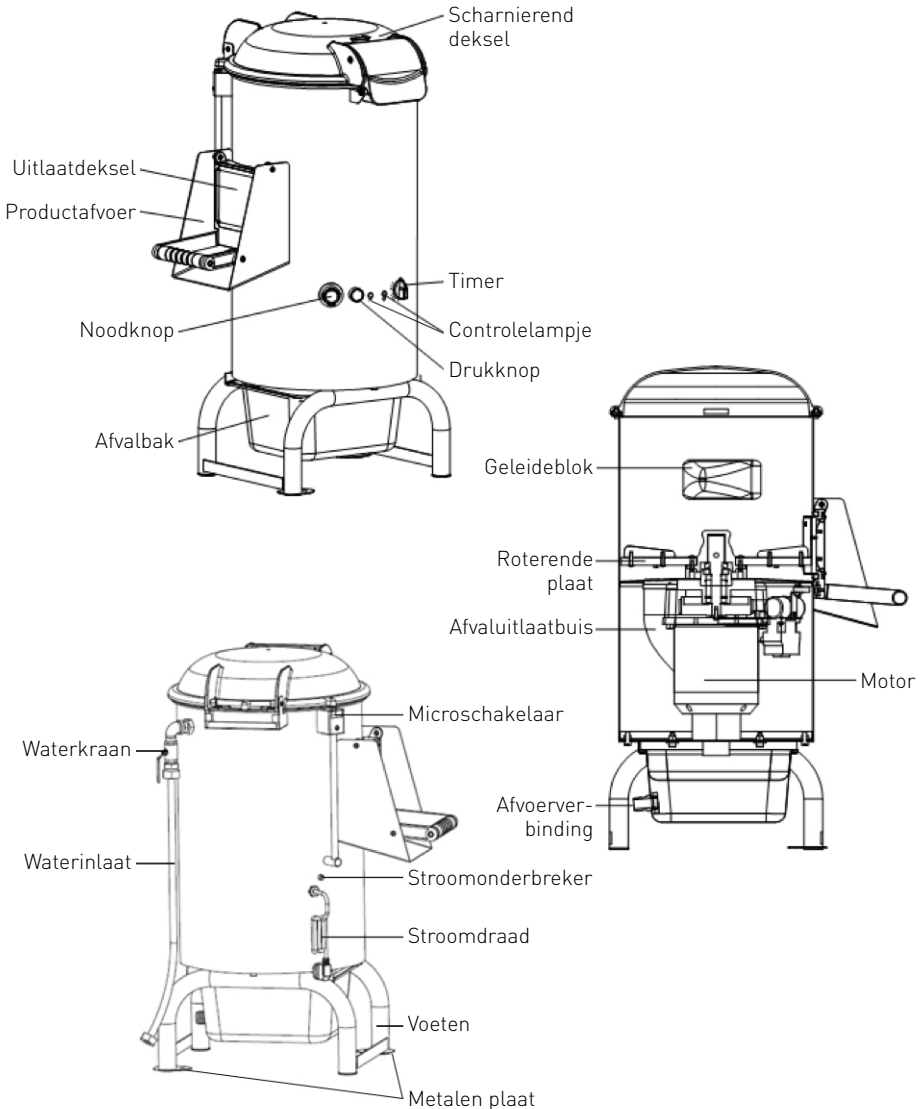
- Dit apparaat is bedoeld voor professioneel gebruik en kan alleen door gekwalificeerd personeel worden gebruikt.
- Dit apparaat is uitsluitend bestemd om aardappelen voor commercieel gebruik te schillen. Elk ander gebruik kan leiden tot schade aan het apparaat of persoonlijk letsel.
- Het gebruik van het apparaat voor een ander doel wordt beschouwd als misbruik van het hulpmiddel. De gebruiker is uitsluitend aansprakelijk voor oneigenlijk gebruik van het apparaat.

Aarding installatie

Dit apparaat is geclassificeerd als **beschermingsklasse I** en moet op een beschermende grond worden aangesloten. Aarding vermindert het risico op elektrische schokken door een ontsnapingsdraad voor de elektrische stroom aan te bieden. Dit ap-

paraat is uitgerust met een netsnoer met een aardingsdraad en geaarde stekker. De stekker moet worden aangesloten op een stopcontact dat correct is geïnstalleerd en geaard.

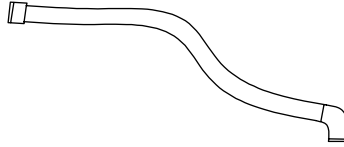
Beschrijving van het product



Accessoires



Expansiebout

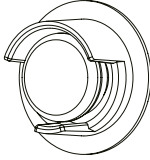


Afvoerslang
(afvalbak)



Slangklem

Configuratiescherm



1



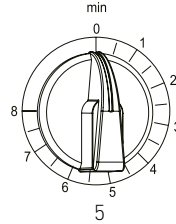
2



3



4



3) Controlelampje Aan/uit

1) Noodknop

- In geval van nood (bijv. verstopping, abnormale trillingen of geluid enz.) drukt u onmiddellijk op de knop. Het apparaat stopt. Alle andere knoppen/schakelaars worden uitgeschakeld tot de noodknop opnieuw wordt ingedrukt.

Opmerking: Om de noodknop te resetten, draait u deze naar rechts, totdat hij in de uitgangspositie naar buiten springt.

4) Controlelampje In werking

- Het controlelampje brandt wanneer de motor in werking is.

2) Drukknop

- Gebruik deze om de geschildte aardappelen te verwijderen.

Opmerking: Druk niet op de drukknop tijdens het schillen.

5) Timerknop

- Draai de timerknop op de gewenste bedrijfstijd (0-8 minuten) om het apparaat te starten.

Vorbereidingen voor installatie

- Verwijder alle beschermende verpakkingen en verpakking.
- Controleer de transportschade van het apparaat. Zorg ervoor dat alle onderdelen worden meegeleverd. In geval van onvolledige levering (bijv. afvoerslang, slangklem, expansiebout) of schade, neem dan onmiddellijk contact op met leverancier. Gebruik het toestel NIET. (Zie; Garantie).

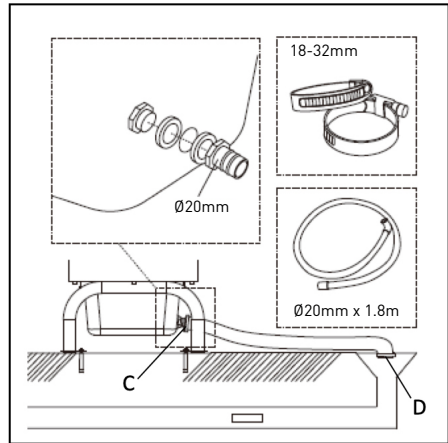
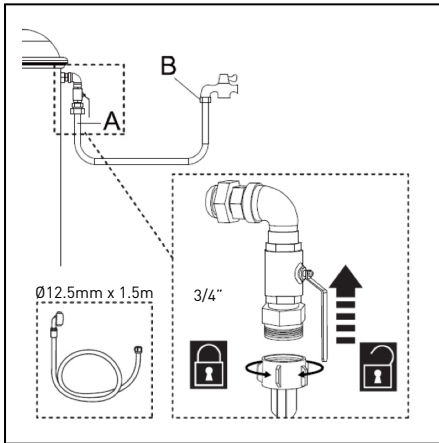
- Reinig het apparaat voor gebruik (zie; Reiniging en onderhoud).
- Zorg ervoor dat het apparaat volledig droog is.
- Bewaar de verpakking als u uw apparaat in de toekomst wilt opbergen.

Installatie

- Zorg ervoor dat de machine in een droge ruimte wordt geplaatst en dat het oppervlak waterpas is en voldoende sterkte heeft om de machine te ondersteunen.
- Zorg ervoor dat de elektrische voeding overeenkomt met het classificatielabel op de machine.
- Zorg ervoor dat er geen obstakels in de buurt zijn.

- **VOORZICHTIGHEID!** Nooit veiligheidssloten en schakelaars van het apparaat omzeilen.
- Let erop dat de expansiebouten (meegeleverd) op de metalen platen (op de poten) zijn geïnstalleerd om het apparaat vast te zetten.
- Bij de installatie moet in ieder geval rekening worden gehouden met de geldende industriële veiligheidsvoorschriften.

Aansluiting op waterleiding en afvoer



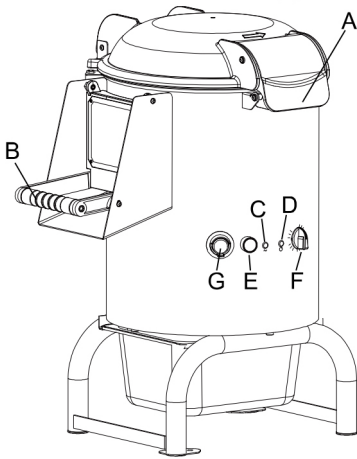
- 1) Aansluiten op de waterleiding door middel van de meegeleverde slang ($\text{\O}12,5\text{mm} \times 150\text{cm}$) en $3/4$ " koppelingen. Ga als volgt te werk:
 - I. Sluit de slang aan de achterkant van de machine (Locatie A) aan op de inlaat.
 - II. Sluit het andere uiteinde van de slang aan op de waterleiding (Locatie B).
 - III. Het apparaat bevat een waterkraan om de waterleiding gemakkelijk te kunnen regelen.

- 2) Aansluiten op het afvoersysteem met behulp van de meegeleverde slang ($\text{\O}25\text{mm} \times 180\text{cm}$) en slangklemmen. Ga als volgt te werk:
 - I. Zet de slangklemmen op de slang.
 - II. Sluit de slang aan op de aansluiting van de afvalbak (Locatie C) en bevestig met de slangklemmen.
 - III. Het andere uiteinde van de afvoerslang wordt in het afvoersysteem gebracht (Locatie D).



Operatie

Let op: Dit apparaat is voorzien van een veiligheidssysteem dat ervoor zorgt dat het apparaat niet wordt ingeschakeld als het deksel niet correct geplaatst is.



- 1) Open het doorzichtige deksel door aan de hendel A te trekken totdat het openklikt.
- 2) Plaats de roterende plaat en doe het te verwerken product in het reservoir.
- 3) Vergrendel het deksel en zorg ervoor dat de uitlaatklep B vergrendeld is.
- 4) Sluit de waterleiding aan en schakel de waterkraan in. Zorg ervoor dat er water instroomt. (zie "Aansluiting op waterleiding en afvoer").
- 5) Schakel de netspanning in. Het controlelampje Aan/uit C gaat branden.
- 6) Start de machine door de timer F op de gewenste tijdsduur van de cyclus te zetten, het controlelampje In werking D gaat branden.

7) Als de ingestelde tijd bereikt is, stopt de machine automatisch en gaat het controlelampje uit.

8) Open de uitlaatklep B na het voorbereiden van een container. Druk vervolgens op de drukknop E om de schijf te laten draaien. Houd ondertussen de uitlaatklep vast totdat alle aardappelen eruit zijn.

GEVAAR - LET OP: Steek nooit uw hand in de uitlaatklep. Als er een ongeluk gebeurt, druk dan onmiddellijk op de noodknop.

WAARSCHUWING! Het apparaat mag niet onbelast worden gebruikt.

OPMERKING: Verwijder de schilplaat en controleer de afvoerbuis voor elke cyclus op verstopping.

OPMERKING: Het apparaat is uitgerust met twee veiligheidsschakelaars.

a) De reed-schakelaar is voorzien van een magneetmechanisme. Het apparaat stopt automatisch wanneer het bovenste deksel of het uitlaatkapsel tijdens de werking wordt geopend.

b) De overstroombeveiligingsschakelaar (stroomonderbreker) is ontworpen om het elektrische circuit te beschermen tegen schade veroorzaakt door een te hoge stroomsterkte als gevolg van overbelasting of kortsluiting. De schakelaar onderbreekt de stroomtoevoer nadat een storing is gedetecteerd.

Opmerking: Om de schakelaar te resetten, drukt u deze in nadat het probleem is opgelost

Belangrijk

• **Waarschuwing!** Steek nooit uw handen in het apparaat terwijl u in gebruik bent.

- Gebruik geen houten/metalen of plastic voorwerpen om producten te schillen.
- Gebruik nooit bevroren aardappelen.

Reiniging en onderhoud

Let op: haal het apparaat altijd uit het stopcontact en laat het volledig afkoelen voordat het wordt schoongemaakt en opgeborgen.

Schoonmaken

- Maak het apparaat voor en na elk gebruik schoon.
- Dompel het apparaat nooit onder in water of andere vloeistoffen.
- Reinig het gekoelde buitenoppervlak met een licht vochtige doek of spons met een milde zeeoplossing.
- Zorg ervoor dat u het bovenste deksel (incl. de pakking), de productafvoer en de bakken schoonmaakt. Droog af met een zachte droge doek.
- Open het bovendeksel en verwijder de schilplaat uit de schilkamer. Reinig de schilplaat en de binnenkant van de schilkamer met een geschikte borstel. Spoel daarna met schoon water.
- Gebruik nooit schuurspunzen of reinigingsmiddelen, staalwol of metalen gebruiksvorwerpen om de binnen- of buitendelen van het apparaat te reinigen.
- Als het apparaat lange tijd inactief is, moet u voor gebruik al het metaal smeren.

Opslag

- Bewaar het apparaat op een koele, schone en droge plaats.
- Veeg de buitenkant van het apparaat ten minste eenmaal per maand schoon met een zachte vochtige doek en, indien nodig, een beetje zacht afwasmiddel.

Problemen oplossen

Als het apparaat niet goed functioneert, controleert u de onderstaande tabel voor mogelijke oplossingen. Als uw probleem niet is opgelost door een van

deze oplossingen, neem dan contact op met de leverancier/serviceprovider

Probleem	Oplossing
Het toestel start niet	Zorg ervoor dat de stekker is aangesloten.
	Zorg ervoor dat de veiligheidsstroomonderbreker gesloten is.
	Zorg ervoor dat de noodknop niet wordt ingeschakeld.
	Als het probleem optreedt na een lange periode van intensief gebruik, kan de motor oververhit zijn. Wacht minstens 20 minuten en probeer het opnieuw. Als u het apparaat op een koele plaats plaatst, verkort dit de wachttijd.

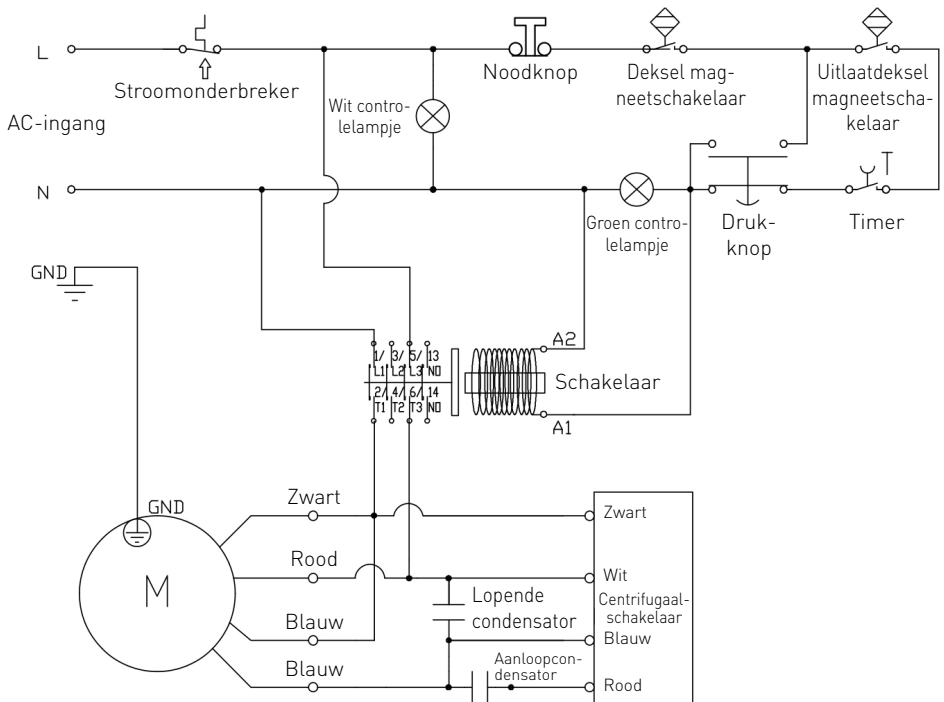


Technische specificaties

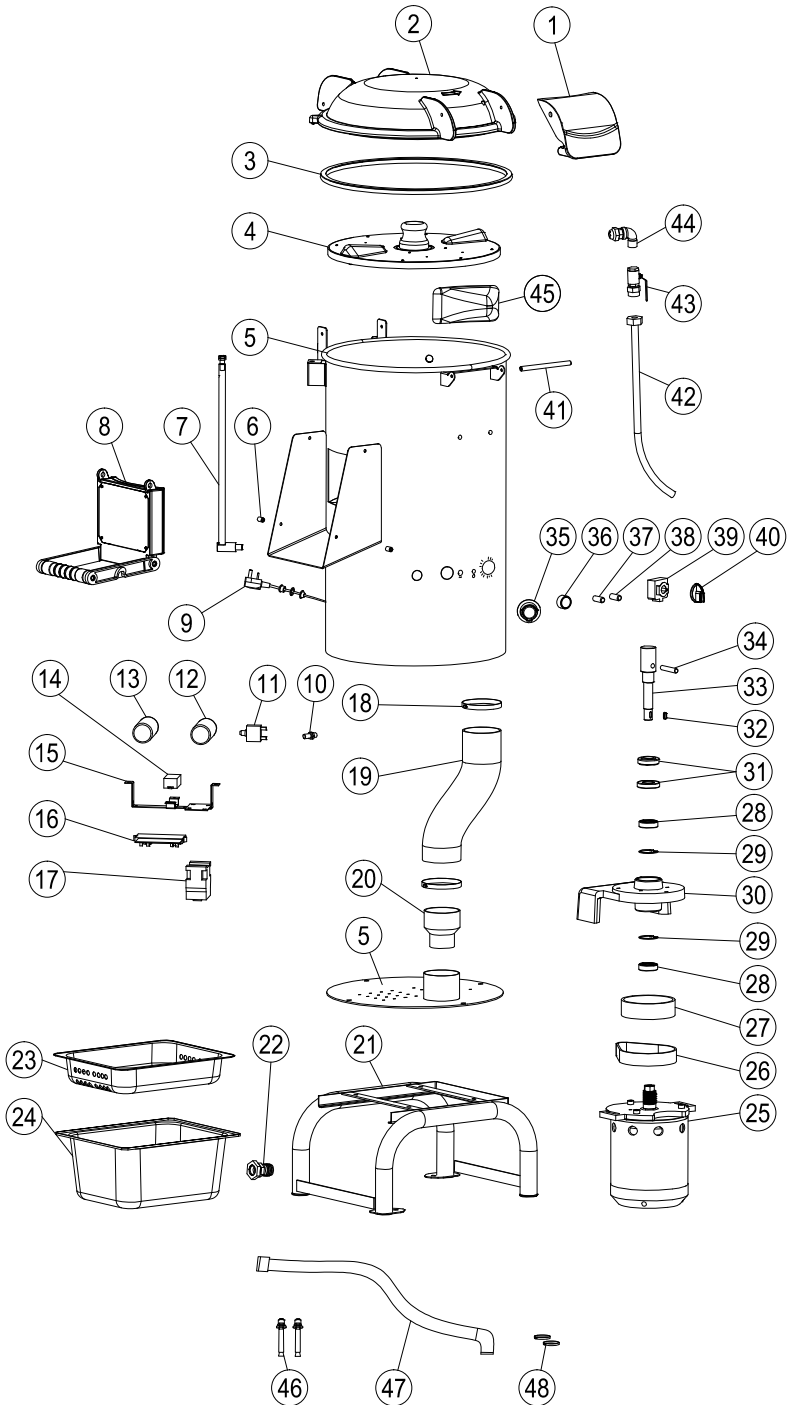
Object nr.	229200	229217	229224
Bedrijfsspanning & frequentie	230V- 50Hz		
Nominaal stroomverbruik	550W	750W	1100W
Afmetingen	540x622x(h)802mm	540x622x(h)857mm	540x622x(h)997mm
Capaciteit	5kg / 12L	10kg / 22L	18kg / 28L
dB (A) geluidsdrukkniveau	> 70dB(A)		
Bescherming klasse	Klasse I		
Waterdichte klasse	IP23		
Netto gewicht	39,2kg	39,6kg	42,4kg

Opmerking: Technische specificaties onderhevig aan verandering zonder voorafgaande kennisgeving.

Schakelschema



Explosietekening en onderdelenlijst



Onder-deel nr.	Naam onderdeel	Onder-deel nr.	Naam onderdeel
1	Borgplaat	25	Motor
2	Scharnierend deksel	26	Riem
3	Afdichtring	27	Riemwiel
4	Schuurschijf	28	6004 Lager
5	S/S cilinder	29	C-type borgring
6	Uitstekende pin	30	Motorbevestigingsplaat
7	Draadbus	31	Afdichtring
8	Uitlaatdeksel	32	Vlakspie
9	Stroomdraad	33	Uitgangsas
10	Microschakelaar	34	Pin met vaste positie
11	Stroomonderbreker	35	Noodknop
12	Lopende condensator	36	Drukknop
13	150uF aanloopcondensator	37	Wit controlelampje
14	Centrifugaalschakelaar	38	Groen controlelampje
15	Beugel van PCB	39	Timer
16	PCB-paneel	40	Timerknop
17	Schakelaar	41	Bajonetpin
18	Slangklem	42	Slang
19	Afvaluitlaatbuis	43	Waterkraan
20	Koppeling voor ontlastleiding	44	L-type connector
21	Steunbeugel	45	Geleideblok
22	Afvoerverbinding	46	Expansiebout
23	Zeefbak	47	Afvoerslang (afvalbak)
24	Afvalbak	48	Slangklem

Garantie

Elk defect waardoor de werking van het apparaat nadelig wordt beïnvloed dat zich binnen één jaar na aankoop van het apparaat voordoet, wordt gratis hersteld door reparatie of vervanging, mits het apparaat conform de instructies is gebruikt en onderhouden en niet op enigerlei wijze verkeerd is behandeld of misbruikt. Dit laat onverlet uw bij wet bepaalde rechten. Als de garantie van kracht is, vermeld dan waar en wanneer u het apparaat

hebt gekocht en sluit een aankoopbewijs bij (bijv. kassabon of factuur).

Gezien ons streven naar voortdurende verdere productontwikkeling behouden wij ons het recht voor, zonder voorafgaande kennisgeving wijzigingen aan te brengen aan product, verpakking en documentatie.

Verwijdering & milieu

Bij de buitengebruikstelling van het apparaat, mag het niet met het overige huisafval worden verwijderd. In plaats daarvan is het uw verantwoordelijkheid om uw afgedankte apparatuur in te leveren bij een daartoe aangewezen inzamelpunt. Het niet opvolgen van deze regel kan worden bestraft in overeenstemming met de geldende voorschriften voor afvalverwerking. De gescheiden inzameling en recycling van uw afgedankte apparatuur ten tijde van buitengebruikstelling helpt bij de instandhouding van natuurlijke hulpbronnen en waarborgt dat de

apparatuur wordt gerecycled op een manier die de volksgezondheid en het milieu beschermt.


Voor meer informatie over waar u uw afval kunt inleveren voor recycling kunt u contact opnemen met uw lokale afvalverwerkingsbedrijf. De fabrikant en importeurs nemen geen verantwoordelijkheid voor de recycling, behandeling en ecologische verwijdering, hetzij rechtstreeks of via een openbaar systeem.



Drogi Kliencie,

Dziękujemy za zakup tego urządzenia Hendi. Przeczytaj uważnie tę instrukcję, zwracając szczególną uwagę na przepisy bezpieczeństwa przedstawione poniżej, przed zainstalowaniem i używaniem tego urządzenia po raz pierwszy.

Przepisy bezpieczeństwa

- To urządzenie nie jest przeznaczone do użytku domowego.
- Urządzenie należy używać wyłącznie zgodnie z przeznaczeniem, do którego zostało zaprojektowane zgodnie z opisem w niniejszej instrukcji.
- Producent nie ponosi odpowiedzialności za jakiegokolwiek szkody spowodowane nieprawidłowym działaniem i niewłaściwym użyciem.
- Przechowywać urządzenie i wtyczkę elektryczną z dala od wody i innych płynów. W przypadku, gdy urządzenie wpadnie do wody, natychmiast wyjmij wtyczkę zasilającą z gniazda. Nie używać urządzenia, dopóki nie zostanie sprawdzone przez certyfikowanego technika. Nieprzestrzeganie tych instrukcji spowoduje zagrożenie dla życia.
- Nigdy nie próbuj samodzielnie otwierać obudowy urządzenia.
- Nie wkładaj przedmiotów do obudowy urządzenia.
- Nie dotykać wtyczki mokrymi lub wilgotnymi dłońmi.
-  **Niebezpieczeństwo porażenia prądem!** Nie próbuj samodzielnie naprawiać urządzenia, naprawy mogą być wykonywane wyłącznie przez wykwalifikowany personel..
- **Nigdy nie używaj uszkodzonego urządzenia!** Po uszkodzeniu odłącz urządzenie od gniazda i skontaktuj się ze sprzedawcą.
- **Ostrzeżenie!** Nie zanurzaj części elektrycznych urządzenia w wodzie lub innych płynach.
- Nigdy nie trzymaj urządzenia pod bieżącą wodą.
- Regularnie sprawdzaj wtyczkę zasilającą i przewód pod kątem uszkodzeń. W przypadku uszkodzenia musi zostać zastąpiony przez agenta serwisowego lub podobnie wykwalifikowaną osobę w celu uniknięcia niebezpieczeństwa lub obrażeń.
- Upewnij się, że przewód nie styka się z ostrymi lub gorącymi przedmiotami i trzymaj go z dala od otwartego ognia. Nigdy nie pociągaj za przewód zasilający, aby odłączyć go od gniazda, zawsze za wtyczkę.
- Upewnij się, że przewód zasilający i/lub przedłużacz nie powodują zagrożenia przejazdem.
- Nigdy nie pozostawiaj urządzenia bez nadzoru podczas użytkowania.
- **Ostrzeżenie!** Dopóki wtyczka znajduje się w gnieździe, urządzenie jest podłączone do źródła zasilania.
- Wyłącz urządzenie przed odłączeniem go od gniazda.
- Podłącz wtyczkę do łatwo dostępnego gniazdka elektrycznego, aby w nagłych wypadkach urządzenie mogło zostać natychmiast odłączone.
- Nigdy nie noś urządzenia za przewód.
- Nie należy używać żadnych dodatkowych urządzeń, które nie są dostarczane razem z urządzeniem.
- Podłącz urządzenie tylko do gniazdka elektrycznego z napięciem i częstotliwością

PL



wymienioną na etykiecie urządzenia.

- Nigdy nie używaj akcesoriów innych niż zalecane przez producenta. Niezastosowanie się do tego może stanowić zagrożenie dla bezpieczeństwa użytkownika i spowodować uszkodzenie urządzenia. Używaj tylko oryginalnych części i akcesoriów.
- Urządzenie to nie powinno być obsługiwane przez osoby o ograniczonych możliwościach fizycznych, sensorycznych lub umysłowych, ani osoby, które mają brak doświadczenia i wiedzy.
- Urządzenie to w żadnym wypadku nie powinno być używane przez dzieci.
- Przechowywać urządzenie i jego przewód zasilający w miejscu niedostępnym dla dzieci.
- **OSTRZEŻENIE:** ZAWSZE wyłączyć urządzenie i odłączyć od gniazdka elektrycznego przed czyszczeniem, konserwacją lub przechowywaniem.

Specjalne przepisy bezpieczeństwa

- Urządzenie to powinno być obsługiwane wyłącznie przez przeszkolony personel.
- Nie umieszczaj urządzenia na źródle ciepła (kuchenka gazowa, elektryczna, grill, itp.) Trzymaj urządzenie z dala od gorących powierzchni i otwartego ognia.
- Nie wolno używać urządzenia w pobliżu materiałów wybuchowych lub łatwopalnych, kart kredytowych, dysków magnetycznych lub radia.
- Zawsze obsługiwać urządzenie na równej, stabilnej, czystej, odpornej na wysoką temperaturę i suchej powierzchni.
- Nie wolno używać tego urządzenia za pomocą zewnętrznego zegara lub systemu zdalnego sterowania.
- Nigdy nie omijaj żadnych zamków i wyłączników na urządzeniu.
- **OSTRZEŻENIE:** Należy zachować wszystkie otwory wentylacyjne w urządzeniu z dala od przeszkód.
- **OSTRZEŻENIE:** ZAWSZE trzymaj ręce, włosy i odzież z dala od ruchomych części.
- Podczas użytkowania należy pozostawić co najmniej 15 cm przestrzeni wokół urządzenia do celów wentylacji.
- **Uwaga!** Bezpiecznie przeprowadź przewód zasilający, aby zapobiec niezamierzonemu ciągnięciu lub zetknięciu się z powierzchnią grzewczą.
- Nie myć korpusu urządzenia wodą lub strumieniem wody. Mycie wodą może spowodować wyciek, co zwiększa ryzyko porażenia prądem elektrycznym.
- Nie czyścić ani przechowywać urządzenia, dopóki nie zostanie całkowicie schłodzone.
- Nie ruszaj urządzenia podczas pracy. Odłącz urządzenie podczas ruchu i przytrzymaj je na dole.
- Nie należy obsługiwać urządzenia bez zawartości, aby uniknąć przegrzania.
- Nigdy nie używać urządzenia bez założonej pokrywy i płyty obrotowej.
- Żadne części nie nadają się do mycia w zmywarce do naczyń.



Przeznaczenie

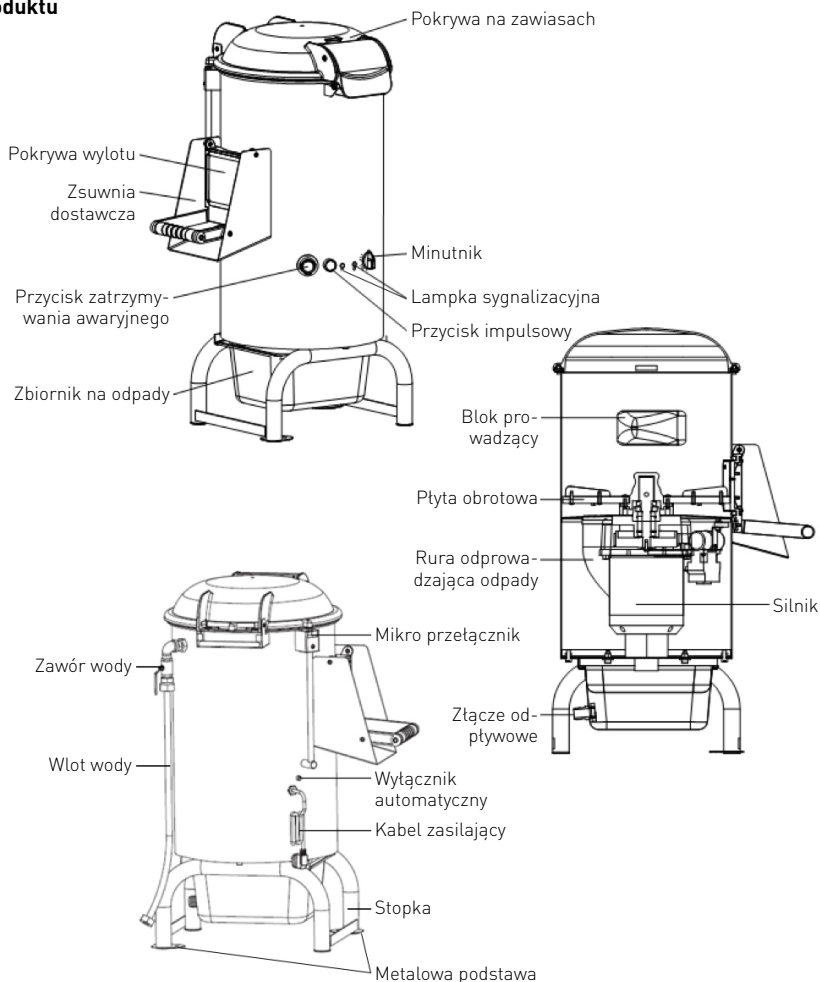
- Urządzenie to jest przeznaczone do użytku profesjonalnego i może być obsługiwane wyłącznie przez wykwalifikowany personel.
- To urządzenie jest przeznaczone wyłącznie do obierania ziemniaków w zastosowaniach komercyjnych. Każde inne użycie może prowadzić do uszkodzenia urządzenia lub obrażeń ciała.

Instalacja uziemienia

Urządzenie to jest klasyfikowane jako **klasa ochrony I** i musi być połączone z podłożem ochronnym. Uziemienie zmniejsza ryzyko porażenia prądem elektrycznym, dostarczając przewód ewakuacyjny dla prądu elektrycznego. To urządzenie jest wy-

posażone w przewód zasilający, który ma przewód uziemiający i uziemioną wtyczkę. Wtyczka musi być podłączona do gniazdka, które jest prawidłowo zainstalowane i uziemione.

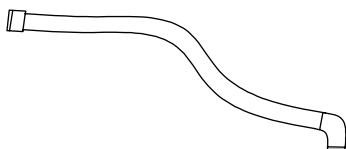
Opis produktu



Akcesoria



Śruba rozporowa

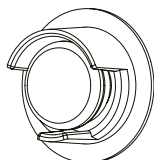


Wąż spustowy
(zbiornik na odpady)



Zacisk węża

Panel sterowania



1



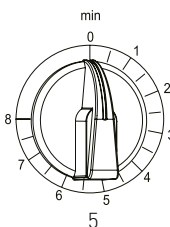
2



3



4



5

1) Przycisk zatrzymywania awaryjnego

- W nagłych przypadkach (np. zablokowanie, nietypowe wibracje lub hałas itp.) należy natychmiast nacisnąć przycisk. Urządzenie zatrzyma się. Wszystkie pozostałe przyciski/przetaczniki pozostaną nieaktywne do momentu zresetowania przycisku zatrzymywania awaryjnego.

Uwaga: Aby zresetować przycisk zatrzymywania awaryjnego, należy obrócić go zgodnie z ruchem wskazówek zegara, aż wyskoczy do pozycji wyjściowej.

2) Przycisk impulsowy

- Użyć do rozładowania obranych ziemniaków.

Uwaga: Nie należy naciskać przycisku impulsowego podczas obierania.

3) Kontrolka zasilania

- Kontrolka świeci się, gdy urządzenie jest podłączone do sieci elektrycznej i włączone.

4) Kontrolka pracy

- Kontrolka jest włączona podczas pracy silnika.

5) Pokrętko minutnika

- Przekręcić pokrętko minutnika na żądany czas pracy (0-8 minut), aby uruchomić urządzenie.

Przygotowania przed instalacją

- Zdejmij wszystkie opakowania ochronne i opakowanie.
- Sprawdź uszkodzenia transportu urządzenia. Upewnij się, że wszystkie części są dostarczane. W przypadku niekompletnej dostawy (np. wąż spustowy, zacisk węża, śruba rozporowa) lub uszkodzenia, należy niezwłocznie skontaktować się z dostawcą. NIE używać urządzenia. (Patrz: Gwarancja).

- Przed użyciem należy wyczyścić urządzenie (patrz: Czyszczenie i konserwacja).
- Upewnij się, że urządzenie jest całkowicie suche.
- Zachowaj opakowanie na wypadek konieczności spakowania urządzenia w przyszłości.

PL

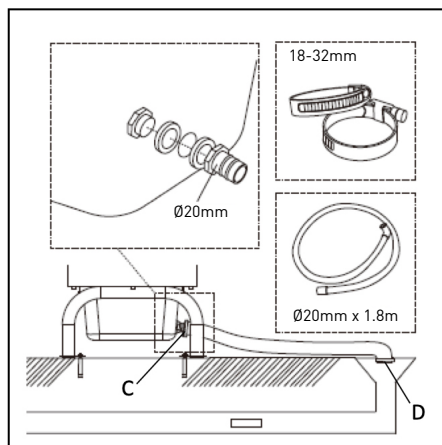
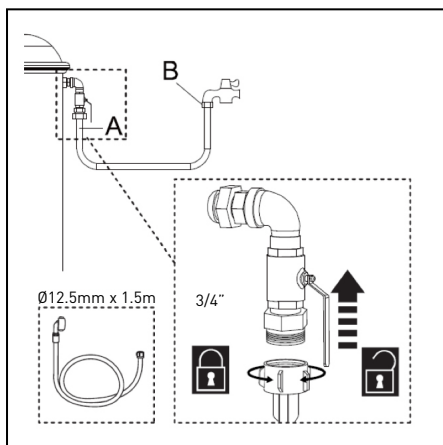


Instalacja

- Upewnij się, że maszyna jest umieszczona w suchym miejscu, a powierzchnia jest równa i ma wystarczającą wytrzymałość, aby utrzymać maszynę.
- Upewnij się, że zasilanie elektryczne odpowiada etykietce znamionowej na maszynie.
- Upewnij się, że w pobliżu nie ma żadnych przeszkód.

- **OSTROŻNIE!** Nigdy nie omijaj żadnych zamków i wyłączników na urządzeniu.
- Upewnij się, że śruby rozporowe (w zestawie) są zamontowane do metalowych podstaw (na nóżkach), mocujących urządzenie.
- W każdym przypadku montaż należy przeprowadzić z uwzględnieniem wszelkich obowiązujących przepisów bezpieczeństwa przemysłowego.

Podłączenie do sieci wodociągowej i kanalizacyjnej

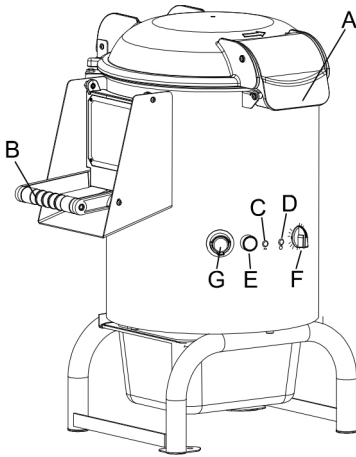


- 1) Podłączyć do sieci wodociągowej za pomocą dostarczonego węża ($\text{Ø}12,5 \text{ mm} \times 150 \text{ cm}$) i złączek $3/4''$. Postępować zgodnie z poniższym:
 - I. Podłączyć wąż do wlotu do tyłu maszyny (Lokalizacja A).
 - II. Podłączyć drugi koniec węża do źródła wody (Lokalizacja B).
 - III. Urządzenie wyposażono w zawór wody do wygodnego sterowania przepływem wody.

- 2) Podłączyć do instalacji kanalizacyjnej za pomocą dotarczonego węża ($\text{Ø}25 \text{ mm} \times 180 \text{ cm}$) i opasek zaciskowych. Postępować zgodnie z poniższym:
 - I. Założyć opaski zaciskowe na wąż.
 - II. Podłączyć wąż do złącza zbiornika na odpady (Lokalizacja C) i zamocować go za pomocą opasek zaciskowych.
 - III. Drugi koniec węża odpływowego należy podłączyć do instalacji kanalizacyjnej (Lokalizacja D).

Operacja

Uwaga: Urządzenie jest wyposażone w system bezpieczeństwa, który uniemożliwia pracę, jeżeli pokrywa nie jest prawidłowo założona.



- 1) Otworzyć przezroczystą pokrywę, pociągając za uchwyt A do momentu kliknięcia.
- 2) Włożyć płytę obrotową i załadować zbiornik produktem, który ma być przetworzony.
- 3) Zamknąć pokrywę i upewnić się, że drzwiczki wylotowe B są zamknięte.
- 4) Podłączyć doptyw wody i włączyć zawór wody. Upewnić się, że woda wpływa do urządzenia. (patrz „Podłączenie do sieci wodociągowej i kanalizacyjnej”).
- 5) Włączyć zasilanie sieciowe. Zaświeci się kontrolka zasilania C.
- 6) Włączyć maszynę, ustawiając minutnik F na wymaganą długość cyklu roboczego, zaświeci się kontrolka pracy D.
- 7) Po upływie ustawionego czasu maszyna zatrzyma się automatycznie, a kontrolka pracy zgaśnie.

- 8) Po przygotowaniu pojemnika otworzyć drzwiczki wylotowe B. Następnie nacisnąć przycisk impulsowy E, aby obrócić tarczę. W międzyczasie przytrzymać drzwiczki wylotowe, aż do zebrania wszystkich ziemniaków.

NIEBEZPIECZEŃSTWO — PRZESTROGA: Nigdy nie wkładać rąk do środka drzwiczek wylotowych. Jeśli zdarzy się jakikolwiek wypadek, należy natychmiast nacisnąć przycisk zatrzymywania awaryjnego.

OSTRZEŻENIE! Urządzenie nie powinno być eksploatowane bez obciążenia.

UWAGA: Przed każdym cyklem zdjąć płytę do obierania i sprawdzić, czy rura odprowadzająca odpady nie jest zablokowana.

UWAGA: Urządzenie jest wyposażone w dwa wyłączniki bezpieczeństwa.

- a) Kontakttron wyposażony jest w mechanizm magnetyczny. Urządzenie zatrzymuje się automatycznie, gdy podczas pracy zostanie otwarta górna pokrywa lub pokrywa wylotowa.
- b) Wyłącznik nadprądowy (wyłącznik automatyczny) jest przeznaczony do ochrony obwodu elektrycznego przed uszkodzeniem spowodowanym przez nadmiar prądu w wyniku przeciążenia lub zwarcia. Po wykryciu usterki wyłącznik przerywa przepływ prądu.

Uwaga: Aby zresetować przetłacznik, należy go nacisnąć po rozwiązaniu problemu.

Ważne

- Ostrzeżenie! Never Nigdy nie wkładaj rąk do urządzenia podczas pracy.

- Nie używać drewnianych/metalowych ani plastikowych przedmiotów do zgarniania składników.
- Nigdy nie używać mrożonych ziemniaków.



Czyszczenie i konserwacja

Uwaga: Zawsze odłącz urządzenie od gniazdka elektrycznego i pozwól mu całkowicie ostygnąć przed czyszczeniem i przechowywaniem.

Czyszczenie

- Urządzenie należy czyścić przed i po każdym użyciu.
- Nigdy nie zanurzaj urządzenia w wodzie lub innych płynach.
- Oczyszczyć schłodzoną powierzchnię zewnętrzną lekko wilgotną ściereczką lub gąbką z łagodnym roztworem mydła.
- Upewnij się, że górna pokrywa (wraz z uszczelką), zsuwnia dostawcza i zbiorniki są czyste. Wyszuszyć miękką, suchą ściereczką.
- Otworzyć górną pokrywę i wyjąć płytę do obiera-

nia z komory obierania. Wyczyścić płytę do obierania i wewnątrz komory obierania za pomocą odpowiedniej szczotki. Następnie sptukać je czystą wodą.

- Nigdy nie używaj gąbek ściernych lub detergentów, wełny stalowej lub metalowych przyborów do czyszczenia wewnętrznych lub zewnętrznych części urządzenia.
- Jeśli urządzenie jest bezczynne przez długi czas, przed użyciem upewnij się, że smarujesz cały metal.

Przechowywanie

- Przechowywać urządzenie w chłodnym, czystym i suchym miejscu.
- Przynajmniej raz w miesiącu przetrzeć zewnętrzną stronę urządzenia miękką, wilgotną ściereczką i w razie potrzeby niewielką ilością łagodnego detergentu.

Rozwiązywanie problemów

Jeśli urządzenie nie działa prawidłowo, sprawdź poniższą tabelę pod kątem możliwych rozwiązań. Jeśli problem nie został rozwiązany za pomocą jednego z tych rozwiązań, skontaktuj się z dostawcą/ustugodawcą.

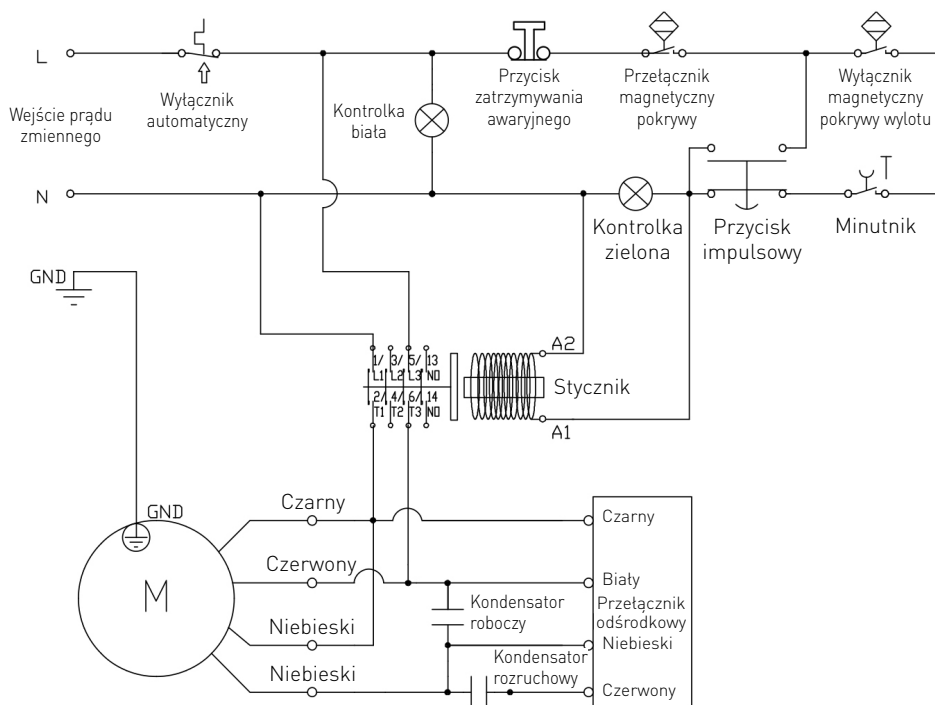
Problem	Rozwiązanie
Urządzenie się nie uruchamia	Upewnij się, że jest podłączony.
	Upewnij się, że wyłącznik bezpieczeństwa jest zamknięty.
	Upewnij się, że przycisk zatrzymywania awaryjnego nie został uruchomiony.
	Jeśli problem występuje po długim okresie intensywnego użytkowania, silnik mógł się przegrzać. Zaczekaj co najmniej 20 minut i spróbuj ponownie. Jeśli umieścisz urządzenie w chłodnym miejscu, skróci to czas oczekiwania.

Specyfikacja techniczna

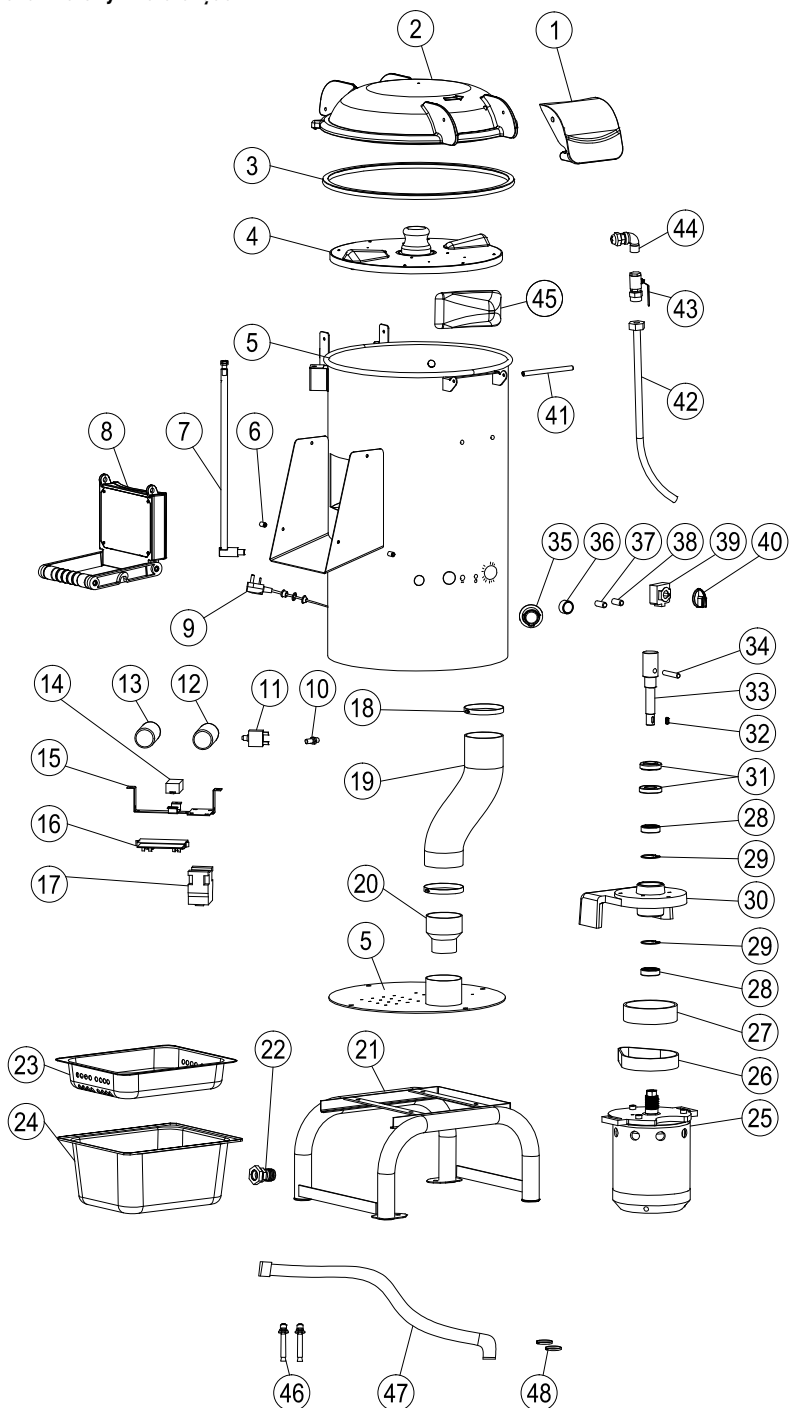
Nr przedmiotu	229200	229217	229224
Napięcie robocze i częstotliwość	230V- 50Hz		
Znamionowa moc	550W	750W	1100W
Wymiary	540x622x(h)802mm	540x622x(h)857mm	540x622x(h)997mm
Pojemność	5kg / 12L	10kg / 22L	18kg / 28L
Poziom ciśnienia akustycznego emisji ważony A	> 70dB(A)		
Klasa ochrony	Klasa I		
Klasa wodoodporna	IP23		
Waga netto	39,2kg	39,6kg	42,4kg

Uwaga: Specyfikacja techniczna może ulec zmianie bez uprzedzenia.

Diagram obwodu



Rysunek rozstrzelony i lista części



Nr części	Nazwa części	Nr części	Nazwa części
1	Płyta zamykająca	25	Silnik
2	Pokrywa na zawiasach	26	Pasek
3	Uszczelka pierścieniowa	27	Koło pasowe
4	Tarcza ścierna	28	6004 Łozysko
5	Cylinder ze stali nierdzewnej	29	Pierścień zatrzaskowy typu C
6	Wystający trzpień	30	Płyta mocująca silnik
7	Przewód rurowy	31	Pierścień uszczelniający
8	Pokrywa wylotu	32	Klin płaski
9	Kabel zasilający	33	Wał wyjściowy
10	Mikro przelącznik	34	Sworzeń o statym położeniu
11	Wyłącznik automatyczny	35	Przycisk zatrzymywania awaryjnego
12	Kondensator roboczy	36	Przycisk impulsowy
13	Kondensator rozruchowy 150 uF	37	Kontrolka biała
14	Przelącznik odśrodkowy	38	Kontrolka zielona
15	Wspornik z PCB	39	Minutnik
16	Panel PCB	40	Pokrętko minutnika
17	Stycznik	41	Sworzeń bagnetowy
18	Zacisk węża	42	Wąż
19	Rura odprowadzająca odpady	43	Zawór wody
20	Złącze rury odprowadzającej	44	Złącze typu L
21	Wspornik	45	Blok prowadzący
22	Złącze odpływowe	46	Śruba rozporowa
23	Zbiornik sitowy	47	Wąż spustowy (zbiornik na odpady)
24	Zbiornik na odpady	48	Zacisk węża



Gwarancja

Każda wada bądź usterka powodująca niewłaściwe funkcjonowanie urządzenia, która ujawni się w ciągu jednego roku od daty zakupu, zostanie bezpłatnie usunięta lub urządzenie zostanie wymienione na nowe, o ile było użytkowane i konserwowane zgodnie z instrukcją obsługi i nie było wykorzystywane w niewłaściwy sposób lub niezgodnie z przeznaczeniem. Postanowienie to w żadnej mierze nie narusza innych praw użytkownika wynikających z przepisów prawa. W przypadku zgłoszenia urzą-

żenia do naprawy lub wymiany w ramach gwarancji należy podać miejsce i datę zakupu urządzenia i dołączyć dowód zakupu (np. paragon).

Zgodnie z naszą polityką ciągłego doskonalenia wyrobów zastrzegamy sobie prawo do wprowadzania bez uprzedzenia zmian w wyrobie, opakowaniu oraz danych technicznych podawanych w dokumentacji.

Wycofanie z użytkowania i ochrona środowiska

Pamiętaj!

Nie wyrzucaj zużytego sprzętu łącznie z innymi odpadami

Nie demontuj zużytych urządzeń zawierających niebezpieczne składniki na własną rękę!

Groźą Ci za to kary grzywny!

Po zakończeniu eksploatacji produktu nie wolno gromadzić razem z odpadami komunalnymi, tylko należy odstawić do punktu odbioru odpadów elektrycznych i elektronicznych. Użytkownik ponosi odpowiedzialność za przekazanie wycofanego z użytkowania urządzenia do punktu gospodarowania odpadami. Nieprzestrzeganie tej zasady może być karane zgodnie z lokalnie obowiązującymi przepisami dotyczącymi gospodarowania odpadami. Jeśli urządzenie wycofane z użytkowania jest poprawnie odebrane jako osobny odpad, może zostać przetworzone i zutylizowane w sposób przyjazny dla środowiska, co zmniejsza negatywny wpływ na środowisko i zdrowie ludzi. Aby uzyskać więcej informacji dotyczących dostępnych usług w zakresie odbioru odpadów, należy skontaktować się z lokalną firmą odbierającą odpady.



Symbol przekreślonego kosza na śmieci oznacza, że tego produktu nie wolno wyrzucać do zwykłych pojemników na odpady.

Zużyte urządzenia elektryczne i elektroniczne mogą zawierać niebezpieczne składniki np. rtęć, ołów, kadm lub freon. Jeśli tego typu substancje przedostaną się w sposób niekontrolowany do środowiska, spowodują skażenie wody i gleby, a także wpłyną niekorzystnie na zdrowie ludzi i zwierząt.

Właściwe postępowanie ze zużytym sprzętem zapobiega potencjalnym negatywnym konsekwencjom dla środowiska naturalnego i ludzkiego zdrowia.

Jednocześnie oszczędzamy naturalne zasoby naszej Ziemi wykorzystując powtórnie surowce uzyskane z przetwarzania sprzętu.

Cher client,

Merci d'avoir acheté cet appareil HENDI. Lisez attentivement ce manuel, en accordant une attention particulière aux règles de sécurité décrites ci-dessous, avant d'installer et d'utiliser cet appareil pour la première fois.

Règlement sur la sécurité

- Cet appareil n'est pas destiné à un usage domestique.
- N'utilisez l'appareil qu'aux fins prévues pour lesquelles il a été conçu comme décrit dans le présent manuel.
- Le fabricant n'est pas responsable des dommages causés par un mauvais fonctionnement et une mauvaise utilisation.
- Gardez l'appareil et la prise électrique à l'écart de l'eau et des autres liquides. Dans le cas où l'appareil tombe dans l'eau, retirez immédiatement la prise d'alimentation de la prise. N'utilisez pas l'appareil tant qu'elle n'a pas été vérifiée par un technicien certifié. Si vous ne respectez pas ces instructions, vous risquez de mettre la vie en danger.
- N'essayez jamais d'ouvrir le boîtier de l'appareil par vous-même.
- N'insérez pas d'objets dans le boîtier de l'appareil.
- Ne touchez pas la prise avec les mains mouillées ou humides.
- ⚠ **Danger de choc électrique!** N'essayez pas de réparer l'appareil par vous-même, les réparations doivent être effectuées uniquement par du personnel qualifié.
- **N'utilisez jamais un appareil endommagé!** Lorsqu'il est endommagé, débranchez l'appareil de la prise et contactez le détaillant.
- **Avertissement!** Ne pas immerger les parties électriques de l'appareil dans de l'eau ou d'autres liquides.
- Ne tenez jamais l'appareil sous l'eau courante.
- Vérifiez régulièrement la prise d'alimentation et le cordon pour tout dommage. Lorsqu'il est endommagé, il doit être remplacé par un agent de service ou une personne qualifiée de la même manière afin d'éviter un danger ou une blessure.
- Assurez-vous que le cordon n'entre pas en contact avec des objets tranchants ou chauds et maintenez-le à l'écart du feu ouvert. Ne tirez jamais le cordon d'alimentation pour le débrancher de la prise, tirez toujours la prise à la place.
- Assurez-vous que le cordon d'alimentation et/ou le rallonge ne présentent pas de risque de déclenchement.
- Ne laissez jamais l'appareil sans surveillance pendant l'utilisation.
- **Avertissement!** Tant que la prise est dans la prise, l'appareil est connecté à la source d'alimentation.
- Éteignez l'appareil avant de le débrancher de la prise.
- Connectez la prise d'alimentation à une prise électrique facilement accessible afin qu'en cas d'urgence l'appareil puisse être débranché immédiatement.
- Ne portez jamais l'appareil par le cordon.
- N'utilisez pas de périphériques supplémentaires qui ne sont pas fournis avec la solution matérielle-logicielle.

FR



- Connectez uniquement l'appareil à une prise électrique dont la tension et la fréquence sont indiquées sur l'étiquette de l'appareil.
- N'utilisez jamais d'accessoires autres que ceux recommandés par le fabricant. Le fait de ne pas le faire pourrait présenter un risque pour la sécurité de l'utilisateur et pourrait endommager l'appareil. Utilisez uniquement des pièces et accessoires d'origine.
- Cet appareil ne doit pas être utilisé par des personnes ayant des capacités physiques, sensorielles ou mentales réduites, ou par des personnes qui ont un manque d'expérience et de connaissances.
- Cet appareil ne doit en aucun cas être utilisé par des enfants.
- Gardez l'appareil et son cordon d'alimentation hors de portée des enfants.
- **ATTENTION:** éteignez TOUJOURS l'appareil et débranchez de la prise d'alimentation avant le nettoyage, l'entretien ou le stockage.

Règlement spécial sur la sécurité

- Cet appareil ne doit être utilisé que par du personnel qualifié.
- Ne placez pas l'appareil sur une source de chaleur (essence, électrique, cuisinière à charbon, etc.) Tenir l'appareil à l'écart des surfaces chaudes et des flammes ouvertes.
- Ne pas utiliser l'appareil à proximité de matériaux explosifs ou inflammables, de cartes de crédit, de disques magnétiques ou de radios.
- Utilisez toujours l'appareil sur une surface plane, stable, propre, résistante à la chaleur et sèche.
- Ne pas utiliser cet appareil au moyen d'une minuterie externe ou d'un système de télécommande.
- Ne jamais contourner les verrous et interrupteurs de sécurité de l'appareil.
- **AVERTISSEMENT:** Gardez toutes les ouvertures de ventilation de l'appareil à l'abri de toute obstruction.
- **AVERTISSEMENT:** Gardez toujours les mains, les cheveux et les vêtements loin des parties mobiles.
- Prévoyez un espace d'au moins 15 cm autour de l'appareil lors de l'utilisation à des fins de ventilation.
- **Attention!** Acheminez en toute sécurité le cordon d'alimentation afin d'éviter toute traction accidentelle ou tout contact avec la surface chauffante.
- Ne pas laver le corps de l'appareil avec de l'eau ou un jet d'eau. Laver à l'eau peut provoquer des fuites, ce qui augmente le risque de choc électrique.
- Ne nettoyez pas ou ne stockez pas l'appareil avant qu'il soit complètement refroidi.
- Ne déplacez pas la solution matérielle-logicielle en cours de fonctionnement. Débranchez l'appareil lors du déplacement et maintenez-le en bas.
- Ne pas utiliser l'appareil sans contenu pour éviter la surchauffe.
- Ne jamais utiliser l'appareil sans le couvercle et la plaque tournante installés.
- Aucune pièce ne doit être lavée au lave-vaisselle.

Utilisation prévue

- Cet appareil est destiné à un usage professionnel et ne peut être utilisé que par un personnel qualifié.
- Cet appareil est conçu uniquement pour éplucher les pommes de terre dans le cadre d'une utilisation commerciale. Toute autre utilisation

peut entraîner des dommages de l'appareil ou des blessures corporelles.

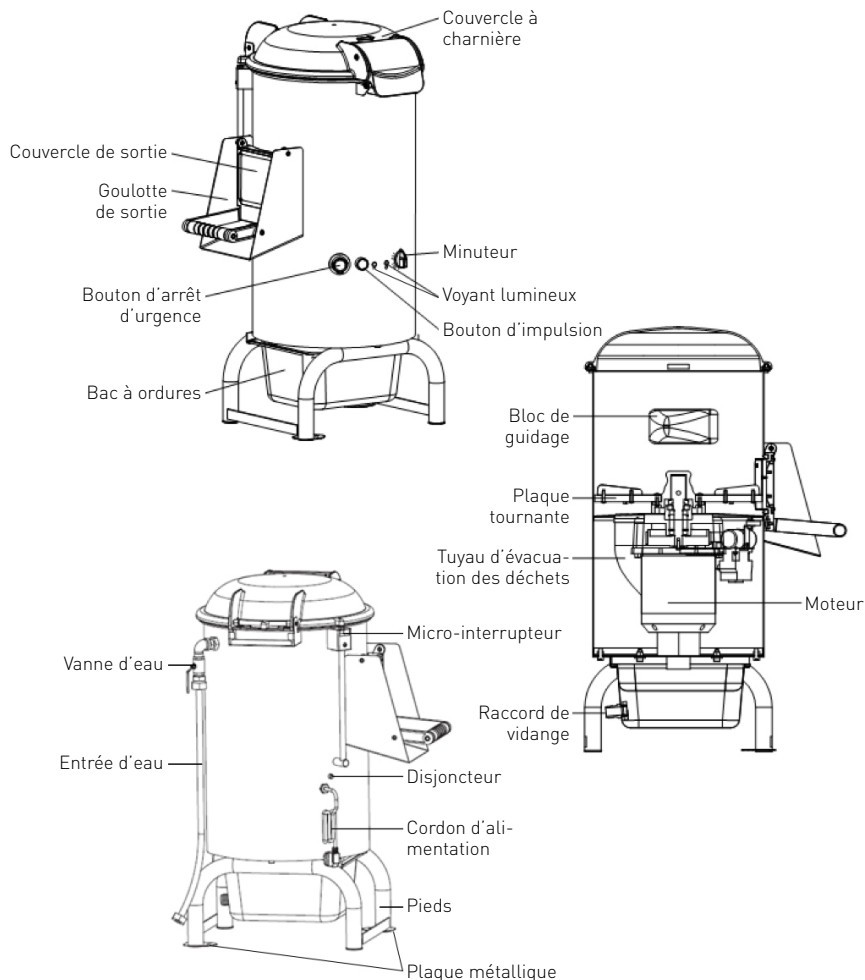
- Le fait de faire fonctionner l'appareil à toute autre fin est considéré comme une mauvaise utilisation de l'appareil. L'utilisateur est seul responsable de l'utilisation abusive de l'appareil.

Installation de mise à la terre

Cet appareil est classé dans la **classe de protection I** et doit être raccordé à un sol de protection. La mise à la terre réduit le risque de choc électrique en fournissant un fil d'évacuation pour le courant électrique. Cet appareil est équipé d'un cordon

d'alimentation muni d'un fil de mise à la terre et d'une prise mise à la terre. La fiche doit être branchée sur une prise correctement installée et mise à la terre.

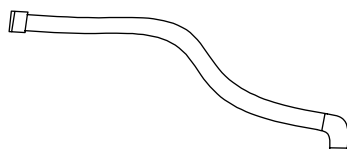
Description du produit



Accessoires



Boulon d'expansion

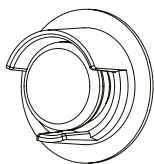


Tuyau de vidange
(Bac à déchets)



Collier de serrage
du tuyau

Panneau de commande



1



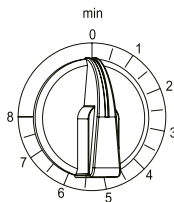
2



3



4



5

1) Bouton d'arrêt d'urgence

- En cas d'urgence (blocage, vibration ou bruit anormal, etc.), appuyez immédiatement sur le bouton. L'appareil s'arrête. Tous les autres boutons / interrupteurs sont désactivés jusqu'à la réactivation du bouton d'arrêt d'urgence.

Remarque : Pour réinitialiser le bouton d'arrêt d'urgence, tournez-le dans le sens des aiguilles d'une montre jusqu'à ce qu'il retrouve sa position initiale.

2) Bouton d'impulsion

- Sert à décharger les pommes de terre épluchées.

Remarque : Ne pas appuyer sur le bouton d'impulsion pendant l'opération d'épluchage.

3) Voyant de mise sous tension

- Le voyant s'allume lorsque l'appareil est branché sur le secteur et mis sous tension.

4) Voyant de fonctionnement

- Le voyant est allumé lorsque le moteur est En marche.

5) Bouton de minuteur

- Tournez le bouton de minuteur sur la durée de fonctionnement souhaitée (0-8 minutes) pour le démarrage de la machine.

Préparations avant l'installation

- Retirez tous les emballages et emballages de protection.
- Vérifiez les dommages causés par le transport de l'appareil. Assurez-vous que toutes les pièces sont fournies. En cas de livraison incomplète (par ex. tuyau de vidange, collier de serrage du tuyau, boulon d'expansion) ou de dommages, contactez immédiatement le fournisseur. N'utilisez PAS l'appareil. (Voir Garantie).

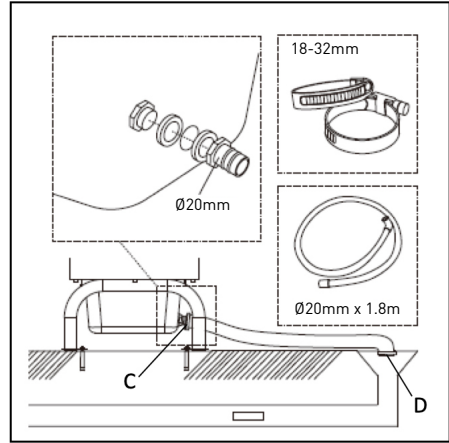
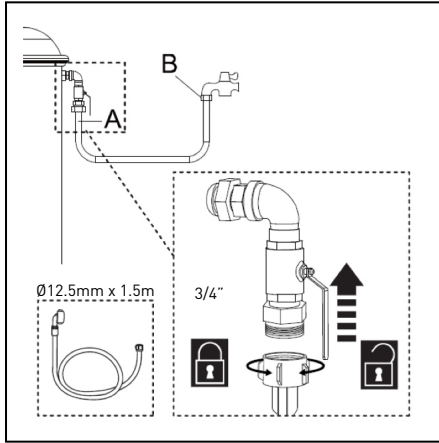
- Nettoyez l'appareil avant utilisation (voir : Nettoyage et entretien).
- Assurez-vous que l'appareil est complètement sec.
- Conservez l'emballage si vous avez l'intention de stocker votre appareil à l'avenir.

Installation

- S'assurer que la machine est placée dans une zone sèche et que la surface est plane et possède une résistance suffisante pour supporter la machine.
- Assurez-vous que l'alimentation électrique correspond à l'étiquette d'évaluation de la machine.
- Assurez-vous qu'il n'y a pas d'obstacles à proximité.

- **ATTENTION!** Ne jamais contourner les verrous et interrupteurs de sécurité de l'appareil.
- Veillez à ce que les boulons à expansion (fournis) soient installés sur les plaques métalliques (sur les pieds) pour fixer l'appareil.
- Dans tous les cas, l'installation doit s'effectuer en tenant compte des règles de sécurité industrielle en vigueur.

Raccordement à l'alimentation en eau et au système d'évacuation



- 1) Raccordez l'appareil à l'alimentation en eau à l'aide du tuyau fourni (Ø12,5 mm x 150 cm) et des raccords 3/4 «. Procédez comme suit :
 - I. Raccordez le tuyau à l'orifice situé à l'arrière de la machine (emplacement A).
 - II. Raccordez l'autre extrémité du tuyau à l'alimentation en eau (emplacement B).
 - III. L'appareil comprend une vanne d'eau permettant de contrôler le débit d'eau de manière pratique.

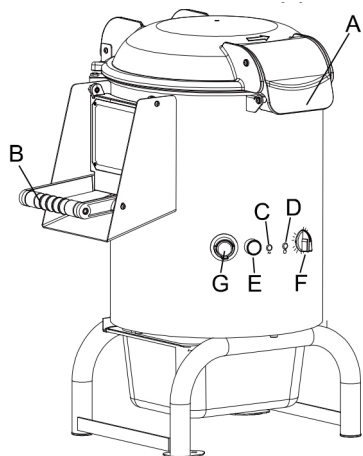
- 2) Raccordez au système de drainage à l'aide du tuyau fourni (Ø25 mm x 180 cm) et des colliers de serrage. Procédez comme suit :
 - I. Placez les colliers de serrage sur le tuyau.
 - II. Raccordez le tuyau au bac à déchets (emplacement C) et le fixer à l'aide des colliers de serrage.
 - III. L'autre extrémité du tuyau de vidange est insérée dans le système de vidange (emplacement D).

FR



Opération

Attention: Cet appareil est équipé d'un système de sécurité qui empêche son fonctionnement si le couvercle n'est pas correctement placé.



- 1) Ouvrez le couvercle transparent en tirant la poignée A jusqu'au clic pour l'ouvrir.
- 2) Introduisez le plateau tournant et chargez le récipient du produit à traiter.
- 3) Fermez le couvercle et assurez-vous que la trappe de sortie B est verrouillée.
- 4) Raccordez l'alimentation en eau et ouvrez la vanne d'eau. Assurez-vous que l'eau s'écoule (voir « Raccordement à l'alimentation en eau et au système d'évacuation »).
- 5) Mettez l'appareil sous tension. Le voyant de mise sous tension C s'allume.
- 6) Démarrez la machine en tournant le minuteur F sur la durée du cycle de travail souhaitée, le voyant de fonctionnement D s'allume.
- 7) Lorsque la durée programmée est atteinte, la machine s'arrête automatiquement et le voyant de fonctionnement s'éteint.

- 8) Ouvrez la trappe de sortie B après avoir préparé un récipient. Appuyez ensuite sur le bouton d'impulsion E pour faire tourner le disque. Pendant ce temps, maintenez la trappe de sortie jusqu'à récupération de toutes les pommes de terre.

DANGER - ATTENTION : Ne jamais mettre votre main à l'intérieur de la trappe de sortie. En cas d'accident, appuyez immédiatement sur le bouton d'arrêt d'urgence.

AVERTISSEMENT! L'appareil ne doit pas être utilisé sans charge.

REMARQUE: Retirez la plaque d'épluchage et vérifiez que le tuyau d'évacuation des déchets n'est pas obstrué pour chaque cycle.

REMARQUE: L'appareil est équipé de deux interrupteurs de sécurité.

- a) L'interrupteur à lames est équipé d'un mécanisme magnétique. L'appareil s'arrête automatiquement lorsque le couvercle supérieur ou le couvercle de sortie est ouvert au cours du fonctionnement.
- b) L'interrupteur de protection contre les surintensités (disjoncteur) est conçu pour protéger le circuit électrique des dommages causés par un courant excessif résultant d'une surcharge ou d'un court-circuit. Le commutateur interrompt la circulation du courant après la détection d'une défaillance.

Remarque : Pour réinitialiser l'interrupteur, appuyez dessus une fois le problème résolu.

Important

- **Avertissement!** N'insérez jamais vos mains dans l'appareil pendant le fonctionnement.
- Ne pas utiliser d'objets en bois/métal ou en plastique pour racler les ingrédients.
- Ne jamais utiliser de pommes de terre congelées.

Nettoyage et entretien

Attention : Débranchez toujours l'appareil de la prise électrique et laissez-le refroidir complètement avant le nettoyage et le stockage.

Nettoyage

- Nettoyez l'appareil avant et après chaque utilisation.
- Ne jamais immerger l'appareil dans de l'eau ou d'autres liquides.
- Nettoyez la surface extérieure refroidie avec un chiffon ou une éponge légèrement humide avec une solution savonneuse douce.
- Veillez à nettoyer le couvercle supérieur (y compris le joint), la goulotte de distribution et les bacs. Séchez-les avec un chiffon doux et sec.
- Ouvrez le couvercle supérieur et retirez la plaque

d'épluchage de la chambre d'épluchage. Nettoyez la plaque d'épluchage et l'intérieur de la chambre d'épluchage avec une brosse appropriée. Rincez-les ensuite à l'eau claire.

- N'utilisez jamais d'éponges abrasives ou de détergents, de laine d'acier ou d'ustensiles métalliques pour nettoyer les parties intérieures ou extérieures de l'appareil.
- Si l'appareil est inactif pendant une longue période, assurez-vous de lubrifier tout le métal avant utilisation.

Stockage

- Conservez l'appareil dans un endroit frais, propre et sec.
- Nettoyez l'extérieur de la machine au moins une fois par mois avec un chiffon doux et humide et, si nécessaire, avec un peu de détergent doux.

Dépannage

Si la solution matérielle-logicielle ne fonctionne pas correctement, consultez le tableau ci-dessous pour trouver des solutions possibles. Si votre problème n'est pas résolu par l'une de ces solutions, veuillez contacter le fournisseur/fournisseur de services.

Problème	Solution
L'apppliance ne démarre pas	Assurez-vous qu'il est branché.
	Assurez-vous que le disjoncteur de sécurité est fermé.
	Veillez à ce que le bouton d'arrêt d'urgence ne soit pas enclenché.
	Si le problème se produit après une longue période d'utilisation intensive, le moteur peut avoir surchauffé. Attendez au moins 20 minutes et réessayez. Si vous mettez l'appareil dans un endroit frais, cela réduira le temps d'attente.

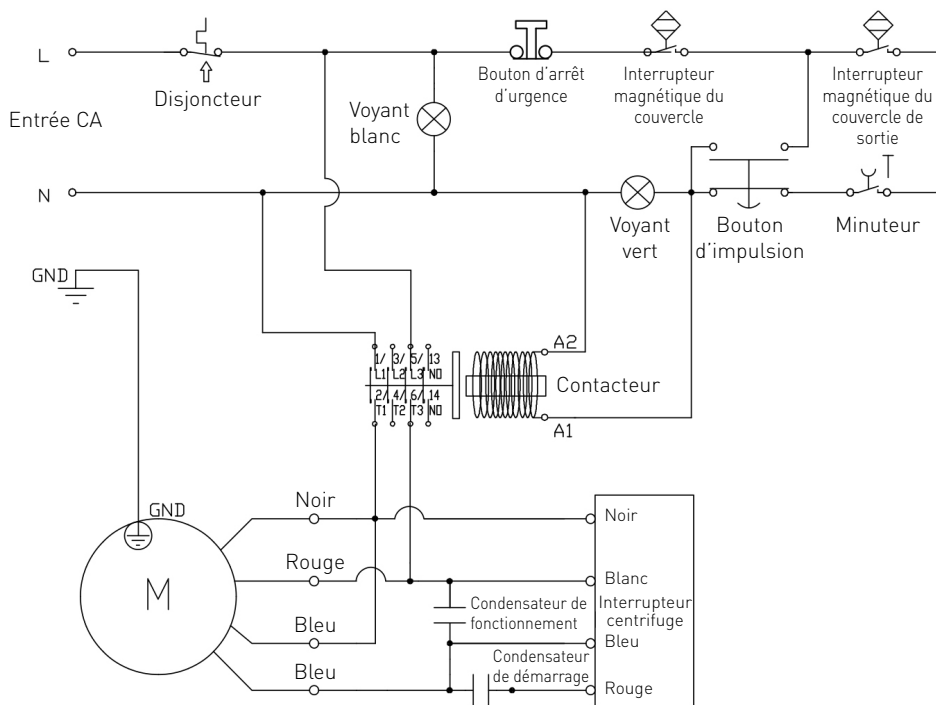


Caractéristiques techniques

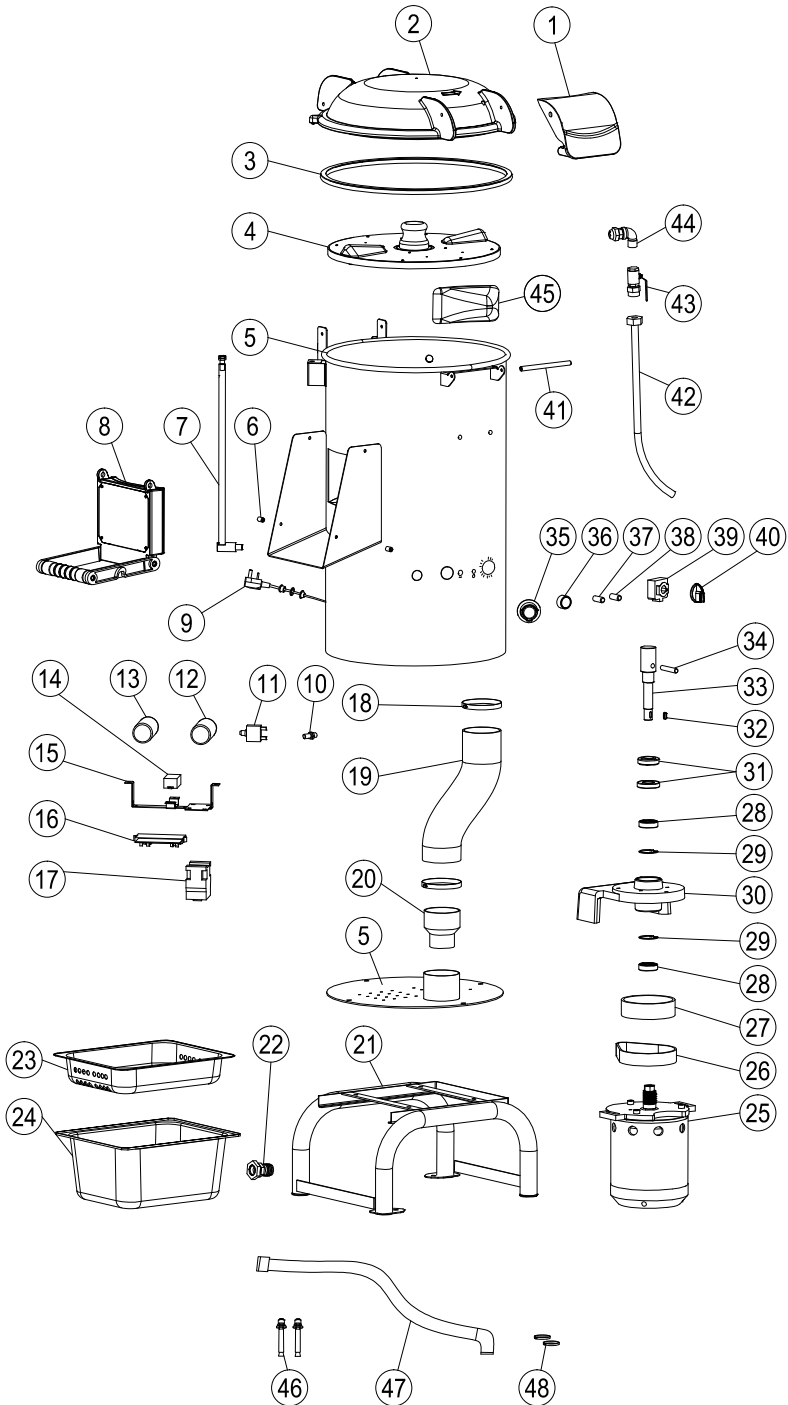
N° d'article	229200	229217	229224
Tension et fréquence de fonctionnement	230V- 50Hz		
Consommation électrique nominale	550W	750W	1100W
Dimensions	540x622x(h)802mm	540x622x(h)857mm	540x622x(h)997mm
Capacité	5kg / 12L	10kg / 22L	18kg / 28L
Niveau de pression acoustique d'émission pondéré A	> 70dB(A)		
Classe de protection	Classe I		
Classe imperméable	IP23		
Poids net	39,2kg	39,6kg	42,4kg

Remarque : Les caractéristiques techniques peuvent être modifiées sans préavis.

Schéma de circuit



Dessin éclaté et liste de pièces



FR



Pièce n°	Dénomination d'une pièce	Pièce n°	Dénomination d'une pièce
1	Plaque de verrouillage	25	Moteur
2	Couvercle à charnière	26	Courroie
3	Bague d'étanchéité	27	Roue à courroie
4	Disque abrasif	28	6004 Palier
5	Cylindre S/S	29	Anneau élastique en C
6	Goupille saillante	30	Plaque de fixation du moteur
7	Conduit de fil	31	Bague d'étanchéité
8	Couvercle de sortie	32	Clé plate
9	Cordon d'alimentation	33	Arbre de sortie
10	Micro-interrupteur	34	Goupille de position fixe
11	Disjoncteur	35	Bouton d'arrêt d'urgence
12	Condensateur de fonctionnement	36	Bouton d'impulsion
13	Condensateur de démarrage 150 µF	37	Voyant blanc
14	Interrupteur centrifuge	38	Voyant vert
15	Support de circuit imprimé	39	Minuteur
16	Panneau PCB	40	Bouton de minuteur
17	Contacteur	41	Goupille baïonnette
18	Collier de serrage du tuyau	42	Tuyau
19	Tuyau d'évacuation des déchets	43	Vanne d'eau
20	Raccord de tuyau d'évacuation	44	Raccord de type en L
21	Support de fixation	45	Bloc de guidage
22	Raccord de vidange	46	Boulon d'expansion
23	Bassin de tamisage	47	Tuyau de vidange (Bac à déchets)
24	Bac à déchets	48	Collier de serrage du tuyau

Garantie

Tout vice ou toute défaillance entraînant un dysfonctionnement de l'appareil qui se déclare dans les 12 mois suivant la date de l'achat sera éliminé à titre gratuit ou l'appareil sera remplacé par un appareil nouveau si le premier a été dûment exploité et entretenu conformément aux termes de la notice d'exploitation et s'il n'a pas été indûment exploité ou de manière non conforme à sa destination. La présente stipulation ne porte pas de préjudice aux autres droits de l'utilisateur prévus par les dispositions légales. Dans le cas où l'appareil est donné à la réparation ou doit être remplacé

dans le cadre de la garantie, il y a lieu de spécifier le lieu et la date de l'achat de l'appareil et produire un justificatif nécessaire (par ex. facture ou ticket de caisse).

Conformément à notre politique d'amélioration permanente de nos produits, nous nous réservons le droit d'introduire sans avertissement préalable des modifications à l'appareil, à l'emballage et aux caractéristiques techniques précisées dans la documentation.

Élimination et protection de l'environnement

En cas de retrait du produit de l'exploitation l'appareil ne peut pas être jeté avec d'autres déchets ménagers. L'utilisateur est responsable de la remise de l'équipement au point de collecte approprié pour l'équipement usagé. Le non-respect des dispositions ci-dessus peut entraîner les pénalités conformément à la réglementation applicable en matière d'élimination des déchets. La collecte sélective et le recyclage des équipements usagés contribuent à la conservation des ressources natu-


relles et assurent un recyclage sans danger pour la santé et l'environnement.

Pour plus d'informations sur les endroits de collecte des équipements usagés pour le recyclage, contactez la société de collecte des déchets locale. Le producteur et l'importateur ne sont pas responsables du recyclage et du traitement des déchets d'une manière respectueuse de l'environnement directement et dans le système public.



Grazie per aver acquistato questo apparecchio HENDI. Leggere attentamente questo manuale, prestando particolare attenzione alle norme di sicurezza descritte di seguito, prima di installare e utilizzare questo apparecchio per la prima volta.

Norme di sicurezza

- Questo apparecchio non è destinato all'uso domestico.
- Utilizzare l'apparecchio solo per lo scopo previsto per il quale è stato progettato come descritto nel presente manuale.
- Il produttore non è responsabile per eventuali danni causati da un funzionamento scorretto e da un uso improprio.
- Tenere l'apparecchio e la spina elettrica lontano da acqua e altri liquidi. Nel caso in cui l'apparecchio cada in acqua, rimuovere immediatamente la spina di alimentazione dalla presa. Non utilizzare l'apparecchio fino a quando non è stato controllato da un tecnico certificato. Il mancato rispetto di queste istruzioni causerà rischi pericolosi per la vita.
- Non tentare mai di aprire l'alloggiamento dell'apparecchio da soli.
- Non inserire oggetti nell'alloggiamento dell'apparecchio.
- Non toccare la spina con le mani bagnate o umide.
-  **Pericolo di scosse elettriche!** Non tentare di riparare l'apparecchio da solo, le riparazioni devono essere eseguite solo da personale qualificato.
- **Non utilizzare mai un apparecchio danneggiato!** Quando è danneggiato, scollegare l'apparecchio dalla presa e contattare il rivenditore.
- **Avvertimento!** Non immergere le parti elettriche dell'apparecchio in acqua o altri liquidi.
- Non tenere mai l'apparecchio sotto l'acqua corrente.
- Controllare regolarmente la spina e il cavo di alimentazione per eventuali danni. Se danneggiato, deve essere sostituito da un agente di servizio o da una persona altrettanto qualificata al fine di evitare pericoli o lesioni.
- Assicurarsi che il cavo non entri in contatto con oggetti appuntiti o caldi e tenerlo lontano dal fuoco aperto. Non tirare mai il cavo di alimentazione per scollegarlo dalla presa, staccare sempre la spina.
- Assicurarsi che il cavo di alimentazione e/o la prolunga non causino rischi di inciampare.
- Non lasciare mai l'apparecchio incustodito durante l'uso.
- **Avvertimento!** Finché la spina si trova nella presa, l'apparecchio è collegato alla fonte di alimentazione.
- Spegnerne l'apparecchio prima di scollegarlo dalla presa.
- Collegare la spina di alimentazione a una presa elettrica facilmente accessibile in modo che in caso di emergenza l'apparecchio possa essere scollegato immediatamente.
- Non portare mai l'apparecchio con il cavo.
- Non utilizzare dispositivi aggiuntivi non forniti insieme all'apparecchio.
- Collegare l'apparecchio a una presa elettrica solo con la tensione e la frequenza indicati sull'etichetta dell'apparecchio.

- Non utilizzare mai accessori diversi da quelli consigliati dal produttore. In caso contrario, potrebbe comportare un rischio per la sicurezza dell'utente e danneggiare l'apparecchio. Utilizzare solo parti e accessori originali.
- Questo apparecchio non deve essere utilizzato da persone con capacità fisiche, sensoriali o mentali ridotte o da persone che hanno una mancanza di esperienza e conoscenze.
- Questo apparecchio non deve, in nessun caso, essere utilizzato dai bambini.
- Tenere l'apparecchio e il suo cavo di alimentazione fuori dalla portata dei bambini.
- **ATTENZIONE:** spegnere SEMPRE l'apparecchio e scollegarlo dalla presa di corrente prima della pulizia, della manutenzione o della conservazione.

Norme speciali di sicurezza

- Questo apparecchio deve essere gestito esclusivamente da personale qualificato.
- Non posizionare l'apparecchio su una fonte di calore (benzina, elettrico, fornello a carbone, ecc.) Tenere l'apparecchio lontano da superfici calde e fiamme libere.
- Non utilizzare l'apparecchio vicino a materiali esplosivi o infiammabili, carte di credito, dischi magnetici o radio.
- Utilizzare sempre l'apparecchio su una superficie piana, stabile, pulita, resistente al calore e asciutta.
- Non utilizzare questo apparecchio per mezzo di un timer esterno o di un sistema di controllo remoto.
- Non bypassare mai le serrature di sicurezza e gli interruttori dell'apparecchio.
- **ATTENZIONE:** tenere tutte le aperture di ventilazione nell'apparecchio prive di ostruzioni.
- **AVVERTIMENTO!** Tenere sempre mani, capelli e vestiti lontano dalle parti mobili.
- Lasciare almeno 15 cm di spazio intorno all'apparecchio durante l'uso a scopo di ventilazione.
- **Attenzione!** Instradare in modo sicuro il cavo di alimentazione al fine di evitare la trazione involontaria o il contatto con la superficie di riscaldamento.
- Non lavare il corpo dell'apparecchio con acqua o un getto d'acqua. Il lavaggio con acqua può causare perdite, aumentando il rischio di scosse elettriche.
- Non pulire o conservare l'apparecchio fino a quando non è completamente raffreddato.
- Non spostare l'apparecchio durante il funzionamento. Scollegare l'apparecchio durante lo spostamento e tenerlo nella parte inferiore.
- Non utilizzare l'apparecchio senza contenuto per evitare il surriscaldamento.
- Non azionare mai l'apparecchio senza coperchio e piastra rotante installati.
- Non tutte le parti sono lavabili in lavastoviglie.

Uso previsto

- Questo apparecchio è destinato ad un uso professionale e può essere utilizzato solo da personale qualificato.
- Questo apparecchio è progettato esclusivamente per pelare patate per uso commerciale. Qualsiasi altro uso può causare danni all'apparecchio o

lesioni personali.

- Il funzionamento dell'apparecchio per qualsiasi altro scopo è considerato un uso improprio del dispositivo. L'utente è l'unico responsabile per l'uso improprio del dispositivo.

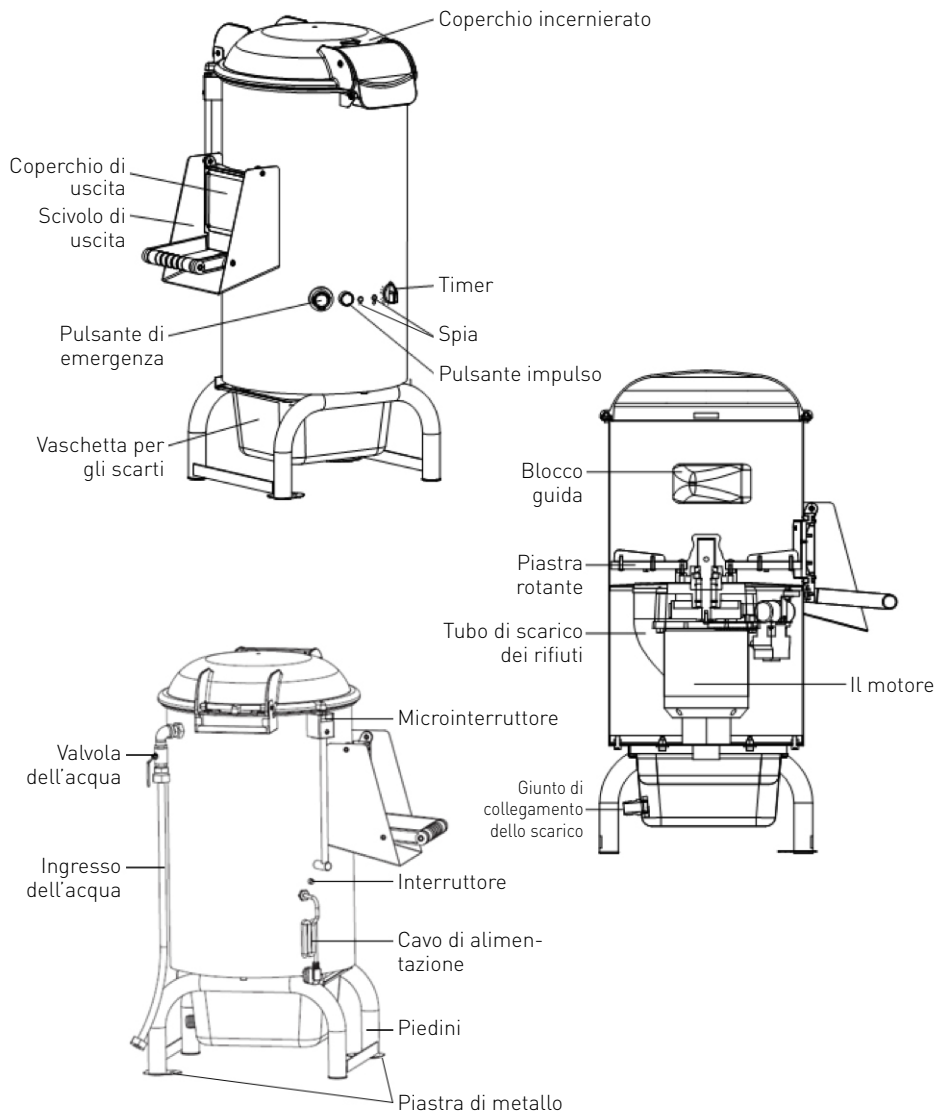


Installazione di messa a terra

Questo apparecchio è classificato come **classe di protezione I** e deve essere collegato a un terreno di protezione. La messa a terra riduce il rischio di scosse elettriche fornendo un filo di fuga per la corrente elettrica. Questo apparecchio è dotato di

un cavo di alimentazione che ha un cavo di messa a terra e una spina messa a terra. La spina deve essere collegata a una presa correttamente installata e messa a terra.

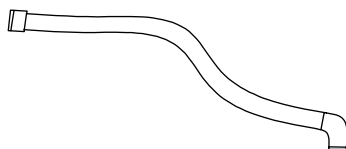
Descrizione del prodotto



Accessori



Bullone di espansione

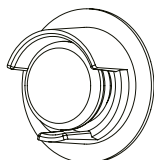


Tubo di scarico
(vaschetta per gli scarti)



Fascetta stringitubo

Pannello di controllo



1



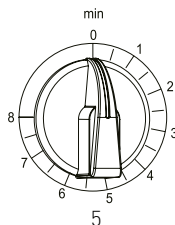
2



3



4



5

1) Pulsante di emergenza

- In caso di emergenza (ad es. blocco, vibrazioni o rumori anomali, ecc.), premere immediatamente il pulsante. L'apparecchio si ferma. Tutti gli altri pulsanti/interruttori sono disattivati fino al ripristino del pulsante di emergenza.

Nota: Per ripristinare il pulsante di emergenza, ruotarlo in senso orario, finché non fuoriesce nella posizione iniziale.

2) Pulsante impulso

- Utilizzarlo per scaricare le patate pelate.

Nota: Non premere il pulsante impulso durante l'operazione di pelatura.

3) Spia di accensione

- La spia è accesa quando l'apparecchio è collegato alla rete elettrica e acceso.

4) Spia di funzionamento

- La spia è accesa mentre il motore è in funzione.

5) Manopola del timer

- Ruotare la manopola del timer sul tempo di funzionamento desiderato (0-8 minuti) per avviare la macchina.

Preparazioni prima dell'installazione

- Rimuovere tutti gli imballaggi protettivi e l'imballaggio.
- Controllare i danni al trasporto dell'apparecchio. Assicurarsi che tutte le parti siano fornite. In caso di consegna incompleta (es. tubo di scarico, fascetta stringitubo, bullone di espansione) o danni, contattare immediatamente il fornitore. NON utilizzare l'apparecchio. (Vedere; Garanzia).

- Pulire l'apparecchio prima dell'uso (vedere; Pulizia e manutenzione).
- Assicurarsi che l'apparecchio sia completamente asciutto.
- Conservare la confezione se si intende riporre l'elettrodomestico in futuro.

IT

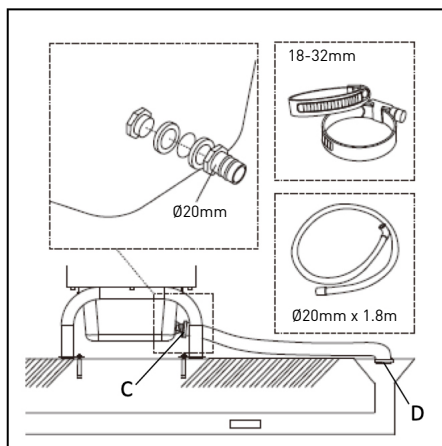
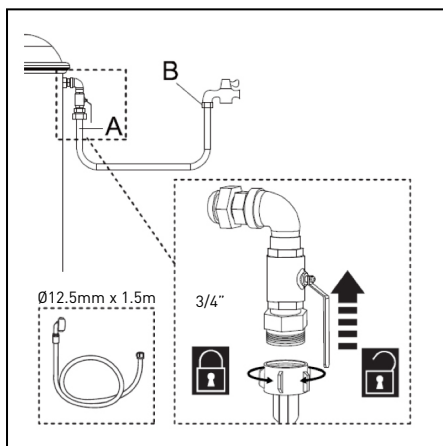


Installazione

- Assicurarsi che la macchina sia posizionata in una zona asciutta e che la superficie sia livellata e abbia una resistenza sufficiente a sostenere la macchina.
- Assicurarsi che l'alimentazione elettrica corrisponda all'etichetta di classificazione sulla macchina.
- Assicurarsi che non ci siano ostacoli nelle vicinanze.

- **CAUTELA!** Non bypassare mai le serrature di sicurezza e gli interruttori dell'apparecchio.
- Assicurarsi che i tasselli ad espansione (in dotazione) siano installati sulle piastre metalliche (sui piedini) per fissare l'apparecchio.
- In ogni caso, l'installazione deve essere eseguita tenendo conto delle normative vigenti in materia di sicurezza industriale.

Collegamento alla rete idrica e di scarico

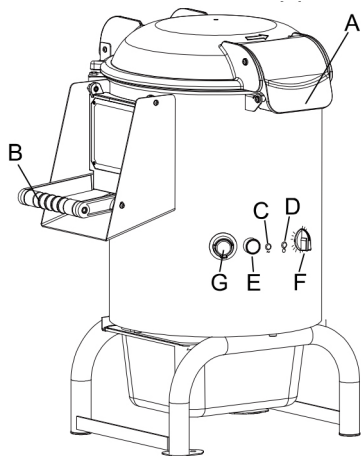


- 1) Collegare alla rete idrica tramite il tubo in dotazione ($\varnothing 12,5$ mm x 150 cm) e raccordi da 3/4". Procedere nel modo seguente:
 - I. Collegare il tubo all'ingresso posto sul retro della macchina (posizione A).
 - II. Collegare l'altra estremità del tubo alla rete idrica (posizione B).
 - III. L'apparecchio include una valvola per l'acqua per controllare comodamente il flusso dell'acqua.

- 2) Collegare al sistema di scarico tramite il tubo in dotazione ($\varnothing 25$ mm x 180 cm) e fascette stringitubo. Procedere nel modo seguente:
 - I. Mettere le fascette stringitubo sul tubo.
 - II. Collegare il tubo al raccordo della vaschetta per gli scarti (posizione C) e fissarlo con le fascette stringitubo.
 - III. L'altra estremità del tubo di scarico è inserita nel sistema di scarico (posizione D).

Operazione

Attenzione: Questo apparecchio è dotato di un sistema di sicurezza che ne impedisce il funzionamento se il coperchio non è posizionato correttamente.



- 1) Aprire il coperchio trasparente tirando la maniglia A fino allo scatto di apertura.
- 2) Inserire la piastra rotante e caricare la vasca con il prodotto da lavorare.
- 3) Bloccare il coperchio e assicurarsi che lo sportello di uscita B sia bloccato.
- 4) Collegare l'alimentazione dell'acqua e attivare la valvola dell'acqua. Assicurarsi che l'acqua entri. (vedere "Collegamento alla rete idrica e al sistema di scarico").
- 5) Accendere l'alimentazione elettrica. La spia di accensione C si accende.
- 6) Avviare la macchina ruotando il timer F sulla durata del ciclo di lavoro desiderata, si accenderà la spia di funzionamento D.

- 7) Al raggiungimento del tempo impostato, la macchina si arresterà automaticamente e la spia di funzionamento si spegnerà.
- 8) Aprire lo sportello di uscita B dopo aver preparato un contenitore. Quindi premere il pulsante a impulsi E per ruotare il disco. Nel frattempo tenere lo sportello di uscita finché non saranno uscite tutte le patate.

PERICOLO — PRECAUZIONE: Non mettere mai la mano all'interno dello sportello di uscita. In caso di incidente, premere immediatamente il pulsante di emergenza.

ATTENZIONE! L'apparecchio non deve essere utilizzato senza carico.

NOTA: Ad ogni ciclo rimuovere la piastra di pelatura e controllare che il tubo di scarico dei rifiuti non sia ostruito.

NOTA: L'apparecchio è dotato di due interruttori di sicurezza.

- a) L'interruttore reed è dotato di un meccanismo magnetico. L'apparecchio si arresta automaticamente all'apertura del coperchio superiore o del coperchio di uscita durante il funzionamento.
- b) L'interruttore di protezione da sovracorrente (interruttore automatico) è progettato per proteggere il circuito elettrico da danni causati da sovracorrente a causa di un sovraccarico o di un cortocircuito. L'interruttore interrompe il flusso di corrente dopo il rilevamento di un guasto.

Nota: Per ripristinare l'interruttore, premerlo dopo che il problema è stato risolto.

Importante

• **Avvertimento!** Non inserire mai le mani nell'apparecchio durante il funzionamento.

- Non utilizzare oggetti in legno/metallo o plastica per raschiare gli ingredienti.
- Non usare mai patate congelate.



Pulizia e Manutenzione

Attenzione: scollegare sempre l'apparecchio dalla presa elettrica e lasciarlo raffreddare completamente prima di pulirlo e riporlo.

Pulizia

- Pulire l'apparecchio prima e dopo ogni utilizzo.
- Non immergere mai l'apparecchio in acqua o altri liquidi.
- Pulire la superficie esterna raffreddata con un panno leggermente umido o una spugna con una soluzione di sapone neutro.
- Assicurarsi di pulire il coperchio superiore (compresa la guarnizione), lo scivolo di uscita e le vaschette. Asciugare con un panno morbido e asciutto.
- Aprire il coperchio superiore e rimuovere la piastra di pelatura dalla camera di pelatura. Pulire la piastra di pelatura e l'interno della camera di pelatura con una spazzola adatta. Sciacquarle poi con acqua pulita.
- Non utilizzare mai spugne abrasive o detersivi, lana d'acciaio o utensili metallici per pulire le parti interne o esterne dell'apparecchio.
- Se l'apparecchio è inattivo per un lungo periodo di tempo, assicurarsi di lubrificare tutto il metallo prima dell'uso.

Stoccaggio

- Conservare l'apparecchio in un luogo fresco, pulito e asciutto.
- Pulire l'esterno della macchina almeno una volta al mese con un panno morbido inumidito e, se necessario, un po' di detersivo delicato.

Risoluzione dei problemi

Se l'apparecchio non funziona correttamente, consultare la tabella sottostante per trovare le possibili soluzioni. Se il problema non viene risolto da una di queste soluzioni, contattare il fornitore/fornitore di servizi.

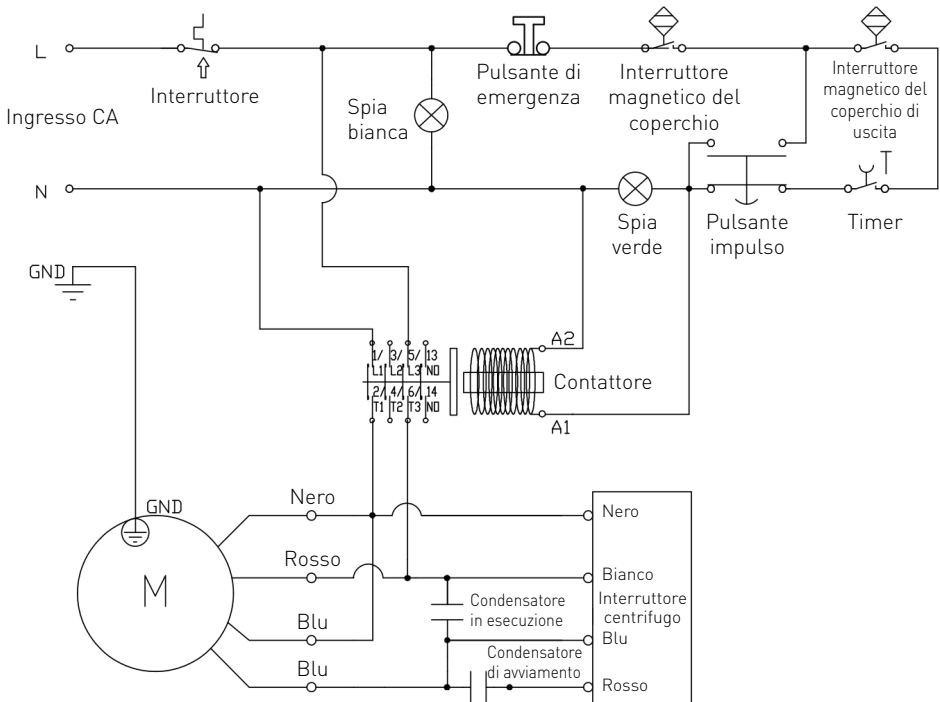
Problema	Soluzione
L'accessorio non si avvia	Assicurati che sia collegato.
	Assicurarsi che l'interruttore di sicurezza sia chiuso.
	Assicurati che il pulsante di emergenza non sia attivato.
	Se il problema si verifica dopo un lungo periodo di uso intensivo, il motore potrebbe essersi surriscaldato. Attendere almeno 20 minuti e riprovare. Se si mette l'apparecchio in un luogo fresco, questo ridurrà il tempo di attesa.

Specifiche tecniche

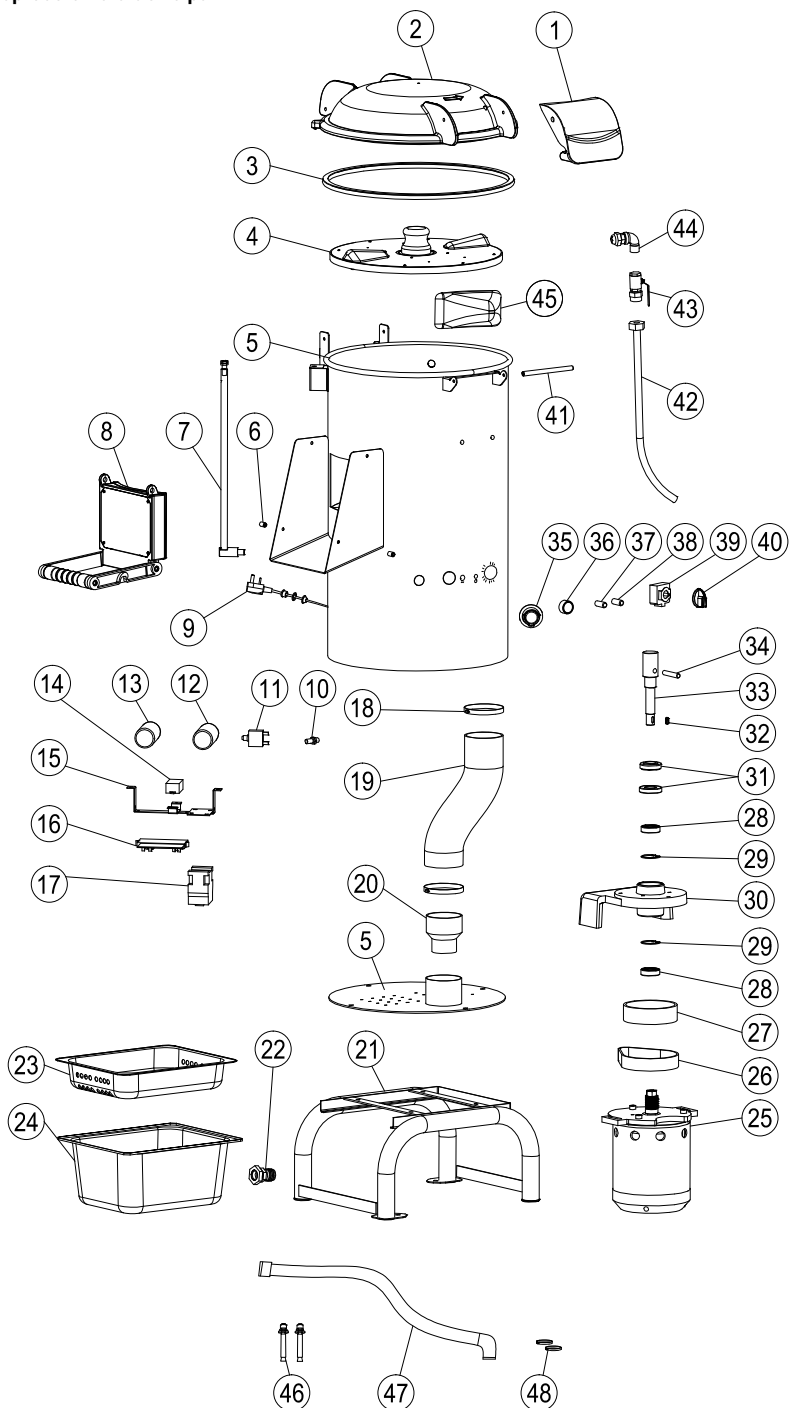
Articolo n.	229200	229217	229224
Tensione e frequenza di esercizio	230V- 50Hz		
Consumo energetico nominale	550W	750W	1100W
Dimensioni	540x622x(h)802mm	540x622x(h)857mm	540x622x(h)997mm
Capacità	5kg / 12L	10kg / 22L	18kg / 28L
Livello di pressione sonora di emissione ponderato A	> 70dB(A)		
Classe di protezione	Classe I		
Classe impermeabile	IP23		
Peso netto	39,2kg	39,6kg	42,4kg

Nota: Le specifiche tecniche sono soggette a modifiche senza preavviso.

Schema del circuito



Disegno esplosivo e lista delle parti



Pezzo n.	Nome del pezzo	Pezzo n.	Nome del pezzo
1	Piastra di bloccaggio	25	Il motore
2	Coperchio incernierato	26	Cinghia
3	Anello di tenuta	27	Ruota della cinghia
4	Disco abrasivo	28	6004 Cuscinetto
5	Cilindro in acciaio inox	29	Anello elastico tipo C
6	Perno sporgente	30	Scheda fissaggio motore Motor
7	Tubo metallico	31	Anello di tenuta
8	Coperchio di uscita	32	Chiave piatta
9	Cavo di alimentazione	33	Albero di uscita
10	Microinterruttore	34	Perno a posizione fissa
11	Interruttore	35	Pulsante di emergenza
12	Condensatore in esecuzione	36	Pulsante impulso
13	Condensatore di avviamento 150uF	37	Spia bianca
14	Interruttore centrifugo	38	Spia verde
15	Staffa della PCB	39	Timer
16	Pannello PCB	40	Manopola del timer
17	Contattore	41	Perno a baionetta
18	Fascetta stringitubo	42	Tubo flessibile
19	Tubo di scarico dei rifiuti	43	Valvola dell'acqua
20	Giunto per tubo di scarico	44	Connettore a L
21	Staffa di supporto	45	Blocco guida
22	Giunto di collegamento dello scarico	46	Bullone di espansione
23	Vaschetta setaccio	47	Tubo di scarico (vaschetta per gli scarti)
24	Vaschetta per gli scarti	48	Fascetta stringitubo



Garanzia

Qualsiasi difetto che influenza la funzionalità del dispositivo che compaia entro un anno dall'acquisto sarà corretto a titolo interamente gratuito o con la sostituzione del prodotto che è stato utilizzato e sottoposto a manutenzione corretta seguendo le istruzioni, senza alcuna violazione. I diritti legali del cliente non sono assolutamente modificati. Nel caso in cui l'intervento di manutenzione o sostitu-

zione sia previsto nel periodo di validità della garanzia, precisare dove e quando si è acquistato il prodotto, possibilmente allegando lo scontrino.

In linea con la nostra politica di sviluppo continuo dei prodotti, ci riserviamo il diritto di modificare il prodotto, l'imballo e le specifiche di documentazione, senza notifica alcuna.

Smaltimento e protezione dell'ambiente

In caso di ritiro dell'apparecchiatura dal funzionamento il prodotto non può essere smaltito con altri rifiuti domestici. L'utente è responsabile della consegna dell'attrezzatura al punto di raccolta appropriato per l'attrezzatura usata. Il mancato rispetto delle disposizioni sopramenzionate può comportare l'imposizione di sanzioni in conformità con le normative vigenti in materia di smaltimento dei rifiuti. La raccolta e il riciclaggio selettivi di attrezzature usate contribuiscono alla conservazione delle risorse naturali e garantiscono il riciclaggio

in modo tale da non nuocere alla salute e all'ambiente.

Per ulteriori informazioni sui luoghi di smaltimento delle apparecchiature usate per il riciclaggio, contattare la società locale di raccolta dei rifiuti. Il produttore e l'importatore non sono responsabili per il riciclaggio e il trattamento dei rifiuti in modo ecologico, sia direttamente che nel quadro del sistema pubblico.

Stimate client,

Vă mulțumim pentru achiziționarea acestui aparat HENDI. Citiți cu atenție acest manual, acordând o atenție deosebită reglementărilor de siguranță prezentate mai jos, înainte de a instala și utiliza acest aparat pentru prima dată.

Regulile de siguranță

- Acest aparat nu este destinat uzului casnic.
- Utilizați aparatul numai în scopul pentru care a fost proiectat conform descrierii din acest manual.
- Producătorul nu este răspunzător pentru nici o deteriorare cauzată de funcționarea incorectă și de utilizarea necorespunzătoare.
- Păstrați aparatul și ștecherul departe de apă și de alte lichide. În cazul în care aparatul cade în apă, scoateți imediat ștecherul de alimentare din priză. Nu utilizați aparatul înainte de verificarea acestuia de către un tehnician certificat. Nerespectarea acestor instrucțiuni va cauza riscuri care pun viața în pericol.
- Nu încercați niciodată să deschideți singur carcasa aparatului.
- Nu introduceți obiecte în carcasa aparatului.
- Nu atingeți ștecherul cu mâinile umede sau umede.
- ⚡ **Pericol de șoc electric!** Nu încercați să reparați singur aparatul, reparațiile trebuie efectuate numai de personal calificat.
- **Nu folosiți niciodată un aparat deteriorat!** Când este deteriorat, deconectați aparatul de la priză și contactați distribuitorul.
- **Avertisment!** Nu scufundați părțile electrice ale aparatului în apă sau alte lichide.
- Nu țineți niciodată aparatul sub jet de apă.
- Verificați cu regularitate ștecherul și cablul de alimentare pentru orice deteriorare. În cazul deteriorării, acesta trebuie înlocuit de un agent de service sau de o persoană calificată în mod similar, pentru a evita pericolul sau rănirea.
- Asigurați-vă că cablul nu intră în contact cu obiecte ascuțite sau fierbinți și păstrați-l departe de focul deschis. Nu trageți niciodată cablul de alimentare pentru a-l deconecta de la priză, trageți întotdeauna ștecherul în schimb.
- Asigurați-vă că cablul de alimentare și/sau cablul prelungitor nu provoacă pericol de deplasare.
- Nu lăsați niciodată aparatul nesupravegheat în timpul utilizării.
- **Avertisment!** Atâta timp cât ștecherul este în priză, aparatul este conectat la sursa de alimentare.
- Opriți aparatul înainte de a-l deconecta de la priză.
- Conectați ștecherul la o priză electrică ușor accesibilă, astfel încât, în caz de urgență, aparatul să poată fi deconectat imediat.
- Nu purtați niciodată aparatul de cablu.
- Nu utilizați dispozitive suplimentare care nu sunt furnizate împreună cu aparatul.
- Conectați aparatul numai la o priză electrică cu tensiunea și frecvența menționate pe eticheta aparatului.

RO



- Nu folosiți niciodată alte accesorii decât cele recomandate de producător. Nerespectarea acestui lucru ar putea reprezenta un risc de siguranță pentru utilizator și ar putea deteriora aparatul. Utilizați numai piese originale și accesorii.
- Acest aparat nu trebuie operat de persoane cu capacități fizice, senzoriale sau mentale reduse sau de persoane care au o lipsă de experiență și cunoștințe.
- Acest aparat nu ar trebui, în nici un caz, să fie utilizat de copii.
- Nu lăsați aparatul și cablul de alimentare la îndemâna copiilor.
- **AVERTISMENT:** Opriti întotdeauna aparatul și deconectați de la priză înainte de curățare, întreținere sau depozitare.

Regulamente speciale de siguranță

- Acest aparat trebuie operat numai de personal instruit.
- Nu așezați aparatul pe o sursă de căldură (benzină, electric, aragaz cu cărbune etc.) Păstrați aparatul departe de orice suprafețe fierbinți și flăcări deschise.
- Nu folosiți aparatul în apropierea materialelor explozive sau inflamabile, a cardurilor de credit, a discurilor magnetice sau a radiourilor.
- Utilizați întotdeauna aparatul pe o suprafață plană, stabilă, curată, rezistentă la căldură și uscată.
- Nu folosiți acest aparat cu ajutorul unui temporizator extern sau al unui sistem de telecomandă.
- Nu ocoliți niciodată încuietori de siguranță și întrerupătoare de pe aparat.
- **AVERTISMENT:** Păstrați toate deschiderile de ventilație din aparat departe de obstrucție.
- **AVERTISMENT!** Țineți întotdeauna mâinile, părul și îmbrăcămintea departe de părțile în mișcare.
- Permiteți cel puțin 15 cm spațiu în jurul aparatului în timpul utilizării în scopuri de ventilație.
- **Atenție!** Trasați în siguranță cablul de alimentare pentru a preveni tragerea sau contactul neintenționat cu suprafața de încălzire.
- Nu spălați corpul aparatului cu apă sau cu jet de apă. Spălarea cu apă poate provoca scurgeri, ceea ce crește riscul de șoc electric.
- Nu curățați și nu depozitați aparatul până când acesta nu este complet răcit.
- Nu mișcați aparatul în timpul funcționării. Deconectați aparatul atunci când îl deplasați și țineți-l în partea de jos.
- Nu folosiți aparatul fără conținut pentru a evita supraîncălzirea.
- Nu utilizați niciodată aparatul fără a avea instalate clapeta și placa rotativă.
- Nu toate piesele se pot spăla în mașina de spălat vase.

Utilizare preconizată

- Acest aparat este destinat utilizării profesionale și poate fi operat numai de personal calificat.
- Acest aparat este conceput numai pentru decojirea cartofilor în uz comercial. Orice altă utilizare poate duce la deteriorarea aparatului sau la vătămarea corporală.
- Exploatarea aparatului în orice alt scop este considerată o utilizare abuzivă a dispozitivului. Utilizatorul este singurul responsabil pentru utilizarea necorespunzătoare a dispozitivului.

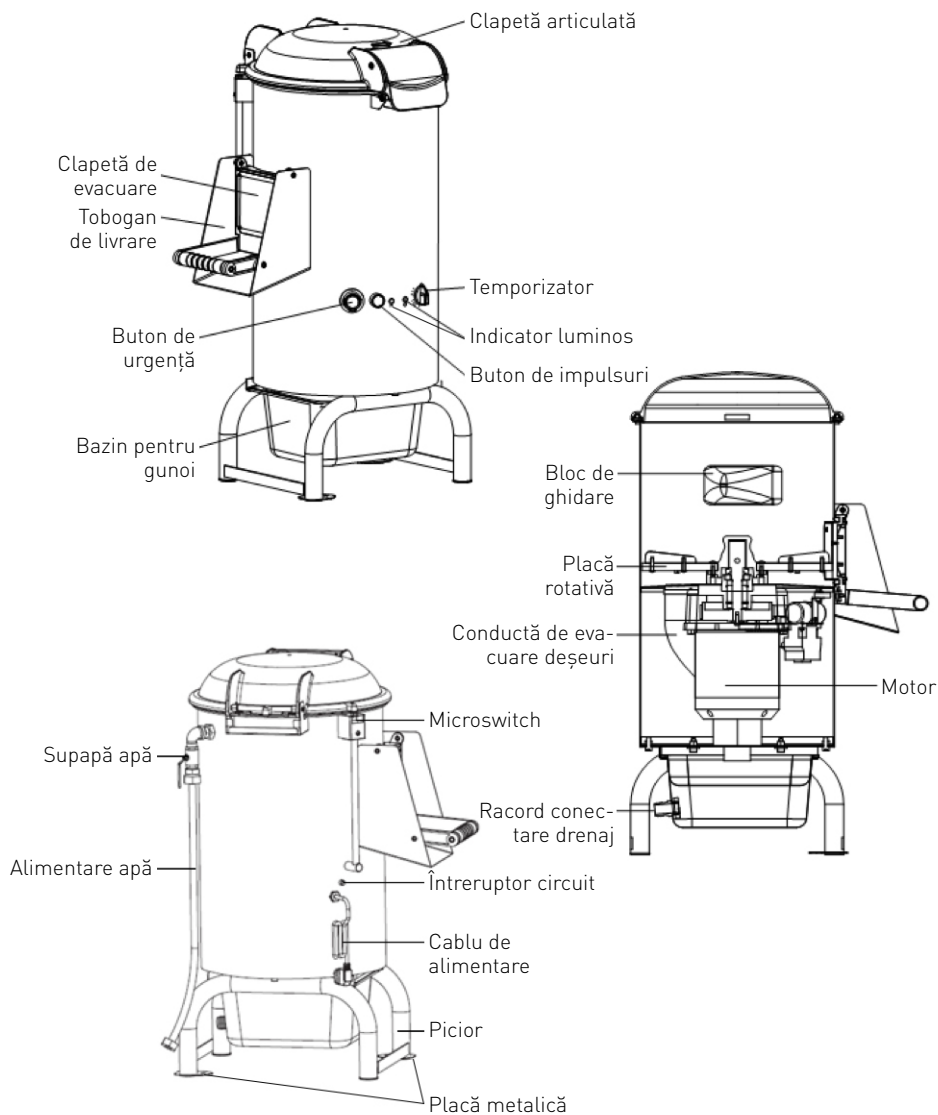


Instalare împământare

Acest aparat este clasificat ca **clasa de protecție I** și trebuie conectat la un sol de protecție. Împământarea reduce riscul de șoc electric prin furnizarea unui cablu de evacuare pentru curentul

electric. Acest aparat este echipat cu un cablu de alimentare care are un fir de împământare și ștecher cu împământare. Ștecherul trebuie conectat la o priză instalată și împământată corespunzător.

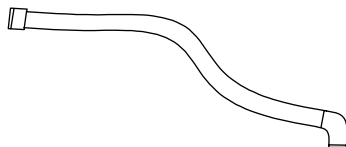
Descrierea produsului



Accesorii



Șurub de expansiune

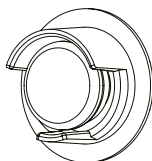


Furtun e drenaj
(bazin pentru gunoi)



Clemă de furtun

Panou de control



1



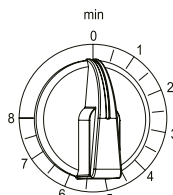
2



3



4



min

0

1

2

3

4

5

6

7

8

1) Buton de urgență

- În caz de urgență (de ex. blocaj, vibrații sau zgomote anormale, etc.) apăsați imediat butonul. Aparatul se oprește. Toate celelalte butoane/comutatoare sunt dezactivate până la resetarea butonului.

Notă: Pentru a reseta butonul de urgență, rotiți-l în sens orar până când acesta revine în poziția inițială.

2) Buton de impulsuri

- Se utilizează pentru descărcarea cartofilor decojiți.

Notă: Nu apăsați acest buton în timpul operației de decojire.

3) Indicator de pornire

- Indicatorul este aprins atunci când aparatul este conectat la rețea și este pornit.

4) Indicator de funcționare

- Indicatorul este aprins atunci când motorul este în funcțiune.

5) Buton temporizare

- Rotiți butonul temporizatorului la timpul de funcționare dorit (0-8 minute) pentru a porni aparatul.

Pregătiri înainte de instalare

- Îndepărtați toate ambalajele și ambalajele de protecție.
- Verificați daunele de transport ale aparatului. Asigurați-vă că toate piesele sunt furnizate. În caz de livrare incompletă (de exemplu, furtun e drenaj, clemă de furtun, șurub de expansiune) sau deteriorări, contactați imediat furnizorul. NU utilizați aparatul. (A se vedea; Garanție).

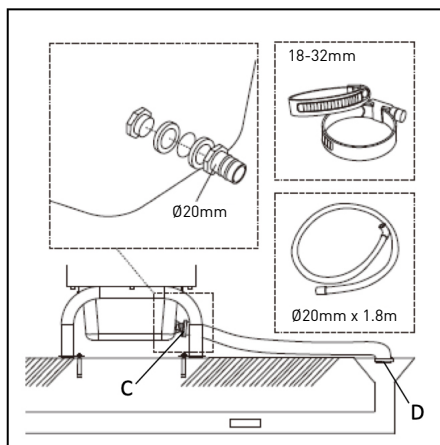
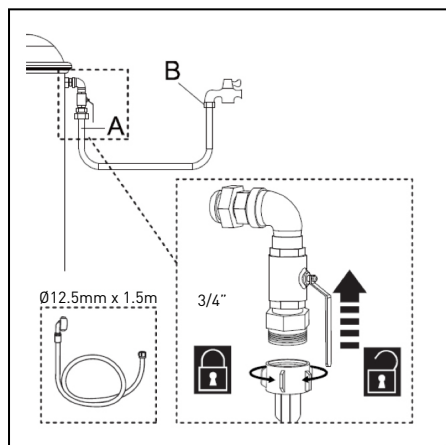
- Curățați aparatul înainte de utilizare (vezi; Curățare și întreținere).
- Asigurați-vă că aparatul este complet uscat.
- Păstrați ambalajul dacă intenționați să depozitați aparatul înăuntrul său pe viitor.

Instalare

- Asigurați-vă că mașina este așezată într-o zonă uscată și că suprafața este plană și are o rezistență suficientă pentru a susține utilajul.
- Asigurați-vă că sursa de alimentare electrică corespunde cu eticheta nominală de pe mașină.
- Asigurați-vă că nu există obstacole în apropiere.
- **ATENȚIE!** Nu ocoliți niciodată încuietori de siguranță și întrerupătoare de pe aparat.

- Asigurați-vă că bolțurile de expansiune (livrate) sunt montate pe plăcile metalice (de pe picioare) pentru fixarea aparatului.
- În orice situație, instalarea trebuie efectuată cu respectarea tuturor regulilor de siguranță industrială aflate în vigoare.

Conectarea la sursa de alimentare cu apă și la sistemul de drenaj



RO

1) Conectați aparatul la sursa de apă prin intermediul furtunului ($\varnothing 12.5 \text{ mm} \times 150 \text{ cm}$) și a racordurilor de $3/4''$ livrate. Procedați după cum urmează:

- I. Conectați furtunul la orificiul de intrare de pe spatele aparatului (locația A).
- II. Conectați celălalt capăt al furtunului la sursa de alimentare cu apă (locația B).
- III. Aparatul include o supapă de apă pentru controlul convenabil al debitului de apă.

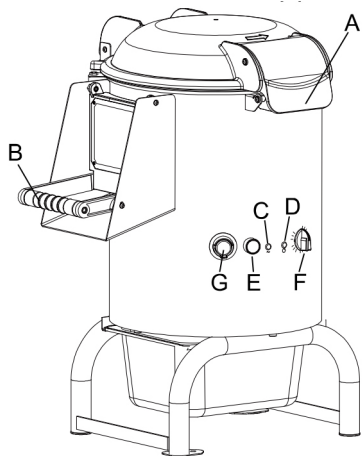
2) Conectați aparatul la sistemul de drenaj prin intermediul furtunului ($\varnothing 25 \text{ mm} \times 180 \text{ cm}$) și a bridelor de prindere livrate. Procedați după cum urmează:

- I. Montați bridele pe furtun.
- II. Conectați furtunul la racordul bazinului de gunoi (locația C) și fixați-l cu bridele.
- III. Celălalt capăt al furtunului este introdus în sistemul de drenaj (locația D).



Funcționare

Atenție: Acest aparat are un sistem de siguranță care asigură că funcționarea nu este pornită până când clapeta nu este plasată corect.



- 1) Deschideți clapeta transparent trăgând de mânerul A până când acesta se deschide cu un clic.
- 2) Introduceți placa rotativă și încărcăți rezervorul cu produsele care trebuie prelucrate.
- 3) Blocați clapeta și asigurați-vă că ușa de evacuare B este blocată.
- 4) Conectați alimentarea cu apă și porniți supapa de apă. Asigurați-vă că aveți flux de apă. (A se vedea „Conectarea la sursa de alimentare cu apă și la sistemul de drenaj”).
- 5) Porniți sursa de alimentare cu energie electrică. Indicatorul de pornire C se aprinde.
- 6) Porniți aparatul prin rotirea temporizatorului F la timpul de ciclu solicitat, indicatorul de funcționare se va aprinde.

- 7) Când timpul setat este atins, aparatul se va opri în mod automat și indicatorul de funcționare se va stinge.
- 8) Deschideți ușa de evacuare B după ce în prealabil ați pregătit un container. Apoi apăsați butonul de impulsuri E pentru a roti discul. În acest timp rețineți ușa de evacuare până la evacuarea completă a cartofilor.

PERICOL — ATENȚIE: Nu introduceți mâna în interiorul ușii de evacuare. Dacă se produce un accident, apăsați imediat butonul de urgență.

AVERTISMENT! Nu utilizați aparatul fără încărcătură.

NOTĂ: Scoateți placa de decojire și verificați conducta de evacuare a deșeurilor de blocaje la fiecare ciclu.

NOTĂ: Aparatul este echipat cu două comutatoare de siguranță.

- a) Comutatorul lamelar este echipat cu un mecanism magnetic. Aparatul se oprește automat atunci când clapeta superioară sau clapeta de evacuare sunt deschise pe durata funcționării.
- b) Comutatorul de protecție la supracurent (întreruptor de circuit) este proiectat să protejeze circuitul electric de daune provocate de curentul în exces provocat de o suprasarcină sau de un scurt-circuit. Comutatorul întrerupe fluxul de curent după detectarea unei defecțiuni.

Notă: Pentru a reseta comutatorul, apăsați-l până când problema este rezolvată.

Important

- **Avertisment!** Nu introduceți niciodată mâinile în aparat în timpul funcționării.
- Nu utilizați obiecte din lemn/metal pentru a răzui ingredientele.
- Nu utilizați niciodată cartofi congeलाți.

Curățare și întreținere

Atenție: Deconectați întotdeauna aparatul de la priza electrică și lăsați-l să se răcească complet înainte de curățare și depozitare.

Curățenie

- Curățați aparatul înainte de fiecare utilizare.
 - Nu scufundați niciodată aparatul în apă sau alte lichide.
 - Curățați suprafața exterioară răcită cu o cârpă sau un burete ușor umed, cu o soluție ușoară de săpun.
 - Curățați întotdeauna clapeta superioară (inclusiv garnitura de etanșare), toboganul de livrare și bazinele. Uscați cu o lavetă moale uscată.
 - Deschideți clapeta superioară și scoateți placa de decojire din compartimentul de decojire.
- Curățați placa de decojire și interiorul compartimentului de decojire cu o perie adecvată. Clățiți apoi cu apă curată.
- Nu folosiți niciodată bureți abrazivi sau detergenți, vată de oțel sau ustensile metalice pentru a curăța părțile interioare sau exterioare ale aparatului.
 - Dacă aparatul este inactiv pentru o perioadă lungă de timp, asigurați-vă că lubrifiați tot metalul înainte de utilizare.

Depozit

- Depozitați aparatul într-un loc răcoros, curat și uscat.
- Ștergeți aparatul la exterior cu o lavetă moale și umedă cel puțin o dată pe lună și dacă este necesar, cu puțin detergent slab.

Depanare

Dacă aparatul nu funcționează corect, verificați tabelul de mai jos pentru a găsi soluții posibile. Dacă problema dvs. nu este rezolvată de una dintre aceste soluții, vă rugăm să contactați furnizorul/furnizorul de servicii.

Problemă	Soluție
Aparatul nu pornește	Asigurați-vă că este conectat.
	Asigurați-vă că întrerupătorul circuitului de siguranță este închis.
	Asigurați-vă că butonul de urgență nu este declanșat.
	Dacă problema apare după o perioadă lungă de utilizare intensivă, motorul poate fi supraîncălzit. Așteptați cel puțin 20 de minute și încercați din nou. Dacă puneți aparatul într-un loc răcoros, acest lucru va reduce timpul de așteptare.

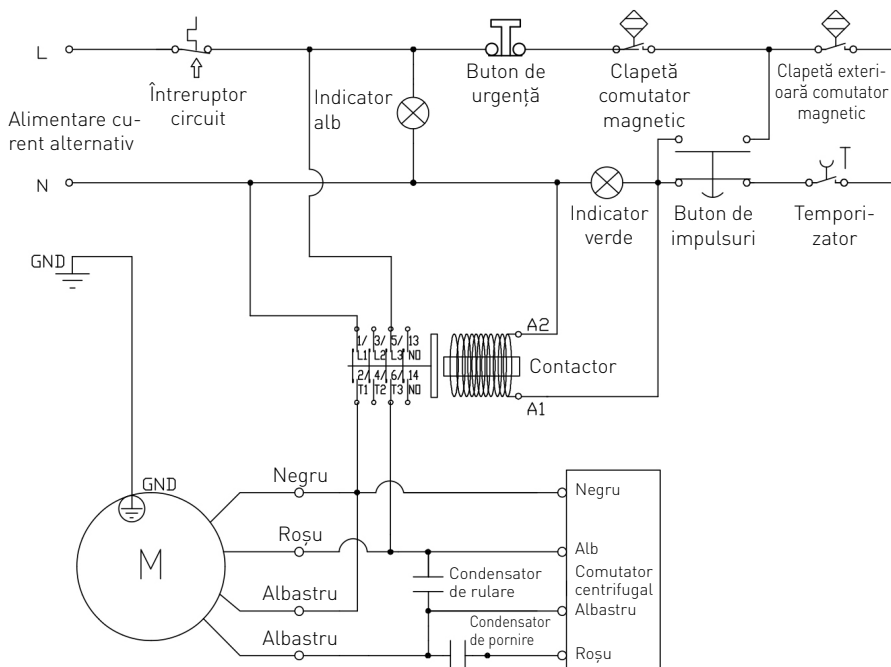


Specificația tehnică

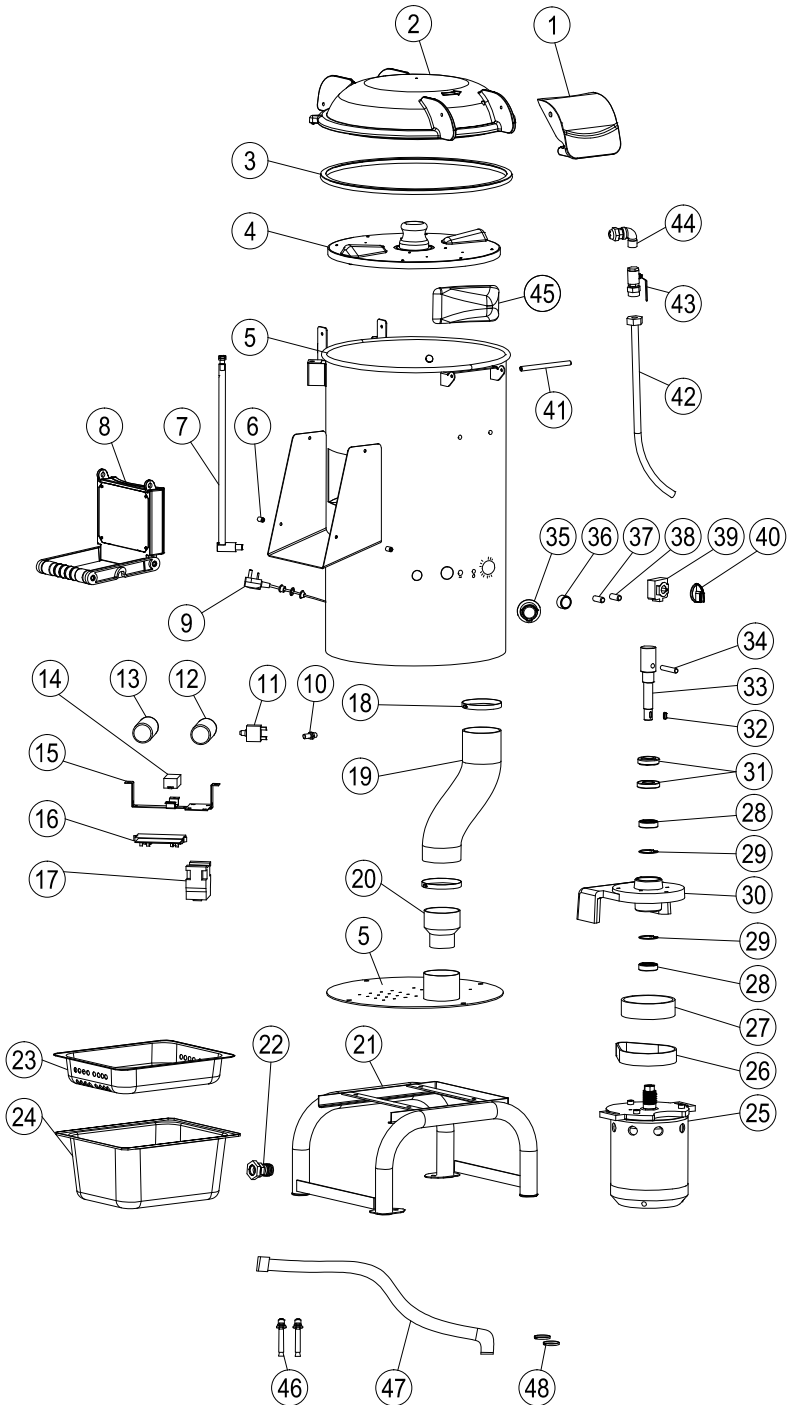
Articol nr.	229200	229217	229224
Tensiune și frecvență de funcționare	230V~ 50Hz		
Consum nominal de putere	550W	750W	1100W
Dimensiuni	540x622x(h)802mm	540x622x(h)857mm	540x622x(h)997mm
Capacitate	5kg / 12L	10kg / 22L	18kg / 28L
Nivel de presiune acustică ponderat A	> 70dB(A)		
Clasa de protecție	Clasa I		
Clasă impermeabilă	IP23		
Greutate netă	39,2kg	39,6kg	42,4kg

Observație: Specificația tehnică poate fi modificată fără preaviz.

Diagrama circuitului



Desen explodat și listă de piese



Piesă nr.	Denumirea piesei	Piesă nr.	Denumirea piesei
1	Placă de blocare	25	Motor
2	Clapetă articulată	26	Curea
3	Inel etanșare	27	Roată curea
4	Disc abraziv	28	6004 Rulment
5	Cilindru S/S	29	Șaibă de siguranță tip C
6	Știft proeminent	30	Placă fixare motor
7	Conductă cablu	31	Inel etanșare
8	Clapetă de evacuare	32	Cheie plată
9	Cablu de alimentare	33	Ax ieșire
10	Microswitch	34	Știft poziție fixă
11	Întrepruptor circuit	35	Buton de urgență
12	Condensator de rulare	36	Buton de impulsuri
13	Condensator de pornire de 150uF	37	Indicator alb
14	Comutator centrifugal	38	Indicator verde
15	Colier PCB	39	Temporizator
16	Panou PCB	40	Buton temporizator
17	Contactator	41	Știft pentru îmbinare în baionetă
18	Clemă de furtun	42	Furtun
19	Conductă de evacuare deșeuri	43	Supapă apă
20	Cuplarea conductei de refulare	44	Conector tip L
21	Braț de suport	45	Bloc de ghidare
22	Racord conectare drenaj	46	Șurub de expansiune
23	Chiuveță cu sită	47	Furtun e drenaj (bazin pentru gunoi)
24	Bazin pentru gunoi	48	Clemă de furtun

Garanție

Orice defecțiune care afectează funcționarea aparatului apărută la mai puțin de un an de la cumpărarea acestuia va fi remediată prin reparație sau înlocuire gratuită, cu condiția ca aparatul să fi fost folosit și întreținut conform instrucțiunilor nu să nu fi fost bruscat sau folosit necorespunzător în vreun fel. Drepturile dumneavoastră legale nu sunt afec-

tate. Dacă aparatul este în garanție, menționați când și de unde a fost cumpărat și includeți dovada cumpărării (de ex. chitanța).

Conform politicii noastre de dezvoltare continuă a produsului, ne rezervăm dreptul de a modifica produsul, ambalajul și documentația fără notificare.

Eliminarea și mediul înconjurător


La dezafectarea aparatului, produsul nu trebuie aruncat împreună cu alte deșeuri menajere. În schimb, este responsabilitatea dumneavoastră să eliminați echipamentul uzat prin predarea acestuia la un punct de colectare desemnat. Nerespectarea acestei reguli poate fi penalizată în conformitate cu reglementările aplicabile privind eliminarea deșeurilor. Colectarea separată și reciclarea echipamentului dumneavoastră uzat la momentul debarasării contribuie la conservarea resurselor naturale și asigură realizarea reciclării într-un mod care protejează sănătatea ființelor umane și a mediului.

Pentru informații suplimentare privind modul în care puteți preda deșeurile dumneavoastră în scopul reciclării, vă rugăm să contactați compania locală de colectare a deșeurilor. Producătorii și importatorii nu își asumă responsabilitatea cu privire la reciclarea, tratarea și eliminarea ecologică a deșeurilor, fie direct, fie prin intermediul unui sistem public.



Благодарим Вас за покупку этого устройства Hendi. Внимательно прочитайте это руководство, обращая особое внимание на правила безопасности, изложенные ниже, перед установкой и использованием этого устройства в первый раз.

Правила безопасности

- Этот прибор не предназначен для домашнего использования.
- Используйте прибор только по назначению, для которого он был разработан, как описано в данном руководстве.
- Изготовитель не несет ответственности за любой ущерб, вызванный неправильной работой и неправильным использованием.
- Держите прибор и электрическую вилку подальше от воды и других жидкостей. В случае, если прибор попадает в воду, немедленно снимите вилку питания с розетки. Не используйте устройство до тех пор, пока оно не будет проверено сертифицированным техническим специалистом. Несоблюдение этих инструкций приведет к угрожающей жизни опасности.
- Никогда не пытайтесь открыть корпус прибора самостоятельно.
- Не вставляйте объекты в корпус прибора.
- Не прикасайтесь к вилке мокрыми или влажными руками.
-  **Опасность поражения электрическим током!** Не пытайтесь самостоятельно отремонтировать прибор, ремонт должен проводиться только квалифицированный персонал.
- **Никогда не используйте поврежденный прибор!** Когда устройство повреждено, отсоедините устройство от розетки и обратитесь к продавцу.
- **Предупреждение!** Не погружайте электрические части прибора в воду или другие жидкости.
- Никогда не удерживайте прибор под проточной водой.
- Регулярно проверяйте штекер питания и шнур на наличие повреждений. В случае повреждения его необходимо заменить сервисным агентом или лицом, имеющим аналогичную квалификацию, с тем чтобы избежать опасности или травм.
- Убедитесь, что шнур не соприкасается с острыми или горячими предметами и держите его подальше от открытого огня. Никогда не тяните шнур питания, чтобы отсоединить его от розетки, всегда тяните вилку вместо нее.
- Убедитесь, что шнур питания и/или удлинитель не вызывают опасности аварии.
- Никогда не оставляйте прибор без присмотра во время использования.
- **Предупреждение!** Пока штекер находится в розетке, прибор подключается к источнику питания.
- Выключите устройство, прежде чем отсоединить его от розетки.
- Подключите вилку питания к легкодоступной электрической розетке, чтобы в случае аварийной ситуации устройство можно было немедленно отключить.
- Никогда не носите прибор за шнур.

- Не используйте дополнительные устройства, которые не поставляются вместе с устройством.
- Подключите прибор только к электрической розетке с напряжением и частотой, указанными на этикетке устройства.
- Никогда не используйте аксессуары, кроме тех, которые рекомендованы производителем. Невыполнение этого требования может представлять опасность для безопасности пользователя и привести к повреждению устройства. Используйте только оригинальные детали и аксессуары.
- Этот прибор не должен эксплуатироваться лицами с ограниченными физическими, сенсорными или умственными возможностями, или лицами, не имеющими опыта и знаний.
- Этот прибор ни при каких обстоятельствах не должен использоваться детьми.
- Держите устройство и его шнур питания в недоступном для детей месте.
- **ПРЕДУПРЕЖДЕНИЕ:** ВСЕГДА выключите устройство и отключите розетку от розетки перед очисткой, обслуживанием или хранением.

Специальные правила безопасности

- Этот прибор должен эксплуатироваться только квалифицированным персоналом.
- Не помещайте прибор на источник тепла (бензин, электрический, древесный уголь и т.д.) Держите прибор подальше от любых горячих поверхностей и открытого пламени.
- Не используйте прибор рядом со взрывчатыми или горючими материалами, кредитными картами, магнитными дисками или радиостанциями.
- Всегда используйте прибор на ровной, стабильной, чистой, жаростойкой и сухой поверхности.
- Не используйте этот прибор с помощью внешнего таймера или системы дистанционного управления.
- Никогда не обходите никаких защитных замков и выключателей прибора.
- **ПРЕДУПРЕЖДЕНИЕ:** Держите все вентиляционные отверстия в приводе свободными от препятствий.
- **ПРЕДУПРЕЖДЕНИЕ!** ВСЕГДА держите руки, волосы и одежду подальше от движущихся частей.
- Во время использования в вентиляционных целях оставьте пространство не менее 15 см вокруг прибора.
- **Осторожно!** Надежно направляйте шнур питания для предотвращения непреднамеренного потяжения или контакта с нагревательной поверхностью.
- Не мойте корпус прибора водой или водоструем. Мытье водой может привести к утечке, что повышает риск поражения электрическим током.
- Не очищайте и не храните прибор, пока он не будет полностью охлажден.
- Не перемещайте прибор во время работы. Отключите прибор при перемещении и удерживайте его в нижней части.
- Не используйте прибор без содержимого, чтобы избежать перегрева.
- Никогда не используйте устройство без крышки и поворотной пластины.



- Никакие детали устройства нельзя мыть в посудомоечной машине.

Предполагаемое использование

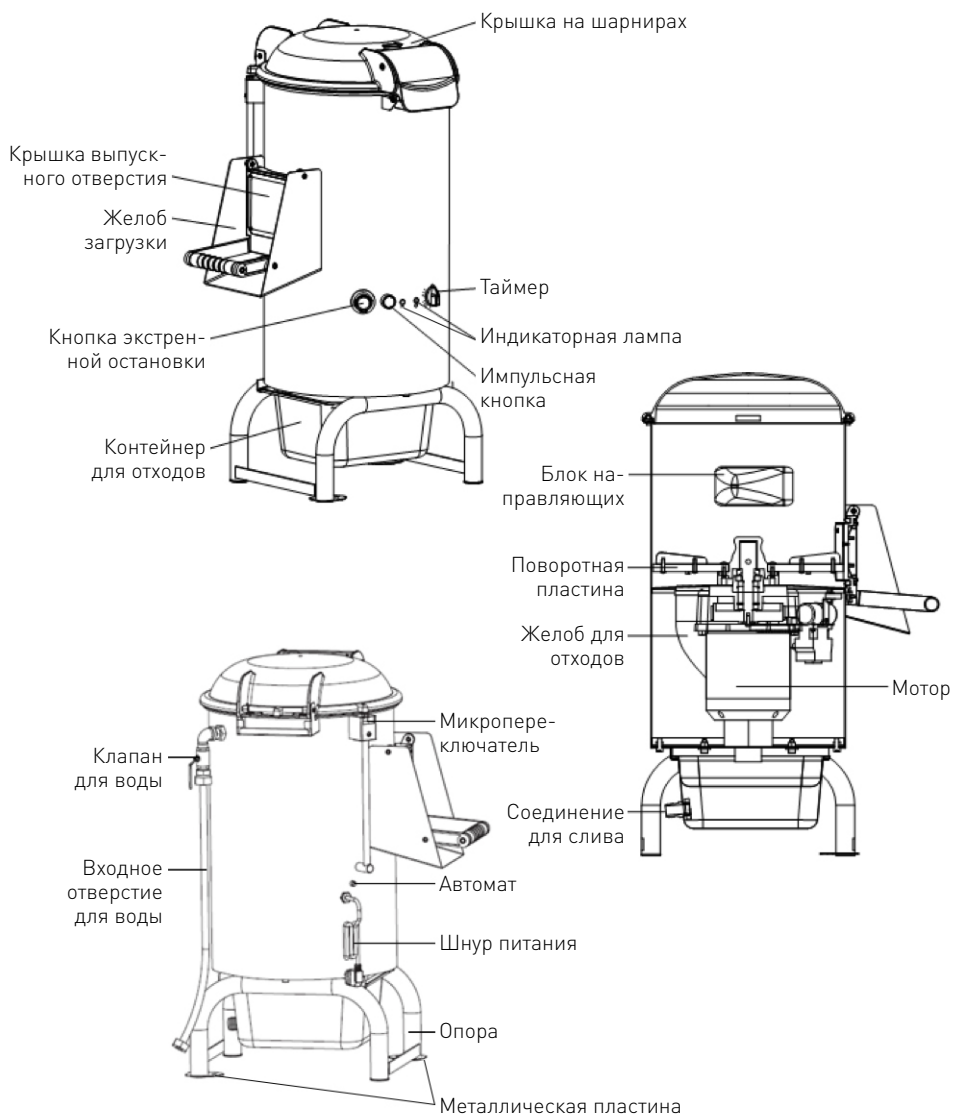
- Этот прибор предназначен для профессионального использования и может эксплуатироваться только квалифицированным персоналом.
- Данное устройство предназначено только для чистки картофеля в коммерческих условиях. Любое другое использование может привести к повреждению прибора или нанесению телесных повреждений.
- Эксплуатация прибора для любых других целей считается неправильным использованием устройства. Пользователь несет единоличную ответственность за ненадлежащее использование устройства.

Установка заземления

Этот прибор относится к **классу защиты I** и должен быть подключен к защитному грунту. Заземление снижает риск поражения электрическим током, обеспечивая выход провода для электрического тока. Этот прибор оснащен шнуром пи-

тания с заземляющим проводом и заземленной штепсельной вилкой. Вилка должна быть подключена к розетке, которая правильно установлена и заземлена.

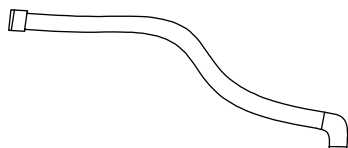
Описание продукта



Аксессуары



Расширительный болт



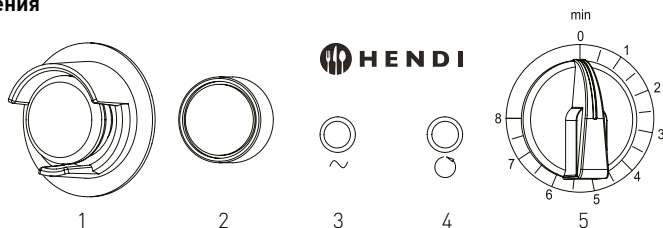
Сливной шланг
(контейнер для отходов)



Зажим для шланга



Панель управления



1) Кнопка экстренной остановки

- В чрезвычайной ситуации (например, засор, аномальная вибрация, шум и т. д.) следует немедленно нажать кнопку. Устройство остановит работу. Все другие кнопки / выключатели отключаются, пока кнопка экстренной остановки не будет сброшена.

Примечание: Для сброса кнопки аварийной остановки нужно повернуть ее по часовой стрелке, пока она не вернется в начальное положение.

2) Импульсная кнопка

- Используется для сброса очищенного картофеля.

Примечание: Не нажимайте импульсную кнопку во время очистки.

3) Индикатор питания

- Этот индикатор горит, когда устройство подключено к электросети, и питание включено.

4) Индикатор работы

- Этот индикатор горит, когда работает двигатель.

5) Ручка таймера

- Поверните ручку таймера в положение, соответствующее желаемому времени работы (0-8 минут), чтобы запустить устройство.

RU

Подготовка перед установкой

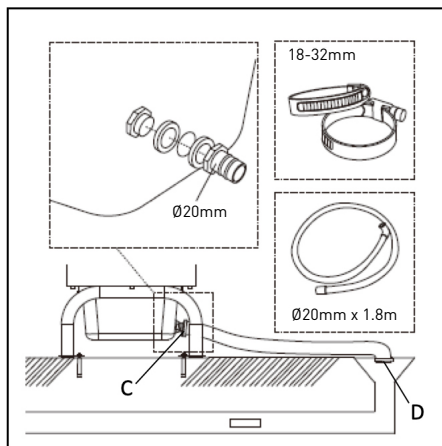
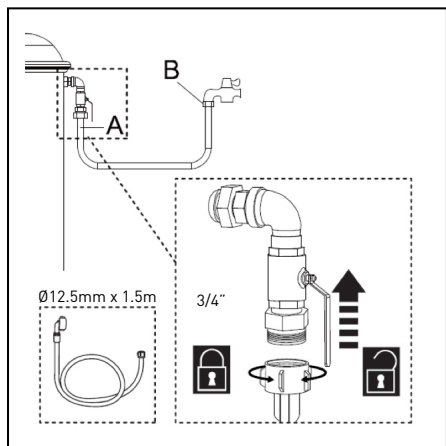
- Удалите всю защитную упаковку и упаковку.
- Проверьте транспортные повреждения прибора. Убедитесь, что все детали поставляются. В случае неполной поставки (например, сливной шланг, зажим для шланга, расширительный болт) или повреждения, немедленно обратитесь к поставщику. НЕ используйте прибор. (См.; Гарантия).
- Очистите прибор перед использованием (см.; Очистка и обслуживание).
- Убедитесь, что прибор полностью сухой.
- Сохраните упаковку, если намереваетесь хранить прибор в будущем.

Установка

- Убедитесь, что машина помещена в сухую зону, и эта поверхность является ровной и имеет достаточную прочность для поддержки машины.
- Убедитесь в том, что блок электропитания соответствует маркировке на станке.
- Убедитесь, что поблизости нет препятствий.
- **ОСТОРОЖНО!** Никогда не обходите никаких защитных замков и выключателей прибора.
- Убедитесь, что устройство закреплено посредством расширительных болтов (поставляются в комплекте), привинчиваемых к металлическим пластинам (на опорах).
- Монтаж должен осуществляться с учетом всех действующих норм и правил промышленной безопасности.



Подключение к системе водоснабжения и канализации



1) Подключение к системе водоснабжения осуществляется через поставляемый в комплекте шланг ($\varnothing 12,5$ мм x 150 см) и муфт на 3/4 дюйма. Процедура:

- I. Подключите шланг к входному отверстию с задней стороны устройства (точка А).
- II. Подключите другой конец шланга к системе водоснабжения (точка В).
- III. На устройстве установлен клапан для удобной регулировки потока воды.

2) Подключение к системе канализации осуществляется через поставляемый в комплекте шланг ($\varnothing 25$ мм x 180 см) и зажимов для шланга. Процедура:

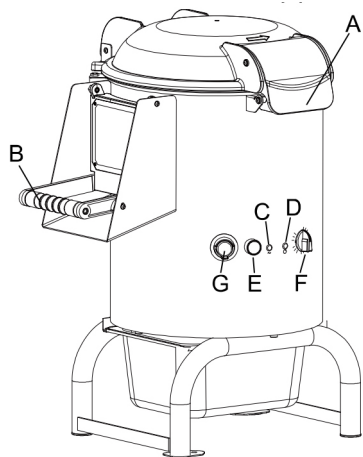
- I. Наденьте зажимы на шланг.
- II. Подсоедините шланг к соединению контейнера для отходов (точка С) и закрепите его зажимами.
- III. Вставьте другой конец сливного шланга в систему канализации (точка D).

RU



Операция

Внимание: Устройство имеет систему безопасности, которая не дает запускать устройство, пока крышка не будет правильно установлена.



- 1) Откройте прозрачную крышку, потянув ручку А до щелчка.
- 2) Установите поворотную пластину и загрузите в резервуар обрабатываемый продукт.
- 3) Закройте крышку и убедитесь, что дверца В выпускного отверстия заперта.
- 4) Подсоедините подачу воды и включите клапан для воды. Убедитесь, что вода подается (см. «Подключение к системе водоснабжения и канализации»).
- 5) Включите питание. Включится индикатор питания С.
- 6) Запустите устройство, включив таймер F на требуемую длительность рабочего цикла. Включится индикатор работы D.

7) После достижения заданного времени устройства автоматически остановится, и индикатор работы выключится.

8) Откройте дверцу выпускного отверстия В после подготовки контейнера. Затем нажмите импульсную кнопку Е, чтобы повернуть диск. Удерживайте дверцу выпускного отверстия, пока не соберете все картофелины.

ОПАСНОСТЬ — ОСТОРОЖНО! Никогда не вставляйте руку в выпускное отверстие. При несчастном случае немедленно нажмите кнопку экстренной остановки.

ВНИМАНИЕ! Запрещается использовать устройство без нагрузки.

ПРИМЕЧАНИЕ: После каждого цикла снимайте пластину для очистки и проверяйте желоб для отходов на засоры.

ПРИМЕЧАНИЕ: Устройство оборудовано двумя предохранительными выключателями.

а) Геркон оборудован магнитным механизмом. Устройство автоматически останавливается, если во время работы открыта верхняя крышка или крышка выпускного отверстия.

б) Защита от перегрузки по току (автомат) призвана защитить электрический контур от повреждения в результате перегрузки или короткого замыкания. Автомат разрывает электрическую цепь при обнаружении неисправности.

Примечание. Для сброса выключателя нужно нажать его после устранения проблемы.

Важное

- **Предупреждение!** Никогда не вставляйте руки в прибор во время работы.
- Не используйте деревянные, металлические или пластиковые предметы для очистки компонентов.
- Никогда не используйте замороженный картофель.



Очистка и обслуживание

Внимание: Всегда отключайте прибор от электрической розетки и дайте ему полностью остыть перед очисткой и хранением.

Очистка

- Очищайте устройство до и после каждого сеанса работы.
- Никогда не погружайте прибор в воду или другие жидкости.
- Очистите охлаждаемую наружную поверхность слегка влажной тканью или губкой с небольшим мыльным раствором.
- Обязательно очищайте верхнюю крышку (включая прокладку), желоб загрузки и контейнеры. Протирайте мягкой сухой тканью.
- Откройте верхнюю крышку и извлеките пластину очистки из камеры очистки. Очистите пластину очистки и внутреннюю поверхность камеры очистки подходящей щеткой. После этого сполосните их чистой водой.
- Никогда не используйте абразивные губки или моющие средства, стальную шерсть или металлическую посуду для очистки внутренних или наружных частей прибора.
- Если прибор находится на холостом ходу в течение длительного времени, перед использованием обязательно смазывайте весь металл.

Хранение

- Хранить прибор в прохладном, чистом и сухом месте.
- Протирайте устройство снаружи мягкой влажной тканью хотя бы раз в месяц, при необходимости добавляя немного мягкого моющего средства.

Поиск неисправностей

Если устройство не работает должным образом, проверьте приведенную ниже таблицу на предмет возможных решений. Если ваша проблема не решена одним из этих решений, обратитесь к поставщику/поставщику услуг.

Проблема	Решение
Устройство не запускается	Убедитесь, что он подключен к сети.
	Убедитесь, что предохранительный автоматический выключатель закрыт.
	Убедитесь, что кнопка экстренной остановки не нажата.
	Если проблема возникает после длительного периода интенсивного использования, двигатель может перегреться. Подождите не менее 20 минут и повторите попытку. Если поместить прибор в прохладное место, это сократит время ожидания.

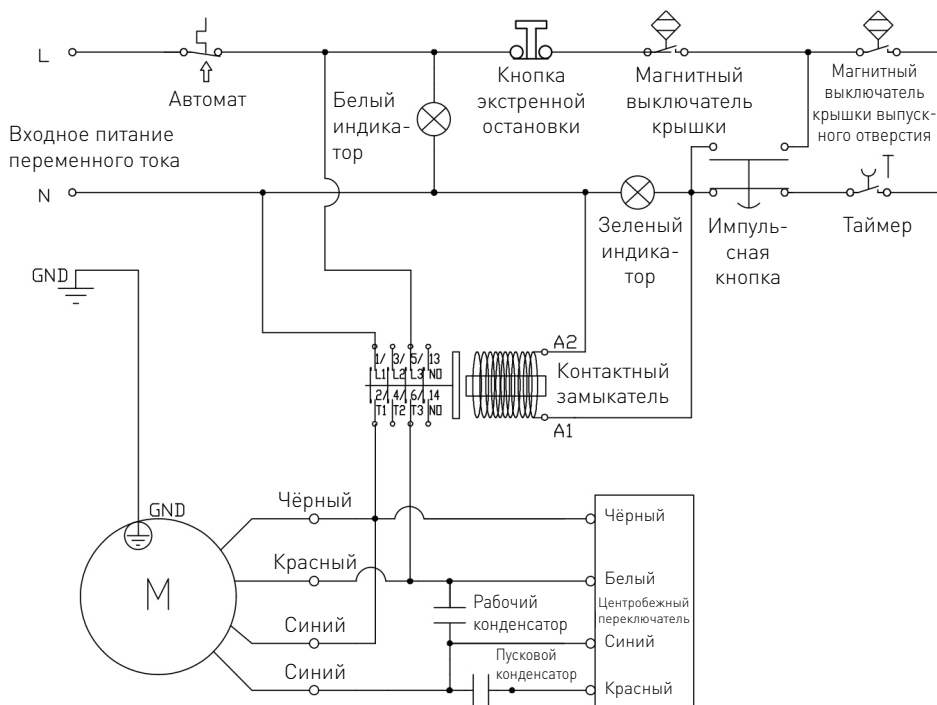


Технические характеристики

Артикул	229200	229217	229224
Рабочее напряжение и частота	230В- 50Гц		
Номинальная потребляемая мощность	550Вт	750Вт	1100Вт
Размеры	540x622x(h)802мм	540x622x(h)857мм	540x622x(h)997мм
Вместимость	5кг / 12л	10кг / 22л	18кг / 28л
Уровень А-взвешенного звукового давления	> 70дБ (А)		
Класс защиты	Первый сорт		
Класс водонепроницаемости	IP23		
Вес нетто	39,2кг	39,6кг	42,4кг

Внимание: Технические характеристики могут быть изменены без предварительного уведомления.

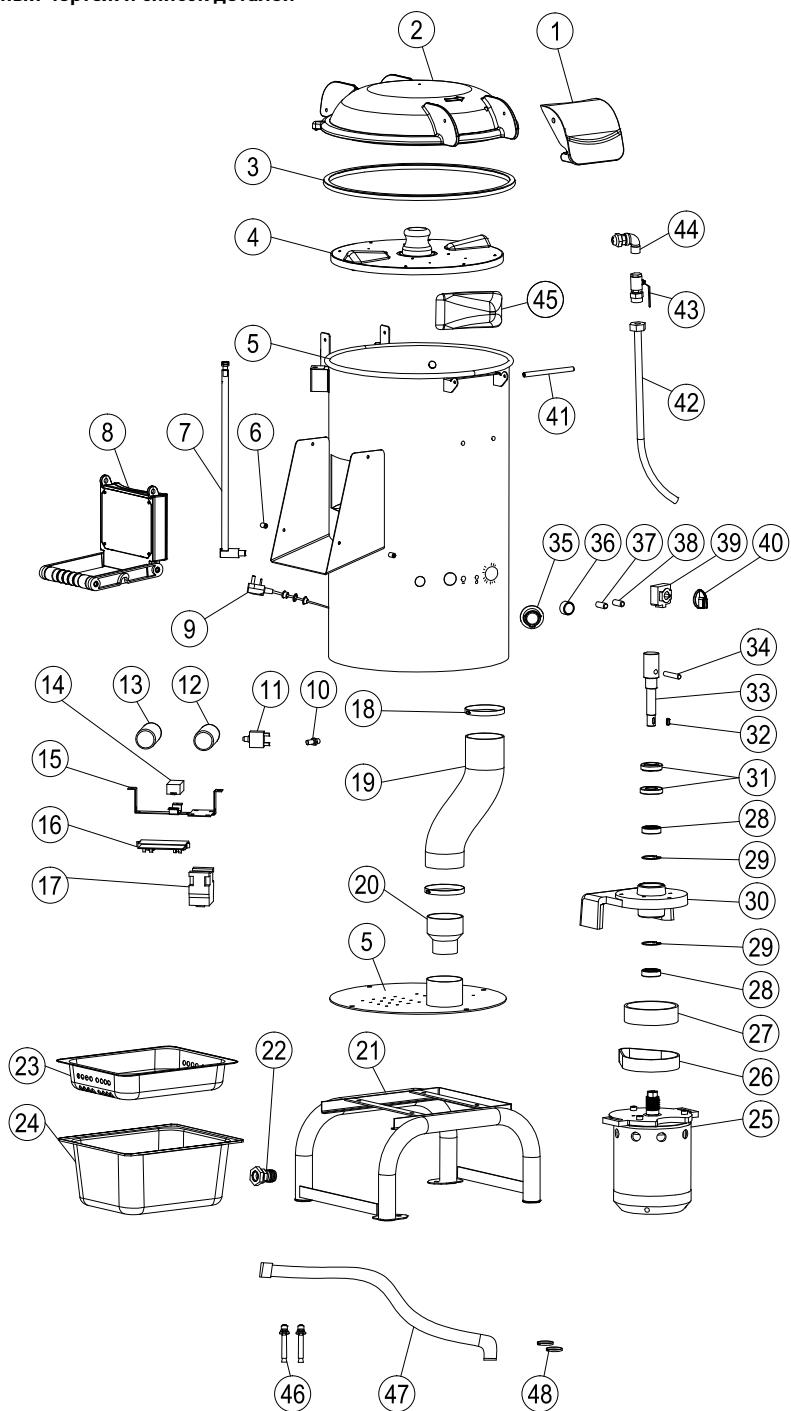
Схема цепей



RU



Разнесенный чертеж и список деталей



RU

№ части	Название части	№ части	Название части
1	Блокировочная пластина	25	Мотор
2	Крышка на шарнирах	26	Ремень
3	Уплотнительное кольцо	27	Шкив для ремня
4	Абразивный диск	28	6004 Подшипник
5	Цилиндр из нерж. стали	29	С-образное кольцо
6	Выступающий штифт	30	Плата крепления двигателя
7	Желоб для провода	31	Уплотнительное кольцо
8	Крышка выпускного отверстия	32	Плоская шпонка
9	Шнур питания	33	Выходной вал
10	Микрореле	34	Шпонка фиксации положения
11	Автомат	35	Кнопка экстренной остановки
12	Рабочий конденсатор	36	Импульсная кнопка
13	Пусковой конденсатор 150 мкФ	37	Белый индикатор
14	Центробежный переключатель	38	Зеленый индикатор
15	Кронштейн РСВ	39	Таймер
16	Панель РСВ	40	Ручка таймера
17	Контактный замыкатель	41	Штифт цоколя
18	Зажим для шланга	42	Шланг
19	Желоб для отходов	43	Клапан для воды
20	Муфта сливной трубы	44	Угловой соединитель
21	Крепежный кронштейн	45	Блок направляющих
22	Соединение для слива	46	Расширительный болт
23	Контейнер с ситом	47	Сливной шланг (контейнер для отходов)
24	Контейнер для отходов	48	Зажим для шланга

Гарантия

Любая недоделка или поломка, которая влечет за собой неправильную работу устройства, которая будет выявлена в течение первого года от даты покупки, будет устранена бесплатно, или же все устройство будет заменено новым, если оно эксплуатировалось и обслуживалось согласно инструкции по обслуживанию и не использовалось неправильно, или в разрез с назначением. Данное положение ни в коей мере не нарушает иных прав потребителя, изложенных в законо-

дательстве. В случае заявления устройства в ремонт или на замену в рамках гарантии, следует указать место и дату покупки устройства и приложить счет, или чековую квитанцию.

Согласно нашей политике совершенствования наших продуктов оставляем за собой право на ввод изменений в конструкцию, упаковку и в технические параметры, указываемые в технической документации без предупреждения.

Утилизация и защита окружающей среды

В случае вывода оборудования из эксплуатации, продукт нельзя утилизировать вместе с другими бытовыми отходами. Пользователь несет ответственность за передачу оборудования в соответствующий пункт приема техники бывшей в употреблении. Несоблюдение вышеуказанного положения может привести к наложению штрафов в соответствии с действующими правилами в отношении утилизации отходов. Селективный сбор и утилизация использованного оборудования способствуют сохранению природных ресурсов и обеспечивают рециркуляцию таким

образом, который не вреден для здоровья и окружающей среды.


Для получения дополнительной информации о том, где можно отдать использованное оборудование для утилизации, обратитесь в местную компанию по сбору отходов. Производитель и импортер не несут ответственности за рециркуляцию и переработку отходов экологически безопасным способом, как непосредственно, так и в рамках государственной системы.

RU



Σας ευχαριστούμε για την αγορά αυτής της συσκευής HENDI. Διαβάστε προσεκτικά αυτό το εγχειρίδιο, δίνοντας ιδιαίτερη προσοχή στους κανονισμούς ασφαλείας που περιγράφονται παρακάτω, πριν εγκαταστήσετε και χρησιμοποιήσετε αυτή τη συσκευή για πρώτη φορά.

Κανονισμοί ασφαλείας

- Η συσκευή αυτή δεν προορίζεται για οικιακή χρήση.
- Χρησιμοποιείτε μόνο τη συσκευή για τον επιδιωκόμενο σκοπό για τον οποίο σχεδιάστηκε όπως περιγράφεται στο παρόν εγχειρίδιο.
- Ο κατασκευαστής δεν ευθύνεται για τυχόν ζημιές που προκαλούνται από λανθασμένη λειτουργία και ακατάλληλη χρήση.
- Κρατήστε τη συσκευή και το ηλεκτρικό βύσμα μακριά από νερό και άλλα υγρά. Σε περίπτωση που η συσκευή πέσει στο νερό, αφαιρέστε αμέσως το βύσμα τροφοδοσίας από την πρίζα. Μην χρησιμοποιείτε τη συσκευή μέχρι να ελεγχθεί από πιστοποιημένο τεχνικό. Η μη τήρηση αυτών των οδηγιών θα προκαλέσει απειλητικούς κινδύνους για τη ζωή.
- Ποτέ μην επιχειρήσετε να ανοίξετε μόνοι σας το περίβλημα της συσκευής.
- Μην εισάγετε αντικείμενα στο περίβλημα της συσκευής.
- Μην αγγίζετε το βύσμα με βρεγμένα ή υγρά χέρια.
-  **Κίνδυνος ηλεκτροπληξίας!** Μην επιχειρήσετε να επισκευάσετε τη συσκευή μόνοι σας, οι επισκευές πρέπει να πραγματοποιούνται μόνο από εξειδικευμένο προσωπικό.
- **Ποτέ μην χρησιμοποιείτε μια κατεστραμμένη συσκευή!** Όταν είναι κατεστραμμένο, αποσυνδέστε τη συσκευή από την πρίζα και επικοινωνήστε με το κατάστημα λιανικής πώλησης.
- **Προειδοποίηση!** Μην βυθίζετε τα ηλεκτρικά μέρη της συσκευής σε νερό ή άλλα υγρά.
- Ποτέ μην κρατάτε τη συσκευή κάτω από τρεχούμενο νερό.
- Ελέγχετε τακτικά το βύσμα τροφοδοσίας και το καλώδιο για τυχόν ζημιές. Σε περίπτωση βλάβης, πρέπει να αντικατασταθεί από αντιπρόσωπο εξυπηρέτησης ή με παρόμοια προσόντα, ώστε να αποφεύγεται ο κίνδυνος ή ο τραυματισμός.
- Βεβαιωθείτε ότι το καλώδιο δεν έρχεται σε επαφή με αιχμηρά ή ζεστά αντικείμενα και κρατήστε το μακριά από ανοιχτή φωτιά. Μην τραβάτε ποτέ το καλώδιο τροφοδοσίας για να το αποσυνδέσετε από την πρίζα, πάντα τραβάτε το βύσμα.
- Βεβαιωθείτε ότι το καλώδιο τροφοδοσίας ή/και το καλώδιο προέκτασης δεν προκαλούν κίνδυνο διαφυγής.
- Μην αφήνετε ποτέ τη συσκευή αφύλακτη κατά τη χρήση.
- **Προειδοποίηση!** Όσο το βύσμα βρίσκεται στην πρίζα, η συσκευή είναι συνδεδεμένη με την πηγή τροφοδοσίας.
- Απενεργοποιήστε τη συσκευή πριν την αποσυνδέσετε από την πρίζα.
- Συνδέστε το βύσμα ρεύματος σε μια εύκολα προσβάσιμη πρίζα, ώστε σε περίπτωση ανάγκης να αποσυνδεθεί αμέσως η συσκευή.
- Ποτέ μην μεταφέρετε τη συσκευή από το καλώδιο.
- Μην χρησιμοποιείτε επιπλέον συσκευές που δεν παρέχονται μαζί με τη συσκευή.

- Συνδέστε τη συσκευή μόνο σε πρίζα με την τάση και τη συχνότητα που αναφέρονται στην ετικέτα της συσκευής.
- Ποτέ μην χρησιμοποιείτε εξαρτήματα εκτός από αυτά που συνιστώνται από τον κατασκευαστή. Εάν δεν γίνει κάτι τέτοιο, θα μπορούσε να αποτελέσει κίνδυνο για την ασφάλεια του χρήστη και θα μπορούσε να προκαλέσει βλάβη στη συσκευή. Χρησιμοποιείτε μόνο αυθεντικά εξαρτήματα και αξεσουάρ.
- Η συσκευή αυτή δεν πρέπει να λειτουργεί από άτομα με μειωμένες σωματικές, αισθητηριακές ή διανοητικές ικανότητες ή άτομα με έλλειψη εμπειρίας και γνώσης.
- Αυτή η συσκευή δεν πρέπει, σε καμία περίπτωση, να χρησιμοποιείται από παιδιά.
- Κρατήστε τη συσκευή και το καλώδιο τροφοδοσίας μακριά από παιδιά.
- **ΠΡΟΕΙΔΟΠΟΙΗΣΗ:** Πάντα απενεργοποιείτε τη συσκευή και αποσυνδέστε την πρίζα πριν από τον καθαρισμό, τη συντήρηση ή την αποθήκευση.

Ειδικοί Κανονισμοί Ασφαλείας

- Η συσκευή αυτή θα πρέπει να λειτουργεί μόνο από εκπαιδευμένο προσωπικό.
- Μην τοποθετείτε τη συσκευή σε πηγή θερμότητας (βενζίνη, ηλεκτρική κουζίνα, κάρβουνο κ.λπ.) Κρατήστε τη συσκευή μακριά από οποιεσδήποτε θερμές επιφάνειες και ανοιχτές φλόγες.
- Μην χρησιμοποιείτε τη συσκευή κοντά σε εκρηκτικά ή εύφλεκτα υλικά, πιστωτικές κάρτες, μαγνητικούς δίσκους ή ραδιόφωνα.
- Πάντα να χειρίζεστε τη συσκευή σε επίπεδη, σταθερή, καθαρή, ανθεκτική στη θερμότητα και στεγνή επιφάνεια.
- Μην χειρίζεστε αυτή τη συσκευή μέσω εξωτερικού χρονοδιακόπτη ή συστήματος τηλεχειρισμού.
- Ποτέ μην παρακάμπετε τις κλειδαριές ασφαλείας και τους διακόπτες της συσκευής.
- **ΠΡΟΕΙΔΟΠΟΙΗΣΗ:** Κρατήστε όλα τα ανοίγματα εξαερισμού της συσκευής μακριά από εμπόδια.
- **ΠΡΟΕΙΔΟΠΟΙΗΣΗ!** Πάντα να κρατάτε τα χέρια, τα μαλλιά και τα ρούχα μακριά από τα κινούμενα μέρη.
- Αφήστε χώρο τουλάχιστον 15 cm γύρω από τη συσκευή κατά τη χρήση για αερισμό.
- **Προσοχή!** Δρομολογήστε με ασφάλεια το καλώδιο τροφοδοσίας για να αποφύγετε ακούσια έλξη ή επαφή με την επιφάνεια θέρμανσης.
- Μην πλένετε το σώμα της συσκευής με νερό ή νερό. Το πλύσιμο με νερό μπορεί να προκαλέσει διαρροή η οποία αυξάνει τον κίνδυνο ηλεκτροπληξίας.
- Μην καθαρίζετε ή αποθηκεύετε τη συσκευή μέχρι να κρυώσει τελείως.
- Μην μετακινείτε τη συσκευή κατά τη λειτουργία. Αποσυνδέστε τη συσκευή κατά τη μετακίνηση και κρατήστε την στο κάτω μέρος.
- Μην χρησιμοποιείτε τη συσκευή χωρίς περιεχόμενο για να αποφύγετε την υπερθέρμανση.
- Μην χρησιμοποιείτε ποτέ τη συσκευή χωρίς να έχετε τοποθετήσει το καπάκι και την περιστρεφόμενη πλάκα.
- Δεν υπάρχουν εξαρτήματα που μπορούν να πλυθούν σε πλυντήριο πιάτων.



Προβλεπόμενη χρήση

- Η συσκευή αυτή προορίζεται για επαγγελματική χρήση και μπορεί να λειτουργήσει μόνο από εξειδικευμένο προσωπικό.
- Αυτή η συσκευή έχει σχεδιαστεί μόνο για καθαρισμό πατατών σε επαγγελματικό περιβάλλον. Οποιαδήποτε άλλη χρήση μπορεί να προκαλέσει

βλάβη στη συσκευή ή σωματικό τραυματισμό.

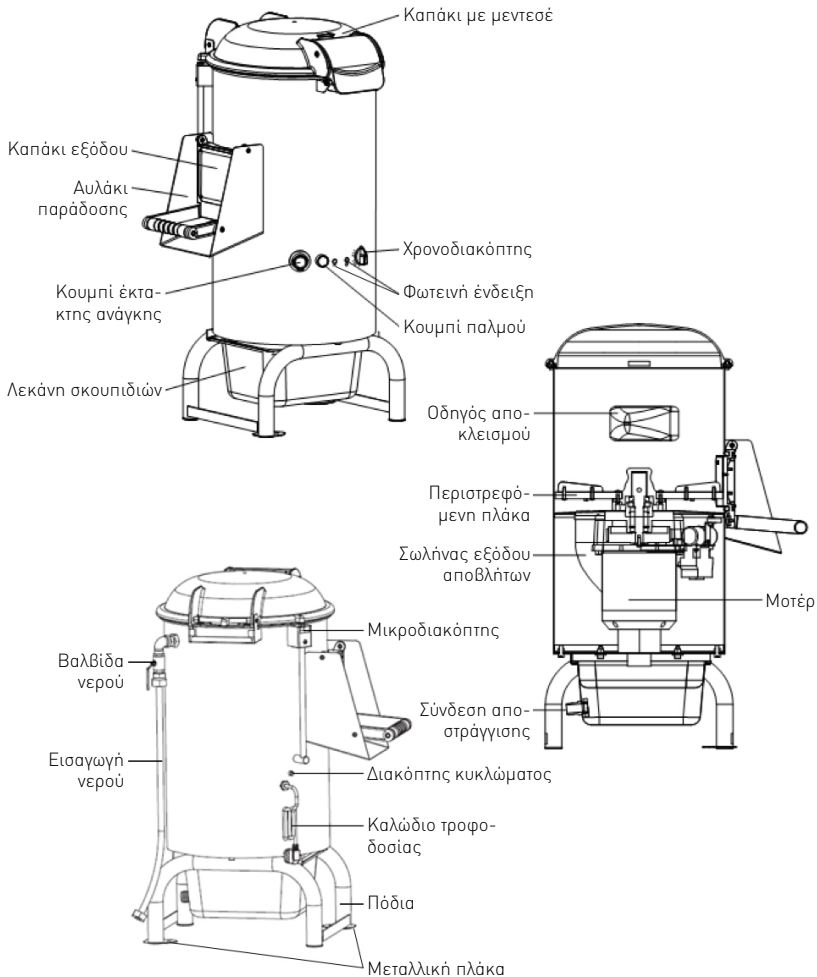
- Η λειτουργία της συσκευής για οποιονδήποτε άλλο σκοπό θεωρείται κατάχρηση της διάταξης. Ο χρήστης ευθύνεται αποκλειστικά για την ακατάλληλη χρήση της συσκευής.

Εγκατάσταση γείωσης

Η συσκευή αυτή ταξινομείται ως **κατηγορία προστασίας Ι** και πρέπει να συνδέεται με προστατευτικό έδαφος. Η γείωση μειώνει τον κίνδυνο ηλεκτροπληξίας παρέχοντας ένα καλώδιο διαφυγής για το ηλεκτρικό ρεύμα. Αυτή η συσκευή είναι εφοδιασμένη με

καλώδιο τροφοδοσίας που διαθέτει καλώδιο γείωσης και γειωμένο βύσμα. Το βύσμα πρέπει να συνδεθεί σε μια πρίζα που είναι σωστά εγκατεστημένη και γειωμένη.

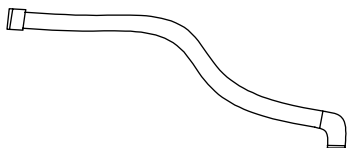
Περιγραφή Προϊόντος



Εξαρτήματα



Μπουλόνι επέκτασης

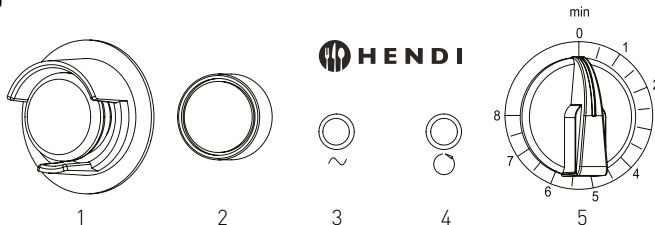


Σωλήνας αποστράγγισης
(λεκάνη απορριμμάτων)



Σφιγκτήρας λάστιχου

Πίνακας ελέγχου



1) Κουμπί έκτακτης ανάγκης

- Σε περίπτωση έκτακτης ανάγκης (π.χ. απόφραξη, μη φυσιολογική δόνηση ή θόρυβος κ.λπ.), πατήστε αμέσως το κουμπί. Η συσκευή σταματά. Όλα τα άλλα κουμπιά / διακόπτες απενεργοποιούνται έως ότου γίνει επαναφορά του κουμπιού έκτακτης ανάγκης.

Σημείωση: Για να επαναφέρετε το κουμπί έκτακτης ανάγκης, περιστρέψτε το δεξιόστροφα, μέχρι να εμφανιστεί στην αρχική θέση.

2) Κουμπί παλμού

- Χρησιμοποιήστε το για να ξεφορτώσετε τις αποφλοιωμένες πατάτες.
- Σημείωση: Μην πατάτε το κουμπί παλμού κατά τη διάρκεια της αποφλοιώσης.

3) Ένδειξη ενεργοποίησης

- Η ένδειξη είναι αναμμένη όταν η συσκευή είναι συνδεδεμένη στο ρεύμα και είναι ενεργοποιημένη.

4) Ένδειξη λειτουργίας

- Η ένδειξη είναι αναμμένη όταν λειτουργεί ο κινητήρας.

5) Χρονόμετρο

- Γυρίστε το χρονόμετρο στον επιθυμητό χρόνο λειτουργίας (0-8 λεπτά) για να ξεκινήσετε το μηχάνημα.

Προετοιμασίες πριν την εγκατάσταση

- Αφαιρέστε όλες τις προστατευτικές συσκευασίες και περιτύλιγμα.
- Ελέγξτε τις ζημιές μεταφοράς της συσκευής. Βεβαιωθείτε ότι παρέχονται όλα τα εξαρτήματα. Σε περίπτωση ελλιπούς παράδοσης (π.χ. σωλήνας αποστράγγισης, σφιγκτήρας λάστιχου, μπουλόνι επέκτασης) ή ζημιά, επικοινωνήστε αμέσως με τον προμηθευτή. ΜΗΝ χρησιμοποιείτε τη συσκευή. (Βλ. Εγγύηση).

- Καθαρίστε τη συσκευή πριν από τη χρήση (Βλέπε, Καθαρισμός και Συντήρηση).
- Βεβαιωθείτε ότι η συσκευή είναι εντελώς στεγνή.
- Φυλάξτε τη συσκευασία εάν σκοπεύετε να αποθηκεύσετε τη συσκευή σας στο μέλλον.

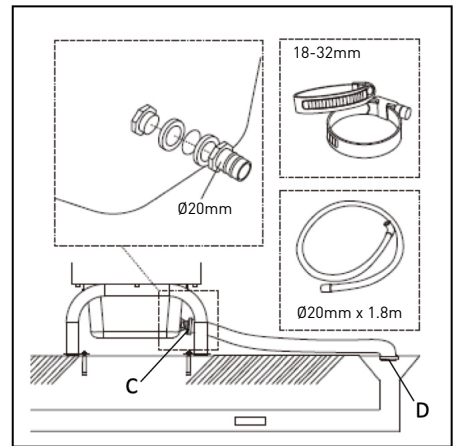
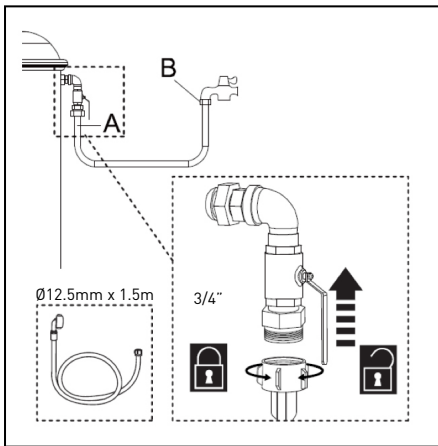


Εγκατάσταση

- Βεβαιωθείτε ότι το μηχάνημα είναι τοποθετημένο σε ξηρή περιοχή και ότι η επιφάνεια είναι επίπεδη και έχει επαρκή αντοχή για να στηρίξει το μηχάνημα.
- Βεβαιωθείτε ότι η παροχή ηλεκτρικού ρεύματος αντιστοιχεί στην ετικέτα αξιολόγησης στο μηχάνημα.
- Βεβαιωθείτε ότι δεν υπάρχουν εμπόδια σε κοντινή απόσταση.

- **ΠΡΟΣΟΧΗ!** Ποτέ μην παρακάμψετε τις κλειδαριές ασφαλείας και τους διακόπτες της συσκευής.
- Βεβαιωθείτε ότι οι κοχλίες διαστολής (παρέχονται) είναι τοποθετημένοι στις μεταλλικές πλάκες (στα πόδια) για να στερεώσετε τη συσκευή.
- Σε κάθε περίπτωση, η εγκατάσταση πρέπει να πραγματοποιείται λαμβάνοντας υπόψη τυχόν ισχύοντες κανονισμούς βιομηχανικής ασφάλειας.

Σύνδεση με σύστημα ύδρευσης και αποχέτευσης

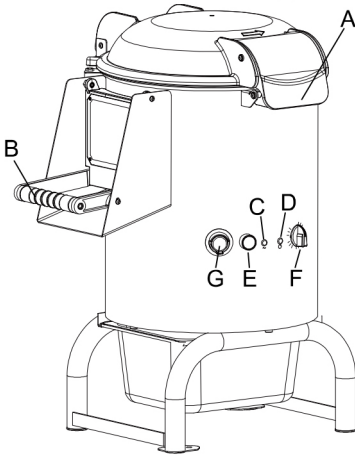


- 1) Συνδέστε στην παροχή νερού μέσω των παρεχόμενων σωλήνων ($\varnothing 12,5\text{mm} \times 150\text{cm}$) και των συνδετήρων 3/4". Συνεχίστε ως εξής:
 - I. Συνδέστε τον εύκαμπο σωλήνα στην είσοδο στο πίσω μέρος του μηχανήματος (θέση A).
 - II. Συνδέστε το άλλο άκρο του εύκαμπτου σωλήνα στην παροχή νερού (θέση B).
 - III. Η συσκευή περιλαμβάνει βαλβίδα νερού για τον άνετο έλεγχο της ροής του νερού.

- 2) Συνδέστε στο σύστημα αποστράγγισης μέσω του παρεχόμενου σωλήνα ($\varnothing 25\text{mm} \times 180\text{cm}$) και των σφιγκτήρων. Συνεχίστε ως εξής:
 - I. Βάλτε τους σφιγκτήρες στον εύκαμπο σωλήνα.
 - II. Συνδέστε τον εύκαμπο σωλήνα στην άρθρωση της λεκάνης σκουπιδιών (θέση C) και στερεώστε τον με τους σφιγκτήρες του σωλήνα.
 - III. Το άλλο άκρο του σωλήνα αποστράγγισης εισάγεται στο σύστημα αποχέτευσης (θέση D).

Λειτουργία

Προσοχή: Αυτή η συσκευή διαθέτει σύστημα ασφαλείας που εμποδίζει την λειτουργία, εάν το καπάκι δεν είναι σωστά τοποθετημένο.



- 1) Ανοίξτε το διαφανές καπάκι τραβώντας τη λαβή A μέχρι να ανοίξει.
- 2) Τοποθετήστε την περιστρεφόμενη πλάκα μέσα και φορτώστε τη δεξαμενή με το προϊόν επεξεργασίας.
- 3) Κλειδώστε το καπάκι και βεβαιωθείτε ότι η πόρτα εξόδου B είναι κλειδωμένη.
- 4) Συνδέστε την παροχή νερού και ενεργοποιήστε τη βαλβίδα νερού. Βεβαιωθείτε ότι το νερό ρέει. (Βλ. «Σύνδεση με το σύστημα παροχής νερού και αποχέτευσης»).
- 5) Ενεργοποιήστε το διακόπτη ρεύματος. Η ένδειξη ενεργοποίησης C θα ανάψει.
- 6) Εκκινήστε το μηχανήμα γυρίζοντας το χρονόμετρο F στο απαιτούμενο χρονικό διάστημα του κύκλου εργασίας, η ένδειξη λειτουργίας D θα ανάψει.

7) Όταν φτάσει ο χρόνος ρύθμισης, το μηχανήμα θα σταματήσει αυτόματα και η ένδειξη λειτουργίας θα σβήσει.

8) Ανοίξτε την πόρτα εξόδου B αφού προετοιμάσετε ένα δοχείο. Στη συνέχεια, πατήστε το κουμπι παλμού E για περιστροφή του δίσκου. Στο ενδιάμεσο, κρατήστε την πόρτα εξόδου μέχρι να πάρετε όλες τις πατάτες.

ΚΙΝΔΥΝΟΣ - ΠΡΟΣΟΧΗ: Μην βάζετε ποτέ το χέρι σας μέσα στην πόρτα εξόδου. Σε περίπτωση ατυχήματος, πατήστε αμέσως το κουμπι έκτακτης ανάγκης.

ΠΡΟΕΙΔΟΠΟΙΗΣΗ! Η συσκευή δεν πρέπει να λειτουργεί χωρίς φορτίο.

ΣΗΜΕΙΩΣΗ: Αφαιρέστε την πλάκα αποφλοίωσης και ελέγξτε το σωλήνα εξόδου αποβλήτων για απόφραξη σε κάθε κύκλο.

ΣΗΜΕΙΩΣΗ: Η συσκευή είναι εξοπλισμένη με δύο διακόπτες ασφαλείας.

α) Ο διακόπτης επαφής είναι εξοπλισμένος με μηχανισμό μαγνήτη. Η συσκευή σταματά αυτόματα όταν ανοίγει το άνω καπάκι ή το καπάκι εξόδου κατά τη λειτουργία.

β) Ο διακόπτης προστασίας από υπέρταση (ασφάλεια) έχει σχεδιαστεί για να προστατεύει το ηλεκτρικό κύκλωμα από ζημιές που προκαλούνται από υπερβολικό ρεύμα ως αποτέλεσμα υπερφόρτωσης ή βραχυκυκλώματος. Ο διακόπτης διακόπτει τη ροή ρεύματος μετά την ανίχνευση σφάλματος.

Σημείωση: Για να επαναφέρετε το διακόπτη, πατήστε τον μετά την επίλυση του προβλήματος.

Σημαντικό

• **Προειδοποίηση!** Μην τοποθετείτε ποτέ τα χέρια σας στη συσκευή ενώ βρίσκεστε σε λειτουργία.

- Μην χρησιμοποιείτε ξύλινα / μεταλλικά ή πλαστικά αντικείμενα για να ξύσετε τα συστατικά.
- Μην χρησιμοποιείτε ποτέ παγωμένες πατάτες.



Καθαρισμός και Συντήρηση

Προσοχή: Αποσυνδέστε πάντα τη συσκευή από την πρίζα και αφήστε την να κρυώσει εντελώς πριν από τον καθαρισμό και την αποθήκευση.

Καθαρισμός

- Καθαρίζετε τη συσκευή πριν και μετά από κάθε χρήση.
- Ποτέ μην βυθίζετε τη συσκευή σε νερό ή άλλα υγρά.
- Καθαρίστε την ψυχρή εξωτερική επιφάνεια με ένα ελαφρώς υγρό πανί ή σφουγγάρι με λίγο ήπιο διάλυμα σαπουνιού.
- Βεβαιωθείτε ότι έχετε καθαρίσει το άνω καπάκι (συμπεριλαμβανομένης της φλάντζας), το αυλάκι παράδοσης και τις λεκάνες. Στεγνώστε με ένα μαλακό στεγνό πανί.
- Ανοίξτε το άνω καπάκι και αφαιρέστε την πλάκα αποφλοιώσης από το θάλαμο αποφλοιώσης. Καθαρίστε την πλάκα αποφλοιώσης και το εσωτερικό του θαλάμου αποφλοιώσης με μια κατάλληλη βούρτσα. Ξεπλύνετε με καθαρό νερό μετά.
- Ποτέ μην χρησιμοποιείτε λειαντικά σφουγγάρια ή απορρυπαντικά, χαλύβδινο μαλλί ή μεταλλικά σκεύη για να καθαρίσετε τα εσωτερικά ή εξωτερικά μέρη της συσκευής.
- Εάν η συσκευή είναι αδρανής για μεγάλο χρονικό διάστημα, βεβαιωθείτε ότι έχετε λιπαίνει όλο το μέταλλο πριν από τη χρήση.

Αποθήκη

- Αποθηκεύστε τη συσκευή σε δροσερό, καθαρό και στεγνό μέρος.
- Σκουπίζετε το εξωτερικό του μηχανήματος τουλάχιστον μία φορά το μήνα με ένα μαλακό υγρό πανί και, εάν είναι απαραίτητο, λίγο ήπιο απορρυπαντικό.

GR

Αντιμετώπιση προβλημάτων

Αν η συσκευή δεν λειτουργεί σωστά, ελέγξτε τον παρακάτω πίνακα για πιθανές λύσεις. Εάν το πρόβλημά σας δεν επιλυθεί με μία από αυτές τις λύσεις, επικοινωνήστε με τον προμηθευτή/πάροχο υπηρεσιών.

Πρόβλημα	Λύση
Η συσκευή δεν ξεκινά	Βεβαιωθείτε ότι είναι συνδεδεμένο.
	Βεβαιωθείτε ότι ο διακόπτης ασφαλείας είναι κλειστός.
	Βεβαιωθείτε ότι το κουμπί έκτακτης ανάγκης δεν ενεργοποιείται.
	Εάν το πρόβλημα παρουσιαστεί μετά από μακρά περίοδο εντατικής χρήσης, ο κινητήρας μπορεί να έχει υπερθερμανθεί. Περιμένετε τουλάχιστον 20 λεπτά και προσπαθήστε ξανά. Εάν τοποθετήσετε τη συσκευή σε δροσερό μέρος, αυτό θα μειώσει τον χρόνο αναμονής.

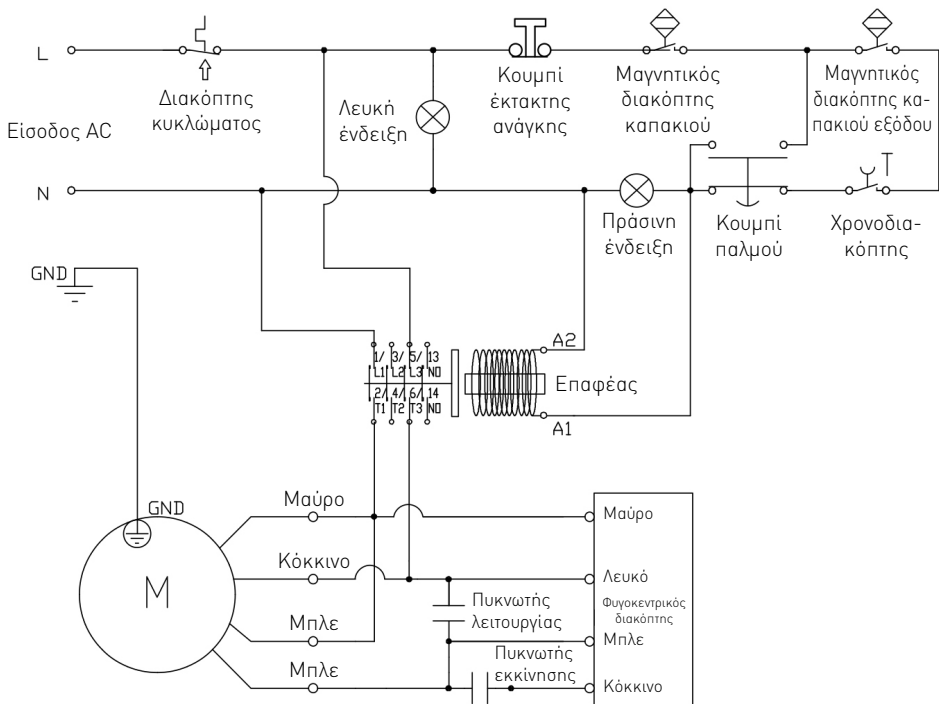


Τεχνικά στοιχεία

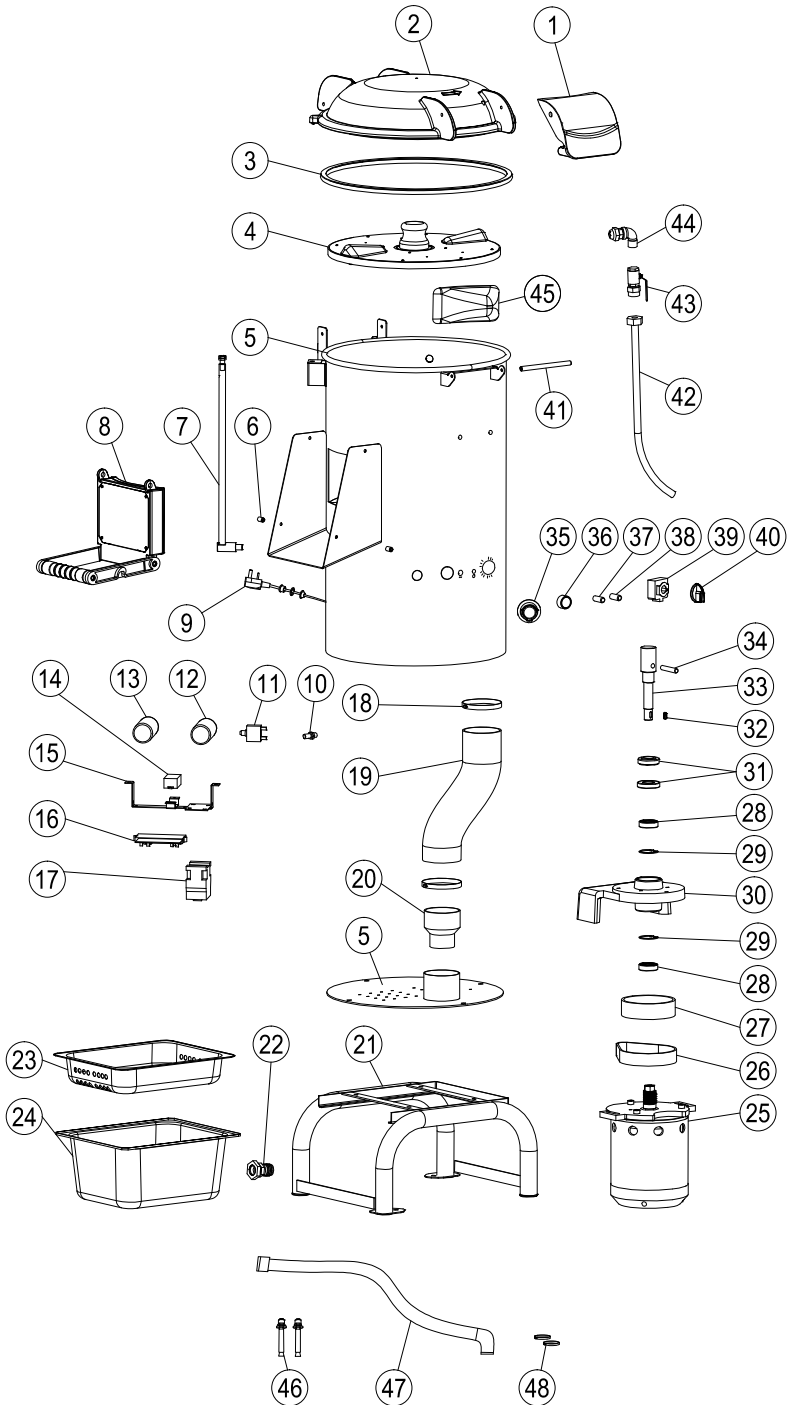
Αντικείμενο αριθ.	229200	229217	229224
Τάση λειτουργίας & συχνότητα	230V- 50Hz		
Ονομαστική κατανάλωση ισχύος	550W	750W	1100W
Διαστάσεις	540x622x(h)802mm	540x622x(h)857mm	540x622x(h)997mm
Χωρητικότητα	5kg / 12L	10kg / 22L	18kg / 28L
Ένα σταθμισμένο επίπεδο πίεσης εκπομπής ήχου	> 70dB(A)		
Κατηγορία προστασίας	Κλάση I		
Αδιάβροχο	IP23		
Καθαρό βάρος	39,2kg	39,6kg	42,4kg

Σχόλιο: Οι τεχνικές προδιαγραφές μπορούν να τροποποιηθούν χωρίς προηγούμενη ειδοποίηση.

Διάγραμμα κυκλώματος



Εκρηκτική σχεδίαση και λίστα μερών



GR



Αρ.εξαρτή- ματος	Όνομα εξαρτήματος	Αρ.εξαρτή- ματος	Όνομα εξαρτήματος
1	Πλάκα ασφάλισης	25	Μοτέρ
2	Καπάκι με μεντεσέ	26	Ζώνη
3	Δακτύλιος ασφάλισης	27	Τροχός ζώνης
4	Λειαντικός δίσκος	28	6004 Ρουλεμάν
5	Κύλινδρος S / S	29	Δακτύλιος περιορισμού τύπου C
6	Προεξέχων πείρος	30	Πλαίσιο στερέωσης κινητήρα
7	Σωλήνας καλωδίων	31	Δακτυλίδι στεγανοποίησης
8	Καπάκι εξόδου	32	Επίπεδο κλειδί
9	Καλώδιο τροφοδοσίας	33	Άξονας εξόδου
10	Μικροδιακόπτης	34	Πείρος σταθερής θέσης
11	Διακόπτης κυκλώματος	35	Κουμπί έκτακτης ανάγκης
12	Πυκνωτής λειτουργίας	36	Κουμπί παλμού
13	Πυκνωτής εκκίνησης 150μF	37	Λευκή ένδειξη
14	Φυγοκεντρικός διακόπτης	38	Πράσινη ένδειξη
15	Βάση PCB	39	Χρονοδιακόπτης
16	Πάνελ PCB	40	Κουμπί χρονοδιακόπτη
17	Επαφές	41	Καρφίτσα μπαγιονέτ
18	Σφιγκτήρας λάστιχου	42	Λάστιχο
19	Σωλήνας εξόδου αποβλήτων	43	Βαλβίδα νερού
20	Σύνδεση σωλήνων εκκένωσης	44	Συνδετήρας τύπου L
21	Βραχίονας στήριξης	45	Οδηγός αποκλεισμού
22	Σύνδεση αποστράγγισης	46	Μπουλόνι επέκτασης
23	Λεκάνη κόσκινου	47	Σωλήνας αποστράγγισης (λεκάνη απορριμμάτων)
24	Λεκάνη σκουπιδιών	48	Σφιγκτήρας λάστιχου



Εγγύηση

Οποιοδήποτε ελάττωμα επηρεάζει τη λειτουργικότητα της συσκευής που γίνεται προφανές δύο χρόνια μετά την αγορά της, θα διορθώνεται με δωρεάν επισκευή ή αντικατάσταση, αρκεί η συσκευή να έχει χρησιμοποιηθεί και συντηρηθεί σύμφωνα με τις οδηγίες και να μην έχει γίνει κατάχρηση ή λανθασμένη χρήση της με οποιονδήποτε τρόπο. Δε θίγονται τα νόμιμα δικαιώματά σας. Εάν η συσκευή υποστηρίζεται

από εγγύηση, δηλώστε πού και πότε έχει αγοραστεί και συμπεριλάβετε την απόδειξη αγοράς (π.χ. απόδειξη λιανικής πώλησης).

Σύμφωνα με την πολιτική μας για τη συνεχή εξέλιξη των προϊόντων μας, διατηρούμε το δικαίωμα να αλλάξουμε το προϊόν, τη συσκευασία και τις προδιαγραφές τεκμηρίωσής του χωρίς προειδοποίηση.

Απόρριψη & Περιβάλλον

Η συσκευή, μετά το πέρας της διάρκειας ζωής της, δεν πρέπει να απορρίπτεται ως οικιακό απόρριμμα. Πρέπει να απορρίπτεται, με δική σας ευθύνη, σε καθορισμένο σημείο συλλογής. Η μη τήρηση αυτού ενδέχεται να τιμωρείται σύμφωνα με τους ισχύοντες κανονισμούς για τη διάθεση των απορριμμάτων. Η χωριστή συλλογή και ανακύκλωση αυτής της συσκευής κατά τη στιγμή της απόρριψης βοηθά στη διατήρηση των φυσικών πόρων και εξασφαλίζει την ανακύκλωσή της με τρόπο που προστατεύει την ανθρώπινη υγεία και το περιβάλλον.

Για περισσότερες πληροφορίες σχετικά με το πού μπορείτε να απορρίψετε τη συσκευή για ανακύκλωση, επικοινωνήστε με την τοπική εταιρεία συλλογής απορριμμάτων. Οι κατασκευαστές και οι εισαγωγείς δεν αναλαμβάνουν την ευθύνη ανακύκλωσης, επεξεργασίας και οικολογικής διάθεσης, είτε άμεσα είτε μέσω δημόσιου συστήματος.

GR

ΣΕΡΒΙΣ ΕΛΛΑΔΟΣ:

Τηλ.: 213 0 998989 (10 γραμμές)

info@pks-hendi.com



Vážený zákazník,

Děkujeme, že jste si koupili tento spotřebič Hendi. Přečtěte si pozorně tuto příručku a věnujte zvláštní pozornost níže uvedeným bezpečnostním předpisům před instalací a používáním tohoto spotřebiče poprvé.

Bezpečnostní předpisy

- Tento spotřebič není určen pro použití v domácnosti.
- Spotřebič používejte pouze k zamýšlenému účelu, pro který byl navržen, jak je popsáno v této příručce.
- Výrobce nenese odpovědnost za škody způsobené nesprávným provozem a nesprávným používáním.
- Udržujte spotřebič a elektrickou zástrčku mimo vodu a jiné kapaliny. V případě, že spotřebič spadne do vody, okamžitě vyjměte zástrčku ze zásuvky. Nepoužívejte spotřebič, dokud nebyl zkontrolován certifikovaným technikem. Nedodržení těchto pokynů způsobí život ohrožující rizika.
- Nikdy se nepokoušejte otevřít kryt spotřebiče sami.
- Nevkládejte předměty do pouzdra spotřebiče.
- Nedotýkejte se zástrčky mokřkými nebo vlhkými rukama.
- ⚡ **Nebezpečí elektrickým proudem!** Nepokoušejte se opravit spotřebič sami, opravy provádějí pouze kvalifikovaní pracovníci.
- **Nikdy nepoužívejte poškozený spotřebič!** Když je poškozen, odpojte spotřebič od zásuvky a obraťte se na prodejce.
- **Varování!** Neponořte elektrické části spotřebiče do vody nebo jiných kapalin.
- Nikdy nedržte spotřebič pod tekoucí vodou.
- Pravidelně kontrolujte napájecí zástrčku a kabel pro případné poškození. Pokud je poškozen, musí být nahrazen servisním zástupcem nebo podobně kvalifikovanou osobou, aby se zabránilo nebezpečí nebo zranění.
- Ujistěte se, že kabel nepřichází do kontaktu s ostrými nebo horkými předměty a udržujte jej mimo otevřený oheň. Nikdy nevytahujte napájecí kabel, abyste jej odpojili od zásuvky, vždy vytáhněte zástrčku.
- Ujistěte se, že napájecí kabel nebo prodlužovací kabel nezpůsobují nebezpečí výletu.
- Spotřebič během používání nenechávejte bez dozoru.
- **Varování!** Dokud je zástrčka v zásuvce, je spotřebič připojen ke zdroji napájení.
- Vypněte spotřebič před odpojením ze zásuvky.
- Napájecí zástrčku připojte ke snadno přístupné elektrické zásuvce, takže v případě nouze lze spotřebič okamžitě odpojit.
- Nikdy nenoste spotřebič za šňůru.
- Nepoužívejte žádná další zařízení, která nejsou dodávána společně se spotřebičem.
- Připojte spotřebič pouze k elektrické zásuvce s napětím a frekvencí uvedenými na štítku spotřebiče.
- Nikdy nepoužívejte jiné příslušenství než příslušenství doporučené výrobcem. Pokud tak neučiníte, mohlo by představovat bezpečnostní riziko pro uživatele a mohlo by dojít k

CZ



poškození spotřebiče. Používejte pouze originální díly a příslušenství.

- Tento spotřebič by neměl být provozován osobami se sníženými fyzickými, smyslovými nebo duševními schopnostmi ani osobami, které nemají zkušenosti a znalosti.
- Tento spotřebič by za žádných okolností neměly používat děti.
- Spotřebič a napájecí kabel uchovávejte mimo dosah dětí.
- **VAROVÁNÍ:** VŽDY vypněte spotřebič a odpojte od elektrické zásuvky před čištěním, údržbou nebo skladováním.

Zvláštní bezpečnostní předpisy

- Tento spotřebič by měl být obsluhován pouze vyškoleným personálem.
- Spotřebič nestavte na zdroj tepla (benzínový, elektrický, vařič na dřevěné uhlí apod.)
Chraňte spotřebič před horkými povrchy a otevřeným ohněm.
- Nepoužívejte spotřebič v blízkosti výbušných nebo hořlavých materiálů, kreditních karet, magnetických disků nebo rozhlasových přijímačů.
- Spotřebič provozujte vždy na rovném, stabilním, čistém, tepelně odolném a suchém povrchu.
- Nepoužívejte tento spotřebič pomocí externího časovače nebo systému dálkového ovládání.
- Nikdy neobcházejte žádné bezpečnostní zámky a spínače na spotřebiči.
- **VAROVÁNÍ:** Udržujte všechny ventilační otvory ve spotřebiči bez překážek.
- **VAROVÁNÍ:** VŽDY udržujte ruce, vlasy a oděv v bezpečné vzdálenosti od pohyblivých částí.
- Během používání ponechte kolem spotřebiče alespoň 15 cm volného prostoru pro větrání.
- **Upozornění!** Napájecí kabel ved'te bezpečně tak, aby nedošlo k jeho nechtěnému vytažení nebo kontaktu s topnou plochou.
- Neumývejte tělo spotřebiče vodou ani vodní tryskou. Mytí vodou může způsobit netěsnost, což zvyšuje riziko úrazu elektrickým proudem.
- Nečistěte ani neukládejte spotřebič, pokud není úplně vychladlý.
- Za provozu spotřebič nepřemísťujte. Při přenášení odpojte spotřebič od elektrické sítě a držte jej za spodní část.
- Nepoužívejte spotřebič bez náplně, aby nedošlo k jeho přehřátí.
- Nikdy nepoužívejte spotřebič bez nasazeného víka a otočné desky.
- Žádné díly nelze mýt v myčce nádobí.

Zamýšlené použití

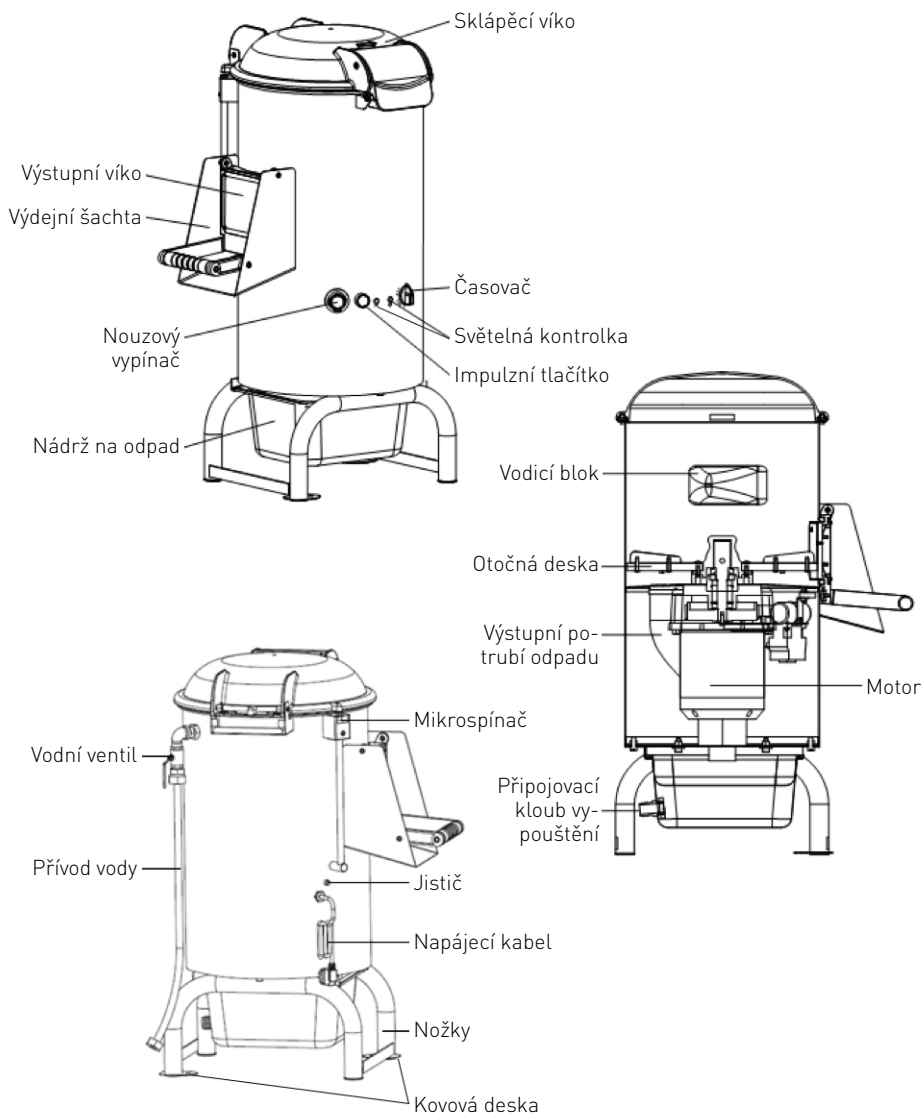
- Tento spotřebič je určený k odbornému použití a lze provozovat pouze kvalifikovaným personálem.
- Tento spotřebič je určen pouze pro loupání brambor v komerčním použití. Jakékoli jiné použití může vést k poškození přístroje nebo zranění osob.
- Použití přístroje pro jiné účely se považuje za zneužití. Uživatel nese výhradní odpovědnost za správnost používání přístroje.

Uzemňovací instalace

Tento spotřebič je klasifikován jako **třída ochrany I** a musí být připojen k ochrannému prostředku. Uzemnění snižuje riziko úrazu elektrickým proudem tím, že poskytuje únikový vodič pro elektrický

proud. Tento spotřebič je vybaven napájecím kabelem, který má uzemňovací vodič a uzemněnou zástrčku. Zástrčka musí být zapojena do zásuvky, která je správně instalována a uzemněna.

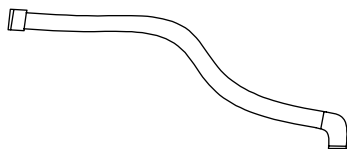
Popis produktu



Příslušenství



Dilatační šroub

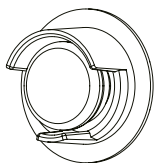


Vypouštěcí hadice
(odpadní nádrž)



Hadicová svorka

Panel ovládání



1



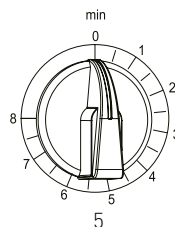
2



3



4



5

1) Nouzový vypínač

- V případě nouze (např. zablokování, abnormální vibrace nebo hluku atd.) okamžitě stiskněte tlačítko. Spotřebič se zastaví. Všechna ostatní tlačítka/spínače jsou deaktivována, dokud není nouzové tlačítko resetováno.

Poznámka: Nouzové tlačítko resetujete otočením ve směru hodinových ručiček, dokud nevyskočí do výchozí polohy.

2) Impulzní tlačítko

- Použijte k vysypání oloupaných brambor.
- Poznámka: Během loupání nestiskněte pulzní tlačítko.

3) Kontrolka zapnutí

- Kontrolka svítí, když je spotřebič připojen k elektrické síti a je zapnutý.

4) Kontrolka provozu

- Kontrolka svítí, když je motor v provozu.

5) Knoflík časovače

- Otočením knoflíku časovače nastavte požadovanou dobu provozu (0-8 minut), aby se stroj spustil.

Příprava před instalací

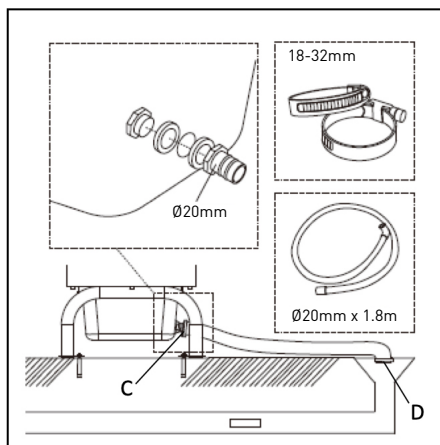
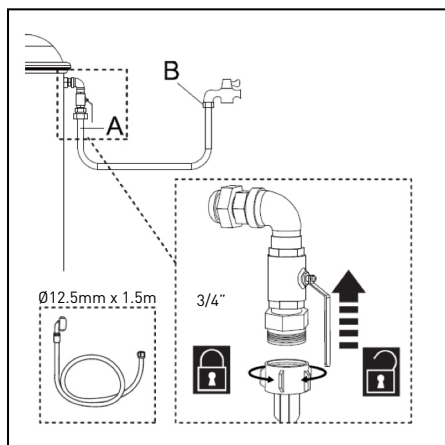
- Odstraňte a zlikvidujte obal a zabezpečení balení.
- Zkontrolujte poškození spotřebiče při přepravě. Zkontrolujte, zda jsou dodány všechny součásti. V případě neúplné dodávky (např. vypouštěcí hadice, hadicové svorky, rozpěrné šrouby) nebo poškození okamžitě kontaktujte dodavatele. Spotřebič **NEPOUŽÍVEJTE**. (viz; Záruka).
- Před použitím zařízení očistěte (viz; Čištění a údržba).
- Ujistěte se, že je zařízení zcela suché.
- Krabici uschovejte pro případ pozdější přepravy zařízení.

Instalace

- Ujistěte se, že je stroj umístěn na suchém místě a že je povrch rovný a dostatečně pevný, aby stroj unesl.
- Ujistěte se, že elektrické napájení odpovídá typovému štítku na stroji.
- Ujistěte se, že v blízkosti nejsou žádné překážky.
- **UPOZORNĚNÍ!** Nikdy neobcházejte žádné bezpečnostní zámky a spínače na spotřebiči.

- Ujistěte se, že jsou na kovových deskách (na nožičkách) namontovány rozpěrné šrouby (dodané), které spotřebič upevní.
- V každém případě je třeba při instalaci brát v úvahu všechny platné průmyslové bezpečnostní předpisy.

Připojení na vodovod a kanalizaci



CZ

1) K přívodu vody se připojte pomocí dodávané hadice (Ø12,5 mm x 150 cm) a 3/4" spojky. Postupujte následovně:

- I. Připojte hadici k vstupu na zadní straně stroje (místo A).
- II. Druhý konec hadice připojte k přívodu vody (místo B).
- III. Součástí spotřebiče je vodní ventil pro pohodlnou regulaci průtoku vody.

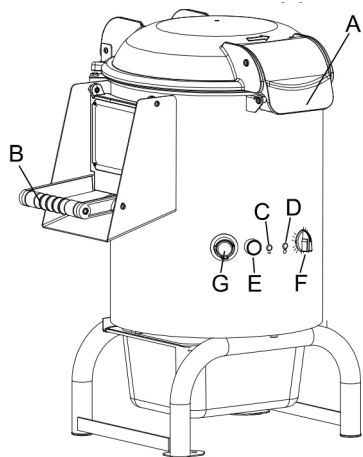
2) K odtoku vody se připojte pomocí dodávané hadice (Ø25 mm x 180 cm) a hadicových svorek. Postupujte následovně:

- I. Nasadte hadicové svorky na hadici.
- II. Připojte hadici ke kloubu odpadní nádrže (místo C) a připevněte ji hadicovými svorkami.
- III. Druhý konec vypouštěcí hadice je zasunut do odtoku (místo D).



Provoz

Upozornění: Tento spotřebič je vybaven bezpečnostním systémem, který znemožňuje provoz, pokud není víko správně umístěno.



- 1) Otevřete průhledné víko zatažením za rukojeť A, dokud nezacvakne.
- 2) Nasadte otočnou desku a vložte do nádrže zpracovávaný produkt.
- 3) Uzamkněte víko a zkontrolujte, zda jsou dvířka výstupu B uzamčena.
- 4) Připojte přívod vody a zapněte vodní ventil. Ujistěte se, že voda proudí dovnitř. (viz „Připojení na vodovod a kanalizaci“).
- 5) Zapněte síťové napájení. Rozsvítí se kontrolka zapnutí C.

Důležité

• **VAROVÁNÍ!** Nikdy nevkládejte ruce do spotřebiče když je v provozu.

- 6) Spusťte stroj otočením časovače F na požadovanou délku pracovního cyklu, rozsvítí se provozní kontrolka D.
- 7) Po uplynutí nastavené doby se stroj automaticky zastaví a kontrolka provozu zhasne.
- 8) Po přípravě nádoby otevřete výstupní dvířka B. Poté stiskněte impulzní tlačítko E pro otáčení disku. Mezitím podržte dvířka zásuvky, dokud nedostanete všechny brambory.

NEBEZPEČÍ – UPOZORNĚNÍ: Nikdy nevkládejte ruku do výstupních dvířek. Pokud dojde k nehodě, okamžitě stiskněte nouzové tlačítko.

VAROVÁNÍ! Spotřebič by neměl být provozován bez zátěže.

POZNÁMKA: Při každém cyklu odstraňte odlupovací desku a zkontrolujte, zda není ucpaná odpadní trubka.

POZNÁMKA: Spotřebič je vybaven dvěma bezpečnostními spínači.

- a) Jazyčkový spínač je vybaven magnetickým mechanismem. Spotřebič se automaticky zastaví, když je během provozu otevřeno horní nebo výstupní víko.
- b) Proudový chránič (jistič) je určen k ochraně elektrického obvodu před poškozením způsobeným nadměrným proudem v důsledku přetížení nebo zkratu. Spínač po zjištění poruchy přeruší tok proudu.

Poznámka: Chcete-li spínač resetovat, stiskněte jej po vyřešení problému.

- K seškrabávání přísad nepoužívejte dřevěné/kovové nebo plastové předměty.
- Nikdy nepoužívejte mražené brambory.

Čištění a údržba

Poznámka: Před čištěním a skladováním zařízení vždy odpojte od zdroje napájení a počkejte, až vychladne.

Čištění

- Zařízení umyjte před i po každém použití.
- Nikdy neponořujte zařízení do vody nebo jiných tekutin.
- Ochlazený vnější povrch očistěte mírně navlhčeným hadříkem nebo houbičkou s trochou jemného mýdlového roztoku.
- Ujistěte se, že jste vyčistili horní víko (včetně těsnění), výdejní šachtu a nádrží. Osušte měkkým suchým hadříkem.
- Otevřete horní víko a vyjměte loupací desku z loupací komory. Vyčistěte loupací desku a vnitřek loupací komory vhodným kartáčem. Poté je opláchněte čistou vodou.
- K čištění vnitřku a vnějšku zařízení nikdy nepoužívejte abrazivní houby nebo agresivní čisticí prostředky nebo houby z ocelové vlny nebo kovové nástroje.
- Pokud je spotřebič delší dobu v nečinnosti, nezapomeňte před použitím promazat všechny kovové části.

Skladování

- Uchovávejte zařízení na chladném, čistém a suchém místě.
- Alespoň jednou za měsíc otřete vnější část přístroje měkkým vlhkým hadříkem a případně trochou jemného čisticího prostředku.

Řešení problémů

Pokud přístroj nefunguje správně, vyhledejte možné řešení v následující tabulce. Pokud tímto způsobem nelze problém vyřešit, kontaktujte dodavatele / poskytovatele služeb.

Porucha	Možné řešení
Spotřebič se nespustí	Ujistěte se, zda je zapojen.
	Ujistěte se, zda je bezpečnostní jistič zavřený.
	Ujistěte se, že není aktivováno nouzové tlačítko.
	Pokud se problém objeví po delší době intenzivního používání, může se jednat o přehřátí motoru. Počkejte alespoň 20 minut a zkuste to znovu. Pokud spotřebič umístíte na chladné místo, zkrátíte tím dobu čekání.

CZ

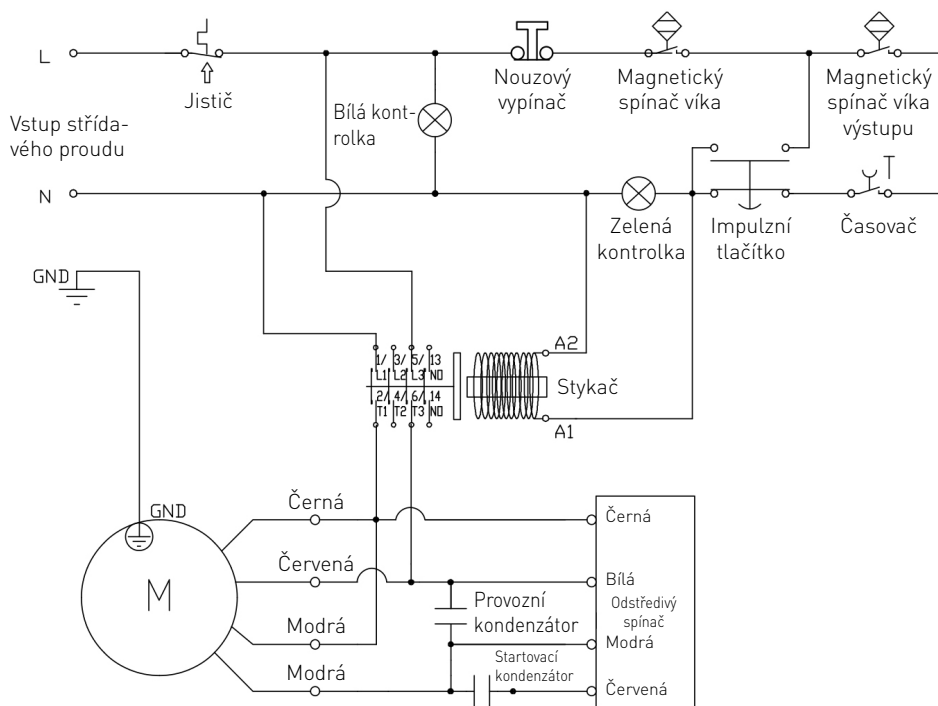


Technická specifikace

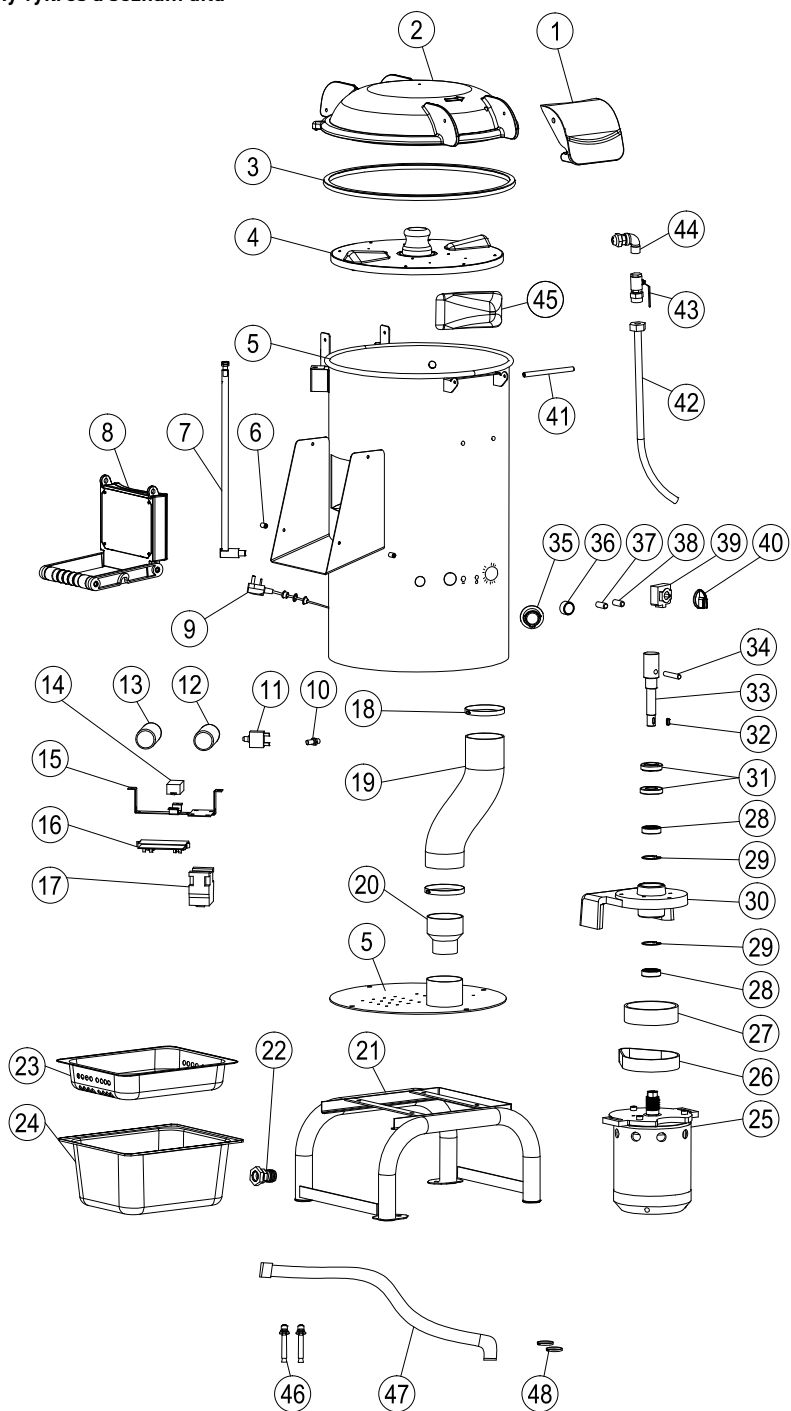
Číslo položky	229200	229217	229224
Provozní napětí a frekvence	230V- 50Hz		
Jmenovitý příkon	550W	750W	1100W
Rozměry	540x622x(h)802mm	540x622x(h)857mm	540x622x(h)997mm
Kapacita	5kg / 12L	10kg / 22L	18kg / 28L
Hladina emisního akustického tlaku A	> 70dB(A)		
Třída ochrany	Třída I		
Třída ochrany proti vodě	IP23		
Čistá hmotnost	39,2kg	39,6kg	42,4kg

Poznámka: Technická specifikace může být upravena bez předchozího upozornění.

Elektrický obvod



Zvýrazněný výkres a seznam dílů



Číslo dílu	Název dílu	Číslo dílu	Název dílu
1	Pojistná deska	25	Motor
2	Sklopěcí víko	26	Pás
3	Těsnicí kroužek	27	Kolo pásu
4	Brusný kotouč	28	6004 Ložisko
5	Válec S/S	29	Pojistný kroužek typu C
6	Vyčnívající kolík	30	Upevňovací deska motoru
7	Drátěné potrubí	31	Těsnicí kroužek
8	Výstupní víko	32	Plochý klíč
9	Napájecí kabel	33	Výstupní hřídel
10	Mikrospínač	34	Pevný polohovací kolík
11	Jistič	35	Nouzový vypínač
12	Provozní kondenzátor	36	Impulzní tlačítko
13	150uF Startovací kondenzátor	37	Bílá kontrolka
14	Odstředivý spínač	38	Zelená kontrolka
15	Držák desky plošných spojů	39	Časovač
16	Panel desky plošných spojů	40	Knoflík časovače
17	Stykač	41	Bajonetový kolík
18	Hadicová svorka	42	Hadice
19	Výstupní potrubí odpadu	43	Vodní ventil
20	Spojka výtlačného potrubí	44	Konektor typu L
21	Opěrný držák	45	Vodící blok
22	Připojovací kloub vypouštění	46	Dilatační šroub
23	Sítová nádrž	47	Vypouštěcí hadice (odpadní nádrž)
24	Nádrž na odpad	48	Hadicová svorka

Záruka

Jakákoli závada ovlivňující funkčnost spotřebiče, která se projeví do jednoho roku po zakoupení, bude opravena bezplatnou opravou nebo výměnou za předpokladu, že spotřebič byl použit a udržován v souladu s pokyny a nebyl žádným způsobem zneužíván nebo zneužit. Vaše zákonná práva nejsou dotčena. Pokud je spotřebič nárokován v záruce,

uvedte, kde a kdy byl zakoupen, a přiložte doklad o koupi (např. potvrzení).

V souladu s naší politikou neustálého vývoje produktů si vyhrazujeme právo bez předchozího upozornění měnit specifikace produktu, balení a dokumentace.

Vyřazení a životní prostředí

Při vyřazování spotřebiče z provozu nesmí být výrobek likvidován s jiným domovním odpadem. Místo toho je vaší odpovědností nakládat s odpadním zařízením tak, že je předáte určenému sběrnému místu. Nedodržení tohoto pravidla může být potrestáno v souladu s platnými předpisy o nakládání s odpady. Samostatný sběr a recyklace vašeho odpadního zařízení v době likvidace pomůže šetřit přírodní zdroje a zajistit jejich recyklaci způsobem,


který chrání lidské zdraví a životní prostředí.

Pro více informací o tom, kde můžete odložit svůj odpad k recyklaci, kontaktujte místní společnost pro sběr odpadu. Výrobci a dovozci nepřebírají odpovědnost za recyklaci, zpracování a ekologickou likvidaci, a to buď přímo, nebo prostřednictvím veřejného systému.



Dėkojame, kad įsigijote šį "Hendi" prietaisą. Atidžiai perskaitykite šį vadovą, atkreipdami ypatingą dėmesį į toliau išdėstytas saugos taisykles, prieš pirmą kartą įrengdami ir naudodami šį prietaisą.

Saugos taisyklės

- Šis prietaisas nėra skirtas naudoti buitėje.
- Prietaisą naudokite tik pagal paskirtį, pagal kurią jis buvo suprojektuotas, kaip aprašyta šiame vadove.
- Gamintojas neatsako už žalą, padarytą dėl netinkamo veikimo ir netinkamo naudojimo.
- Prietaisą ir elektros kištuką laikykite atokiau nuo vandens ir kitų skysčių. Jei prietaisas patenka į vandenį, nedelsdami išimkite maitinimo kištuką iš lizdo. Nenaudokite prietaiso tol, kol jo nepatikrins sertifikuotas technikas. Nesilaikant šių nurodymų sukels gyvybei pavojingą riziką.
- Niekada nebandykite atidaryti prietaiso korpuso patys.
- Nejunkite objektų į prietaiso korpusą.
- Nelieskite kištuko šlapiomis ar drėgnomis rankomis.
-  **Elektros smūgio pavojus!** Nebraukite patys taisyti prietaiso, remontą turi atlikti tik kvalifikuotas personalas.
- **Niekada nenaudokite pažeisto prietaiso!** Kai jis sugadintas, atjunkite prietaisą nuo lizdo ir kreipkitės į mažmenininką.
- **Įspėjimas!** Negalima panardinti prietaiso elektrinių dalių vandenyje ar kituose skysčiuose.
- Niekada nelaikykite prietaiso po tekančiu vandeniu.
- Reguliariai tikrinkite maitinimo kištuką ir laidą dėl bet kokios žalos. Jei jis sugadintas, jį turi pakeisti paslaugų agentas arba panašiai kvalifikuotas asmuo, kad būtų išvengta pavojaus ar sužalojimo.
- Įsitikinkite, kad laidas nesiliečia su aštriais ar karštais daiktais ir laikykite jį atokiau nuo atviros ugnies. Niekada traukite maitinimo laidą atjunkite jį nuo lizdo, visada traukite kištuką vietoj.
- Įsitikinkite, kad maitinimo laidas ir (arba) prailginimo laidas nekelia pavojaus kelionei.
- Niekada nepalikite prietaiso be priežiūros naudojimo metu.
- **Įspėjimas!** Tol, kol kištukas yra lizdo prietaisas yra prijungtas prie maitinimo šaltinio.
- Išjunkite prietaisą prieš atjungdami jį iš lizdo.
- Prijunkite maitinimo kištuką prie lengvai prieinamo elektros lizdo, kad avarijos atveju prietaisą būtų galima nedelsiant atjungti.
- Niekada nešiokite prietaisą laidu.
- Nenaudokite jokių papildomų prietaisų, kurie nėra tiekiami kartu su prietaisu.
- Prijunkite prietaisą tik prie elektros lizdo, kurio įtampa ir dažnis yra nurodytas prietaiso etiketeje.
- Niekada nenaudokite priedų, išskyrus tuos, kuriuos rekomenduoja gamintojas. To nepadarius, vartotojas gali kelti pavojų saugai ir gali sugadinti prietaisą. Naudokite tik originalias dalis ir priedus.

- Šio prietaiso neturėtų naudoti asmenys, turintys mažesnes fizines, jutimo ar protines galimybes, arba asmenys, neturintys patirties ir žinių.
- Šis prietaisas jokiomis aplinkybėmis neturėtų būti naudojamas vaikams.
- Laikykite prietaisą ir jo maitinimo laidą vaikams nepasiekiamoje vietoje.
- **ĮSPĖJIMAS:** VISADA išjunkite prietaisą ir atjunkite nuo maitinimo lizdo prieš valydami, prižiūrėdami ar laikydami.

Specialios saugos taisyklės

- Šią mašiną gali naudoti tik apmokytas personalas.
- Nestatykite šios mašinos ant kaitinimo šaltinių (benzinių, elektrinių, kietojo kuro viryklių ir kt.). Mašiną laikykite atokiau nuo bet kokių karštų paviršių ir atviros liepsnos.
- Nenaudokite įrenginio šalia sprogių arba degių medžiagų, kreditinių kortelių, magnetinių diskų ar radijo.
- Mašiną visuomet naudokite tik ant lygaus, stabilaus, karščiui atsparaus ir sauso paviršiaus.
- Nejunkite šios mašinos, naudodami išorinį laikmatį ar nuotolinio valdymo sistemą.
- Niekada neignorruokite jokių mašinos saugos sistemų ir jungiklių.
- **ĮSPĖJIMAS:** Visas mašinos vėdinimo angas laikykite atviras, be kliūčių.
- **ĮSPĖJIMAS:** VISADA laikykite rankas, plaukus ir drabužius atokiau nuo judančių dalių.
- Palikite bent 15 cm erdvės aplink naudojamą mašiną vėdinimo tikslais.
- **Atsargiai!** Saugiai praveskite elektros maitinimo laidą, kad apsaugotumėte nuo atsitiktinio ištraukimo iš elektros maitinimo lizdo arba sąlyčio su kaitinančiu paviršiumi.
- Neplaukite mašinos korpuso vandeniu ar vandens srautu. Plaunant vandeniu gali likti nuotėkių, kurie padidina elektros smūgio pavojų.
- Nevalykite arba nesandėliuokite įrenginio, kol jis galutinai neataušo.
- Nejudinkite veikiančios mašinos. Prieš perkeldami mašiną atjunkite nuo elektros maitinimo šaltinio ir laikykite ją už dugno.
- Nejunkite tuščios mašinos, kad išvengtumėte perkaitinimo.
- Niekada nenaudokite mašinos be dangčio ir įstatyto skutimo disko.
- Jokia dalis negali būti plaunama indaplovėje.

LT

Numatyta paskirtis

- Šis įrenginys skirtas profesionaliam naudojimui ir gali būti valdomas tik kvalifikuotų asmenų.
- Ši mašina yra sukurta tik komerciniam bulvių skutimui. Bet koks kitoks naudojimas gali apgandinti įrenginį ir sužaloti.
- Įrenginio naudojimas bet kokiems kitiems tikslams bus vertinamas kaip netinkamas įrenginio naudojimas.

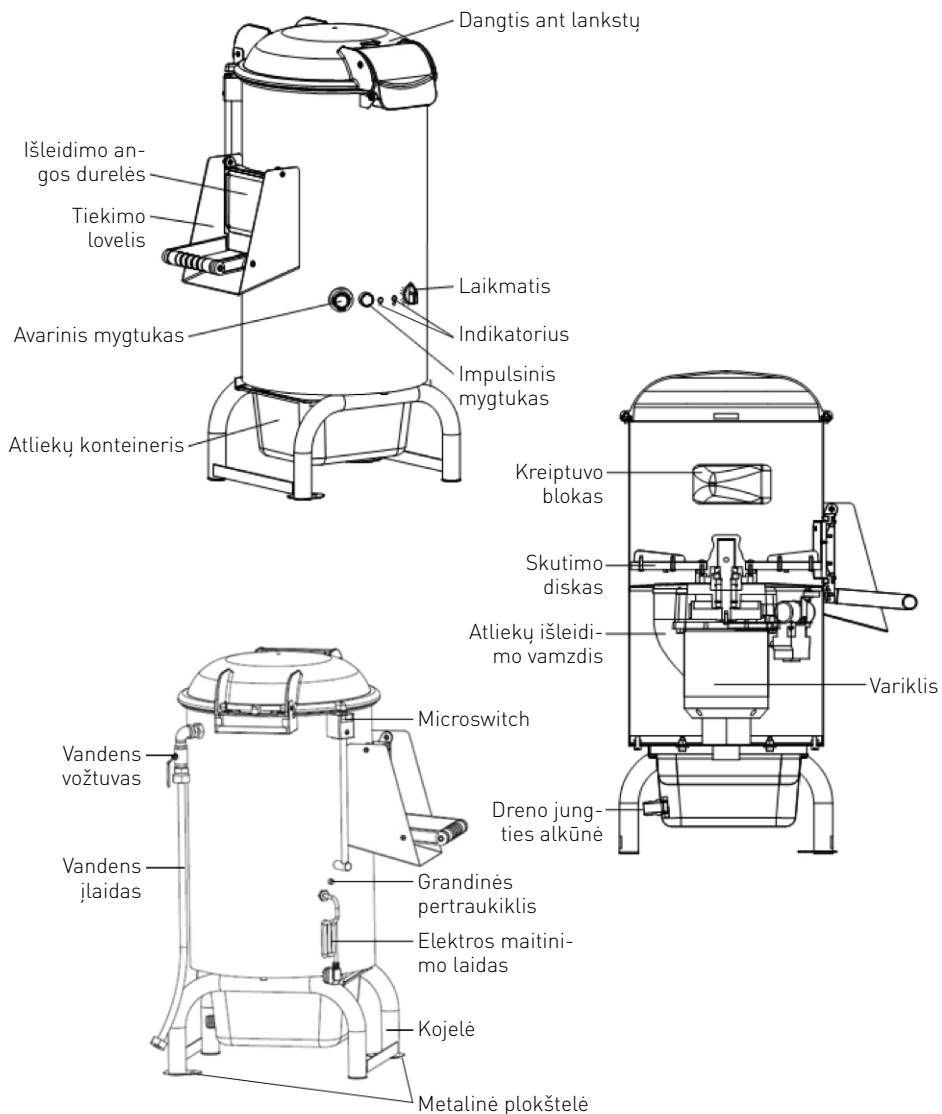
Įžeminimo įrengimas

Šis prietaisas klasifikuojamas kaip **I apsaugos klasė** ir turi būti prijungtas prie apsauginio pagrindo. Įžeminimas sumažina elektros smūgio riziką, suteikiant elektros srovės evakuavimo laidą. Šiame

prietaise yra maitinimo laidas, turintis įžeminimo laidą ir įžemintą kištuką. Kištukas turi būti prijungtas prie tinkamai sumontuoto ir įžeminto lizdo.



Gaminio aprašymas

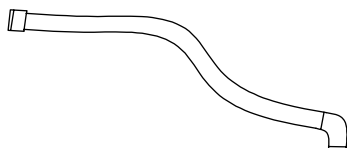


LT

Priedai



Plėtimosi varžtas



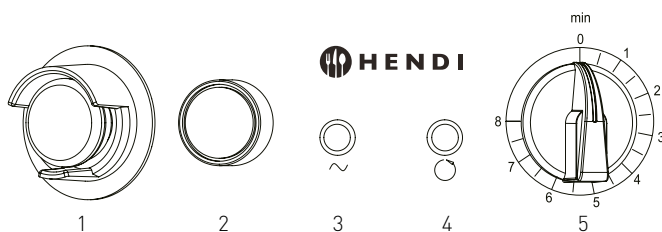
Dreno žarnelė
(Atliekų konteineris)



Žarnelės spaustukas



Valdymo pultas



1) Avarinis mygtukas

- Esant avarinei situacijai (pvz. užsikišimas, ne-normali vibracija ar triukšmas ir kt.) nedelsiant paspauskite šį mygtuką. Mašina sustabdoma. Visi kiti mygtukai ir jungikliai yra atjungiami, kol neperkraunamas avarinis mygtukas.

Pastaba: Norėdami perkrauti avarinį mygtuką, pasukite jį pagal laikrodžio rodyklę, kol jis atšoks į pradinę padėtį.

2) Impulsinis mygtukas

- Naudokite nuskustų bulvių išleidimui.

Pastaba: Nespauskite impulsinio mygtuko skutimo operacijos metu.

3) Elektros energijos indikatorius

- Indikatorius šviečia, kai mašina prijungta prie elektros maitinimo šaltinio ir įjungta.

4) Veikimo indikatorius

- Indikatorius šviečia, kai veikia variklis.

5) Laikmačio rankenėlė

- Pasukite laikmačio rankenėlę, kad nustatytumėte norimą veikimo laiką (0-8 minutės) ir paleistumėte mašiną.

Pasiruošimas prijungimui

- Pašalinkite visą apsauginę pakuotę ir plėvelę.
- Patikrinkite mašiną, ar neapgadinta transportavimo metu. Įsitinkinkite, kad pristatytas pilnas komplektas. Jei komplektas nepilnas (pvz., trūksta dreno žarnelės, žarnelės spaustukų, plėtimosi varžtų) arba yra apgadinių, nedelsiant susisiekite su tiekėju. **NENAUDOKITE** mašinos. (žr.; Garantija).

- Prieš naudojimą aparatą išplaukite (žr.; Valymas ir priežiūra).
- Įsitinkinkite, kad aparatas visiškai sausas.
- Išsaugokite pakuotę, jei ateityje ketinate sandėliuoti savo aparatą.

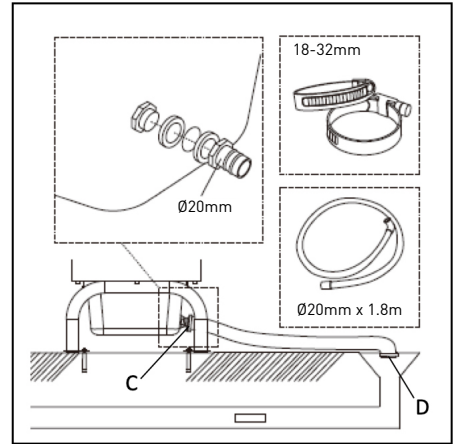
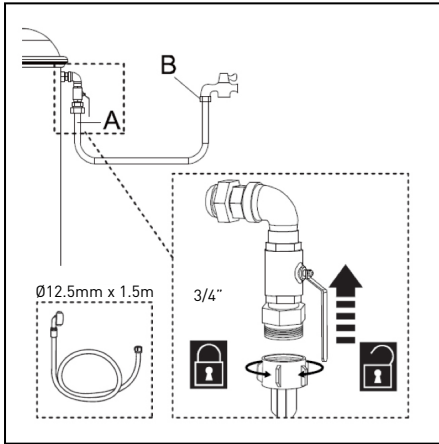
Prijungimas

- Užtikrinkite, kad mašina pastatyta sausoje vietoje ir kad paviršius yra lygus bei pakankamai tvirtas mašinai išlaikyti.
- Įsitinkinkite, kad elektros maitinimo šaltinis atitinka mašinos galią, nurodytą nominalios galio lentelėje.
- Įsitinkinkite, kad aplinkui nėra kliūčių.
- **ATSARGIAI!** Niekada neignoruokite jokių mašinos saugos sistemų ir jungiklių.

- Įsitinkinkite, kad plėtimosi varžtai (tiekami) yra įsukti į metalines plokšteles (ant kojelių) ir įtvirtina mašiną.
- Bet kuriuo atveju, prijungimas turi būti atliekamas, atsižvelgiant į galiojančius pramoninės saugos reglamentus.



Prijungimas prie vandens tiekimo ir kanalizacijos sistemų

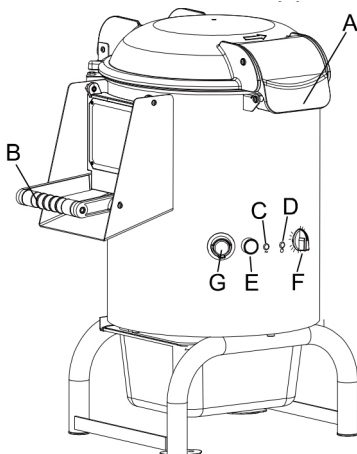


- 1) Prijunkite prie vandens tiekimo sistemos, naudodami tiekiamą žarnelę (Ø12,5mm x 150cm) ir 3/4" jungtis. Prijunkite tokiu būdu:
 - I. Prijunkite žarnelę prie vandens įvado, esančio mašinos galinėje pusėje (vieta A).
 - II. Prijunkite kitą žarnelės galą prie vandens tiekimo sistemos [vieta B].
 - III. Mašina turi vandens vožtuvą, leidžiantį patogiai kontroliuoti vandens srautą.

- 2) Prijunkite prie kanalizacijos sistemos, naudodami tiekiamą žarnelę (Ø25mm x 180cm) ir žarnelės spaustukus. Prijunkite tokiu būdu:
 - I. Uždėkite žarnelės spaustukus ant žarnelės.
 - II. Prijunkite žarnelę prie atliekų konteinerio alkūnės (vieta C) ir pritvirtinkite žarnelės spaustukais.
 - III. Kitą drenų žarnelės galą įkiškite į kanalizacijos sistemos angą (vieta D).

Naudojimas

Dėmesio: Ši mašina turi saugos sistemą, kuri neleidžia jos eksploatuoti, kol dangtis netinkamai uždarytas.



- 1) Atidarykite skaidrų dangtį, patraukę už rankenos A, kol jis spragteldama atsidarys.
- 2) Įstatykite skutimo diską ir įkraukite į konteinerį reikiamas nuskusti bulves.
- 3) Uždarykite ir užrakinkite dangtį bei įsitikinkite, kad išleidimo drelės B yra užrakintos.
- 4) Prijunkite vandens tiekimą ir atsukite vandens vožtuvą. Įsitikinkite, kad į vidų teka vanduo. (žr. „Prijungimas prie vandens tiekimo ir kanalizacijos sistemų“).
- 5) Įjunkite elektros tiekimą. Užsižiebs elektros energijos indikatorius C.
- 6) Paleiskite mašiną, pasukdami laikmatį F iki reikiamo darbo ciklo trukmės laiko, užsižiebs veikimo indikatorius D.
- 7) Kai nustatytas laikas baigiasi, mašina automatiškai sustabdoma, o veikimo indikatorius užgesa.

- 8) Paruošę konteinerį atidarykite išleidimo dureles B. Tuomet paspauskite impulsinį mygtuką E, kad pasuktumėte diską. Laikykite išleidimo dureles atidarytas, kol bus išstumtos visos bulvės.
- PAVOJUS — ATSARGIAI: Niekada nekiškite rankų pro išleidimo dureles. Jei kyla bet kokia avarinė situacija, nedelsdami spauskite avarinį mygtuką.**

ĮSPĖJIMAS! Neturėtų būti jungiama tuščia mašina.

PASTABA: Po kiekvieno ciklo išimkite skutimo diską ir patikrinkite atliekų vamzdį, ar nėra kamščio.

Svarbu

- **ĮSPĖJIMAS!** Niekada nekiškite rankų į veikiančią mašiną.

PASTABA: Mašina turi du saugos jungiklius.

- a) Saugiklis su magnetiniu mechanizmu. Mašina automatiškai sustabdoma, kai dangtis arba išleidimo durelės atidaromi veikimo metu.
- b) Apsaugos nuo elektros trikdžių saugiklis (grandinės pertraukiklis) skirtas saugoti elektros grandinę nuo sugadinimo nuo viršįtampio, kilusio dėl elektros tiekimo sistemos perkrovimo ar trumpojo jungimo. Saugiklis pertraukia elektros srovę, jei nustatoma triktis.

Pastaba: Norėdami perkrauti saugiklius, paspauskite juos, kai problema išspręsta.

Valymas ir priežiūra

Dėmesio: Prieš valymą ir saugojimą visada atjunkite aparatą nuo elektros maitinimo lizdo ir leiskite jam visiškai atvėsti.

Valymas

- Išplaukite aparatą prieš kiekvieną naudojimą ir po jo.
- Niekada nemerkite aparato į vandenį ar kitus skysčius.
- Išvalykite atvėsusį mašinos paviršių drėgna šluoste ar kempinėle su švelnaus muilo tirpalu.
- Būtinai išvalykite viršutinį dangtį (įsk. tarpiklį), tiekimo lovėlį ir konteinerius. Išsausinkite minkšta, sausa šluoste.
- Atidarykite dangtį ir išimkite skutimo diską iš skutimo kameros. Tinkamu šepetėliu išvalykite skutimo diską ir skutimo kameros vidų. Paskui išskalaukite švriu vandeniu.
- Niekada nenaudokite abrazyvinių kempinėlių ar ploviklių, plieninių ar metalinių grandiklių aparato vidinių ar išorinių dalių valymui.
- Jei mašina ilgą laiką nenaudojama, būtinai sutepkite visas metalines dalis.

Sandėliavimas

- Sandėliuokite aparatą vėsioje, švarioje ir sausose vietose.
- Bent kartą per mėnesį nušluostykite mašinos išorę minkšta drėgna šluoste, jei reikia, su švelniu plovikliu.

Gedimų lokalizavimas

Jei įrenginys netinkamai veikia, prašom paieškoti problemos sprendimo lentelėje apačioje. Jei vis tiek negalite išspręsti problemos, susisiekite su tiekėju ar aptarnaujančia įmone.

Problema	Galimas sprendimas
Mašina nepasileidžia	Įsitikinkite, kad ji prijungta prie elektros maitinimo tinklo.
	Įsitikinkite, kad saugos elektros pertraukiklis uždarytas.
	Įsitikinkite, kad avarinis mygtukas neįjungtas.
	Jei problema kyla po ilgo intensyvaus naudojimo laikotarpio, variklis gali būti perkaitęs. Palaukite bent 20 minučių ir vėl paleiskite. Jei pastatysite mašiną vėsioje vietoje, tai sutrumpins prastovą.

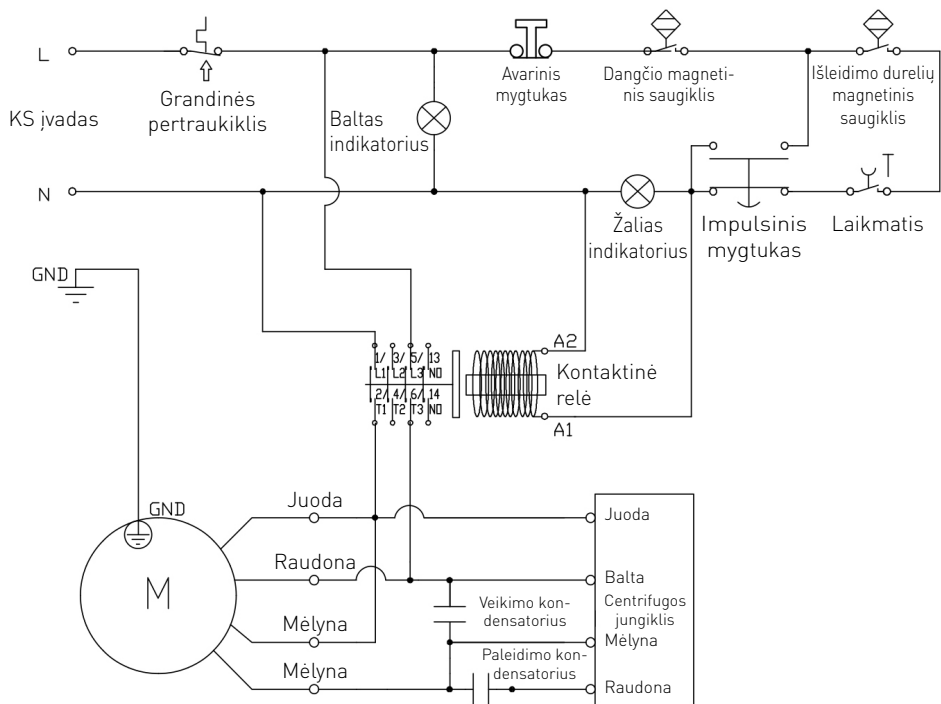


Techninė specifikacija

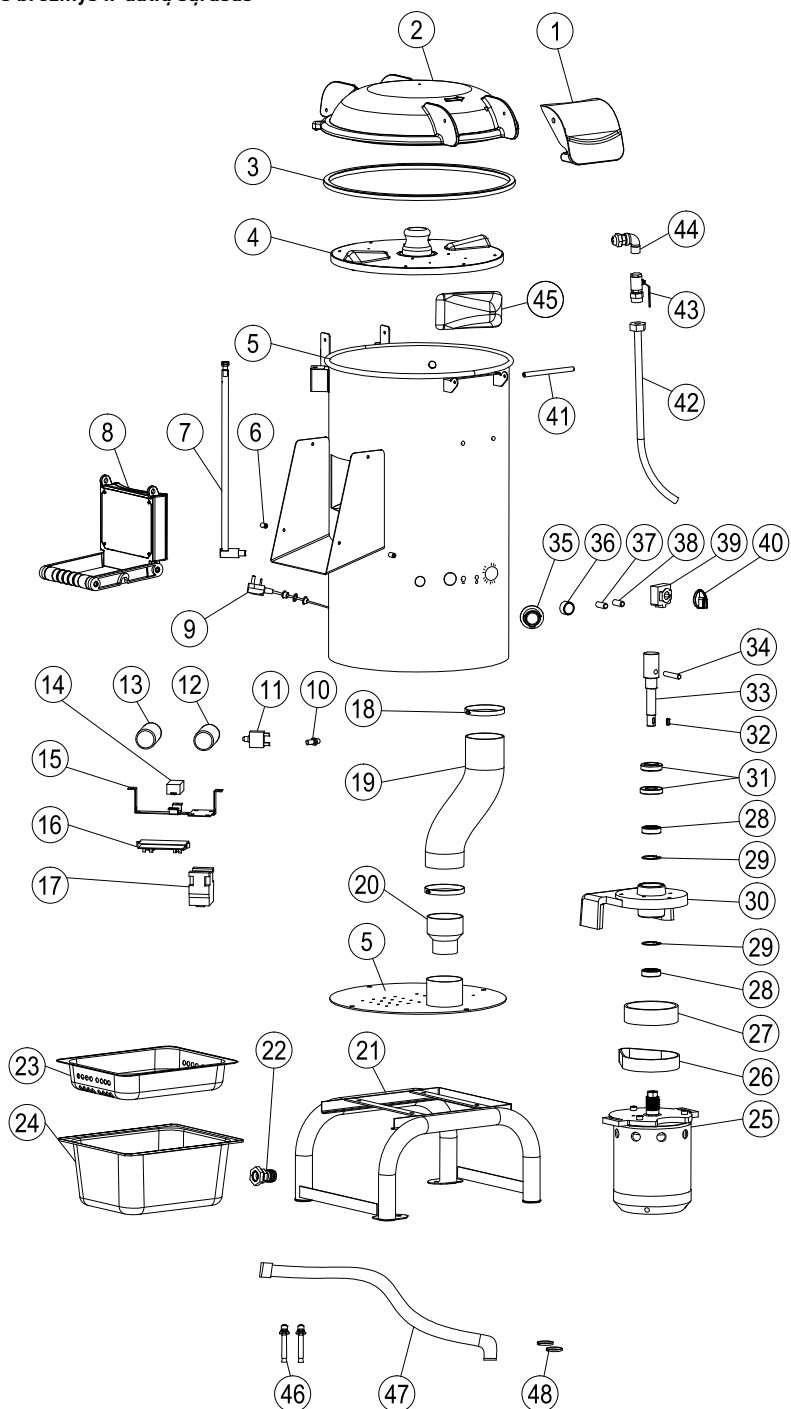
Užsakymo nr.	229200	229217	229224
Darbinė įtampa ir dažnis	230V- 50Hz		
Nominali maitinimo galia	550W	750W	1100W
Matmenys	540x622x(A)802mm	540x622x(A)857mm	540x622x(A)997mm
Galua	5kg / 12L	10kg / 22L	18kg / 28L
Išmatuotas triukšmo lygis	> 70dB(A)		
Saugos klasė	I klasė		
Atsparumo vandeniui klasė	IP23		
Grynasis svoris	39,2kg	39,6kg	42,4kg

Pastaba: Techninės specifikacijos gali būti keičiamos be išankstinio įspėjimo.

Elektros grandinė



Išskleistas brėžinys ir dalių sąrašas



LT

Dalies nr.	Dalies pavadinimas	Dalies nr.	Dalies pavadinimas
1	Užrakto plokštelė	25	Variklis
2	Dangtis su lankstais	26	Diržas
3	Tarpiklio žiedas	27	Diržo krumpliaratis
4	Skutimo diskas	28	6004 guolis
5	S/S cilindras	29	C-tipo fiksuojantis žiedas
6	Perkišamas smaigas	30	Variklio tvirtinimo plokštė
7	Laido vamzdelis	31	Tarpinės žiedas
8	Išleidimo durelės	32	Plokščias raktas
9	Elektros maitinimo laidas	33	Išleidimo velenas
10	Mikrojungiklis	34	Fiksavimo smaigas
11	Grandinės pertraukiklis	35	Avarinis mygtukas
12	Veikimo kondensatorius	36	Impulsinis mygtukas
13	150uF paleidimo kondensatorius	37	Baltas indikatorius
14	Centrifugos jungiklis	38	Žalias indikatorius
15	PCB laikiklis	39	Laikmatis
16	PCB plokštelė	40	Laikmačio rankenėlė
17	Relė	41	Tvirtinimo smaigas
18	Žarnelės spaustukas	42	Žarnelė
19	Atliekų išleidimo vamzdis	43	Vandens vožtuvas
20	Išleidimo vamzdžio jungtis	44	L tipo jungtis
21	Atraminis laikiklis	45	Kreiptuvo blokas
22	Dreno jungiamoji alkūnė	46	Plėtimosi varžtas
23	Sieto konteineris	47	Dreno žarnelė (atliekų konteineris)
24	Atliekų konteineris	48	Žarnelės spaustukas

Záruka

Jakákoli závada ovlivňující funkčnost spotřebiče, která se projeví do jednoho roku po zakoupení, bude opravena bezplatnou opravou nebo výměnou za předpokladu, že spotřebič byl použit a udržován v souladu s pokyny a nebyl žádným způsobem zneužíván nebo zneužit. Vaše zákonná práva nejsou dotčena. Pokud je spotřebič nárokován v záruce,

uvedte, kde a kdy byl zakoupen, a přiložte doklad o koupi (např. potvrzení).

V souladu s naší politikou neustálého vývoje produktů si vyhrazujeme právo bez předchozího upozornění měnit specifikace produktu, balení a dokumentace.

Vyřazení a životní prostředí

Při vyřazování spotřebiče z provozu nesmí být výrobek likvidován s jiným domovním odpadem. Místo toho je vaší odpovědností nakládat s odpadním zařízením tak, že je předáte určenému sběrnému místu. Nedodržení tohoto pravidla může být potrestáno v souladu s platnými předpisy o nakládání s odpady. Samostatný sběr a recyklace vašeho odpadního zařízení v době likvidace pomůže šetřit přírodní zdroje a zajistit jejich recyklaci způsobem,

který chrání lidské zdraví a životní prostředí.

Pro více informací o tom, kde můžete odložit svůj odpad k recyklaci, kontaktujte místní společnost pro sběr odpadu. Výrobci a dovozci nepřebírají odpovědnost za recyklaci, zpracování a ekologickou likvidaci, a to buď přímo, nebo prostřednictvím veřejného systému.







Declaration of conformity/ Konformitätserklärung/ Conformanceverklaring/ Deklaracja Zgodności/ Déclaration de conformité/ Dichiarazione di conformità/ Declarație de conformitate/ Декларация соответствия/ Δήλωση συμμόρφωσης

Hendi BV hereby declares under his own responsibility that the product:/ Hendi BV erklärt unter seiner alleinigen Verantwortung, dass Produkte:/ Hendi BV verklaart hierbij, onder eigen verantwoordelijkheid, dat de producten:/ Hendi BV oświadcza, na swoją wyłączną odpowiedzialność, że poniższe produkty:/ Hendi BV déclare, sous sa seule responsabilité, que les produits suivants:/ Hendi BV dichiara, sotto la sua esclusiva responsabilità, che i seguenti prodotti:/ Hendi BV declară pe propria răspundere că produsele:/ Hendi BV заявляет с полной ответственностью, что следующие продукты:/ Hendi BV δηλώνει με δική της ευθύνη ότι τα προϊόντα:

Product number: / Produktnummer: / Productnummer: / Kod Produktu: /
Code produit: / Codice prodotto: / Numărul: / Код Продукта: / Αριθμός προϊόντος:

229200, 229217

Product name: / Produktname: / Productomschrijving: / Nazwa Produktu: /
Nom du produit: / Nome del prodotto: / Denumirea produsului: / Название
Продукта: / Ονομασία προϊόντος:

Potato peeler / Kartoffelschäler / Aardappelschilmachines / Oberacciai
do ziemniaków / Eplucheuse de pommes de terre / Pelapatate / Maşini
curăţat cartofi / Картофелечистки / Αποφλοιωτές πατάας

Brand: / Marke: / Merk: / Marka: / Marque: / Marchio: / Brand: / Марка: / Мάρκα:

Hendi

Meets the essential requirements as described in: /

Erfüllt die Anforderungen wie beschrieben in: /

Voldeet aan de essentiële vereisten zoals beschreven in: /

Spełnia wymagania zasadnicze określone w następujących dyrektywach: /

2006/42/EC

Répond aux exigences essentielles définies dans les directives suivantes: /

2014/30/EU

Il prodotto soddisfa i requisiti essenziali stabiliti nelle seguenti direttive: /

2011/65/EU & 2015/863/EU

Îndeplineşte cerinţele esenţiale descrise în: /

Соответствует основным требованиям, записанным в следующих директивах: /

Πληροί τις βασικές απαιτήσεις όπως περιγράφεται στο:

Has been engineered and manufactured in conformity to harmonized standards: /

Wurde in Übereinstimmung mit harmonisierten Normen entwickelt und hergestellt: /

EN 55014-1:2017

Is ontwikkeld en vervaardigd in overeenstemming met geharmoniseerde normen: /

EN 55014-2:2015

Został zaprojektowany i wykonany zgodnie z normami zharmonizowanymi: /

EN 61000-3-2:2014

Il a été conçu et fabriqué selon des normes harmonisées: /

EN 61000-3-11:2000

Il prodotto è stato progettato e realizzato secondo standard armonizzati: /

EN 60204-1:2006+ A1:2009/AC:2010

A fost proiectat și fabricat în conformitate cu standardele în vigoare: /

EN ISO 12100:2010

Спроектирован и сделан в соответствии с согласованными стандартами: /

EN 13208:2003+ A1:2010

Έχει σχεδιαστεί και κατασκευαστεί σύμφωνα με τα εναρμονισμένα πρότυπα:

Meets the requirements as described in regulations: /

Erfüllt die Anforderungen wie beschrieben in: /

Voldeet aan de eisen zoals beschreven in verordening: /

1907/2006/EC

Spełnia wymagania określone w rozporządzeniach: /

1935/2004/EC

Répond aux exigences énoncées dans les règlements: /

10/2011/EU

Il prodotto soddisfa i requisiti specificati nelle normative: /

Îndeplineşte cerinţele descrise în regulament: /

Соответствует требованиям, записанным в декретах: /

Πληροί τις απαιτήσεις όπως περιγράφονται στους κανονισμούς:

Technical documentation available at the company's headquarters: /

Technische Dokumentation am Hauptsitz: /

Technische documentatie beschikbaar op het hoofdkantoor: /

Dokumentacja techniczna dostępna w siedzibie firmy: /

Hendi B.V.

Documentation technique disponible au siège de l'entreprise: /

Innovatielaan 6

Documentazione tecnica disponibile presso la sede dell'azienda: /

6745 XW De Klomp, The Netherlands

Documentația tehnică este disponibilă la sediul companiei: /

Техническая документация доступна в главном офисе компании: /

Η τεχνική τεκμηρίωση είναι διαθέσιμη στα κεντρικά γραφεία της εταιρείας:

De Klomp, 13-07-2021

R.E. Vooijs
Purchasing Manager

Deklaracja zgodności / Declaration of conformity / Declaratie de conformitate / Декларация соответствия / Prohlášení o shodě / Atitikties deklaracija

Firma Hendi Polska Sp. z o.o. niniejszym oświadcza na własną odpowiedzialność, że produkt: / Hendi Polska Sp. z o.o. hereby declares under his own responsibility that the product: / Hendi Polska Sp. z o.o. declară pe propria răspundere că produsul: / Hendi Polska Sp. z o.o. настоящим заявляет под свою ответственность, что продукт: / Společnost Hendi Polska Sp. z o.o. tímto prohlašuje na svou výhradní odpovědnost, že výrobek: / Čia Hendi BV patvirtina, prisiimdama atsakomybę, kad šis gaminys:

Numer produktu: / Product number: / Numărul produsului: / Номер продукта: /
Číslo výrobku: / Gaminio numeris:

229224

Nazwa produktu: / Product name: / Numele produsului: / Наименование товара: /
Název výrobku: / Gaminio pavadinimas:

Oberaczkci do ziemniaków / Potato peeler / Maşini curăţat cartofi /
Картофелечистки / Škrabka na brambory / Bulviaskutės

Marka: / Brand: / Marca: / Марка: / Značka: / Prekės ženklas:

Hendi

Spetnia podstawowe wymagania opisane w: /
Meets the essential requirements as described in: /

2006/42/EC

Îndeplineşte cerinţele esenţiale describe în: /

2014/30/EU

Отвечает основным требованиям, описанным в: /

2011/65/EU & 2015/863/EU

Splňuje základní požadavky popsané v: /

Atitinka esminius reikalavimus, aprašytus:

Został zaprojektowany i wyprodukowany zgodnie z normami zharmonizowanymi: /
Has been engineered and manufactured in conformity to harmonized standards: /

EN 55014-1:2017

EN 55014-2:2015

EN 61000-3-2:2014

EN 61000-3-11:2000

EN 60204-1:2006+ A1:2009/AC:2010

EN ISO 12100:2010

EN 13208:2003+ A1:2010

A fost proiectat și fabricat în conformitate cu standardele armonizate: /

Был разработан и изготовлен в соответствии с гармонизированными стандартами: /

Byl navržen a vyroben v souladu s harmonizovanými normami: /

buvo sukonstruotas ir pagamintas, laikantis harmonizuotų standartų:

Spetnia wymagania opisane w przepisach: /

1907/2006/EC

Meets the requirements as described in regulations: /

1935/2004/EC

Îndeplineşte cerinţele describe în reglementări: /

10/2011/EU

Отвечает требованиям, изложенным в нормах: /

2023/2006/EC

Splňuje požadavky stanovené v předpisech: /

Atitinka reikalavimus, aprašytus reglamentuose:

Dokumentacja techniczna dostępna w siedzibie firmy: /

Technical documentation available at the company's headquarters: /

Documentație tehnică disponibilă la sediul companiei: /

Техническая документация доступна в штаб-квартире компании: /

Technická dokumentace k dispozici v sídle společnosti: /

Techninė dokumentacija prieinama kompanijos būstinėje:

Hendi Polska Sp. z o.o., ul.
Firmowa 12, 62-023 Robakowo,
Polska

62-023 Robakowo, 13-07-2021

COE Maksymilian Kultys





HENDI

Tools for Chefs

Hendi B.V.

Innovatielaan 6
6745 XW De Klomp, The Netherlands
Tel: +31 317 681 040
Email: info@hendi.eu

Hendi Polska Sp. z o.o.

ul. Firmowa 12
62-023 Robakowo, Poland
Tel: +48 61 658 7000
Email: info@hendi.pl

Hendi Food Service Equipment GmbH

Ehring 15
5112 Lamprechtshausen, Austria
Tel: +43 6274 200 10 0
Email: office.austria@hendi.eu

Hendi Food Service Equipment Romania S.R.L.

Str. 13 decembrie 94A, Hala 14
Braşov, 500164, Romania
Tel: +40 268 320330
Email: office@hendi.ro

PKS Hendi South East Europe SA

5 Metsovou Str.
18346 Moschato, Athens, Greece
Tel: +30 210 4839700
Email: info@pks-hendi.com

Hendi Italia S.R.L.

Via Leonardo da Vinci 4
39100 Bolzano (BZ), Italy
Tel: +39 800 727 438
Email: office.italy@hendi.eu

Hendi HK Ltd.

1208, 12/F Exchange Tower
33 Wang Chiu Road, Kowloon Bay, Hong Kong
Tel: +852 2154 2618
Email: info-hk@hendi.eu

Find Hendi on internet:

www.hendi.eu
www.facebook.com/HendiToolsforChefs
www.linkedin.com/company/hendi-food-service-equipment-b.v.
www.youtube.com/HendiEquipment

- Changes, printing and typesetting errors reserved.
- Änderungen, Druck- und Satzfehler vorbehalten.
- Wijzigingen, druk- en zetfouten voorbehouden.
- Zastrzeżenie możliwości zmian, błędów w druku i składowaniu.
- Sous réserve d'erreurs de modification, d'impression et de composition.
- Con riserva di modifiche, errori di stampa e composizione.
- Rezervate modificările, tipărirea și erorile de tipărire.

- Мы оставляем за собой право вносить изменения, ошибки печати и набора.
- Επιφυλάσσονται αλλαγές, εκτύπωση και στοιχειοθεσία.
- Změny, chyby tisku a sazby vyhrazeny.
- A változtatások, a nyomtatási és a betűzési hibák fenntartva.
- Šios instrukcijos gali būti keičiamos, jose taip pat gali pasitaikyti spausdinimo klaidų.